



Chipsmall Limited consists of a professional team with an average of over 10 year of expertise in the distribution of electronic components. Based in Hongkong, we have already established firm and mutual-benefit business relationships with customers from,Europe,America and south Asia,supplying obsolete and hard-to-find components to meet their specific needs.

With the principle of “Quality Parts,Customers Priority,Honest Operation,and Considerate Service”,our business mainly focus on the distribution of electronic components. Line cards we deal with include Microchip,ALPS,ROHM,Xilinx,Pulse,ON,Everlight and Freescale. Main products comprise IC,Modules,Potentiometer,IC Socket,Relay,Connector.Our parts cover such applications as commercial,industrial, and automotives areas.

We are looking forward to setting up business relationship with you and hope to provide you with the best service and solution. Let us make a better world for our industry!



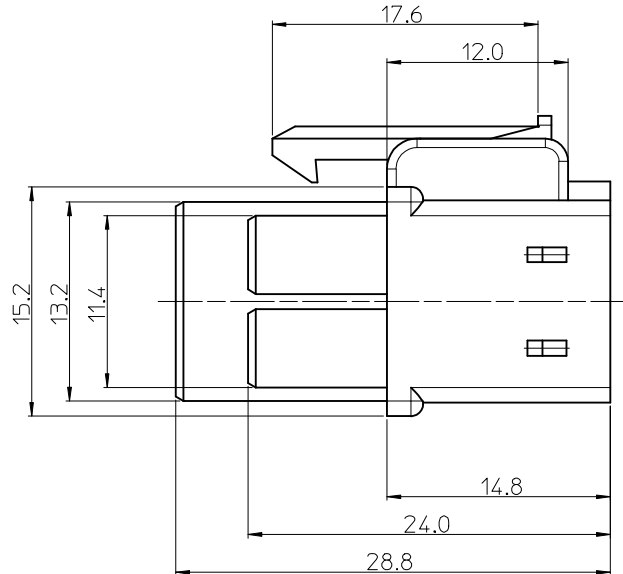
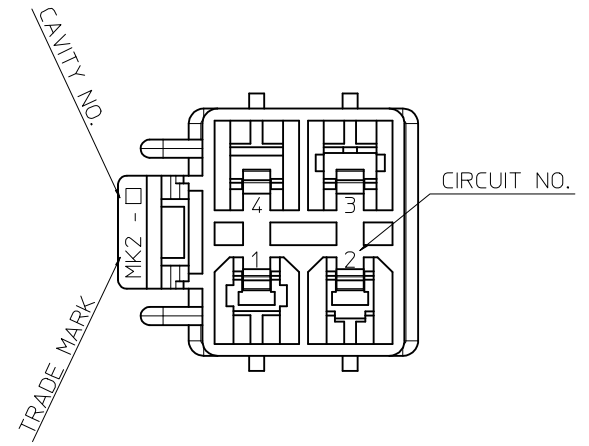
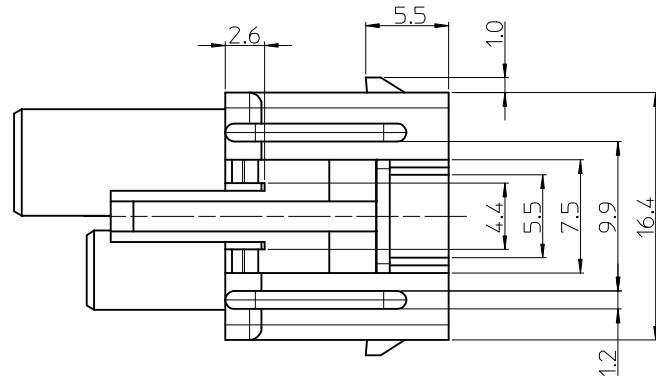
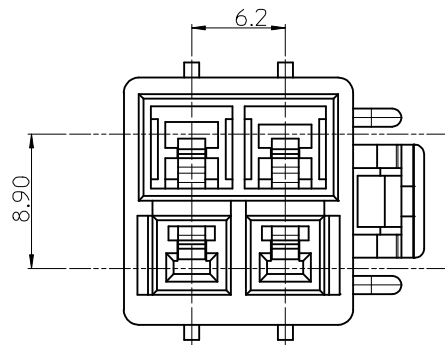
Contact us

Tel: +86-755-8981 8866 Fax: +86-755-8427 6832

Email & Skype: info@chipsmall.com Web: www.chipsmall.com

Address: A1208, Overseas Decoration Building, #122 Zhenhua RD., Futian, Shenzhen, China





NOTES

(1) 1. MATERIAL : SEE TABLE

N	PRODUCT		MATERIAL	
	PART NO	MATERIAL NO	COLOR	DESCRIPTION
1	35151-0410	351510410	NATURAL	PBT UL94V-0
2	35151-0412	351510412	RED	
3	35151-0413	351510413	YELLOW	
4	35151-0414	351510414	BLUE	

2. MATED HOUSING : 35150-40*/41*

3 . APPLICATION TERMINAL : 35745 - **** (3CKT)
 35746 - **** (1CKT)
 35747 - **** (4CKT)
 35748 - **** (2CKT)

4. APPLICABLE T.P.A : 35150 - 029*

REVISED EC NO: KOR2016-0061 DRWN: SCHONG03 2016/01/04 CHKD: SHCHU 2016/01/04 APPR: YSKIM02 2016/03/03	QUALITY SYMBOLS	GENERAL TOLERANCES (UNLESS SPECIFIED)	DIMENSION STYLE	SCALE	DESIGN UNITS	THIRD ANGLE PROJECTION															
	$\nabla = 0$ $\square = 0$	<table border="1"> <tr> <th></th> <th>mm</th> <th>INCH</th> </tr> <tr> <td>4 PLACES</td> <td>± ---</td> <td>± ---</td> </tr> <tr> <td>3 PLACES</td> <td>± ---</td> <td>± ---</td> </tr> <tr> <td>2 PLACES</td> <td>± 0.3</td> <td>± ---</td> </tr> <tr> <td>1 PLACE</td> <td>± 0.3</td> <td>± ---</td> </tr> </table>		mm	INCH	4 PLACES	± ---	± ---	3 PLACES	± ---	± ---	2 PLACES	± 0.3	± ---	1 PLACE	± 0.3	± ---	MM ONLY		METRIC	
		mm	INCH																		
	4 PLACES	± ---	± ---																		
3 PLACES	± ---	± ---																			
2 PLACES	± 0.3	± ---																			
1 PLACE	± 0.3	± ---																			
REV	DESCRIPTION	ANGULAR ± 1° DRAFT WHERE APPLICABLE MUST REMAIN WITHIN DIMENSIONS	DRAWN BY SK.HAN CHECKED BY WY.YANG APPROVED BY EH. JUNG MATERIAL NO. SEE TABLE	DATE 2008/01/08 DATE 2008/01/08 DATE 2008/01/08	TITLE 6.2 PITCH W/W FEMALE HSG-4P	MOLEX INCORPORATED DOCUMENT NO. SD-35151-0410															
11			SIZE A3	THIS DRAWING CONTAINS INFORMATION THAT IS PROPRIETARY TO MOLEX INCORPORATED AND SHOULD NOT BE USED WITHOUT WRITTEN PERMISSION		SHEET NO. 1 OF 01															