



Chipsmall Limited consists of a professional team with an average of over 10 year of expertise in the distribution of electronic components. Based in Hongkong, we have already established firm and mutual-benefit business relationships with customers from,Europe,America and south Asia,supplying obsolete and hard-to-find components to meet their specific needs.

With the principle of “Quality Parts,Customers Priority,Honest Operation,and Considerate Service”,our business mainly focus on the distribution of electronic components. Line cards we deal with include Microchip,ALPS,ROHM,Xilinx,Pulse,ON,Everlight and Freescale. Main products comprise IC,Modules,Potentiometer,IC Socket,Relay,Connector.Our parts cover such applications as commercial,industrial, and automotives areas.

We are looking forward to setting up business relationship with you and hope to provide you with the best service and solution. Let us make a better world for our industry!



## Contact us

Tel: +86-755-8981 8866 Fax: +86-755-8427 6832

Email & Skype: info@chipsmall.com Web: www.chipsmall.com

Address: A1208, Overseas Decoration Building, #122 Zhenhua RD., Futian, Shenzhen, China



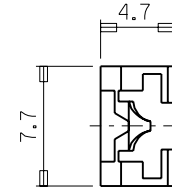
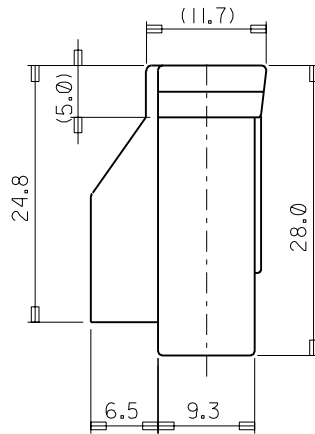
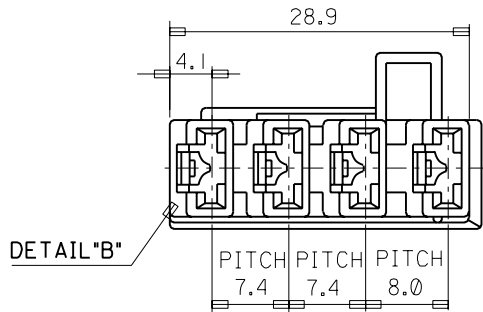
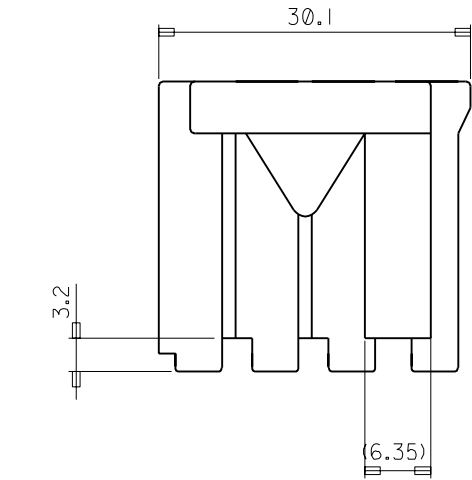
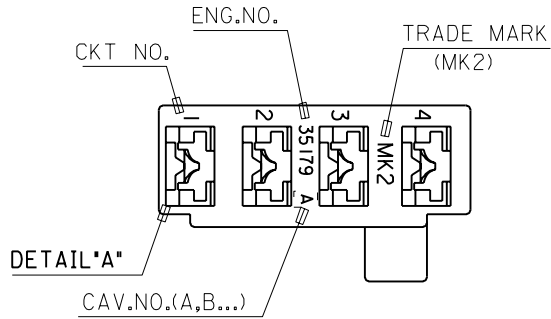
DO NOT SCALE DRAWING  
DIMENSION IN METRIC

B

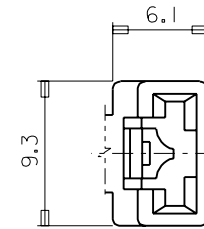
PROJECT NO.

SIMILAR ITEM

DWG. NO.  
SD-35179-002



DETAIL "A"



DETAIL "B"

NOTES

1. MATERIA : POLYESTER(PBT) , UL94V-0
2. APPLICABLE TERMINALS : 35725-40\*0  
35725-41\*0  
35725-42\*0
3. APPLICATION : DEFROST TIMER

REVISED	ECN NO. KOR2002-0061 DRWN: W.Y.YANG 02/01/14	QUALITY SYMBOLS MAJOR CRITICAL	GENERAL TOLERANCES: (UNLESS SPECIFIED)		SCALE 2:1	DESIGN UNITS <input checked="" type="checkbox"/> mm <input type="checkbox"/> INCH	THIRD ANGLE PROJECTION	DIMENSIONS: <input type="checkbox"/> mm <input type="checkbox"/> INCH <input checked="" type="checkbox"/> mm ONLY		SHT	REV	
			4 PLACES	±0.	±.	DRAWN BY & DATE W.Y.YANG 94/12/01	TITLE: <b>.250 W/B HOUSING-4P</b>				REVISE ON CAD ONLY	
DI	CHK: APPR:	DESCRIPTION	3 PLACES	±0.	±.	CHECKED BY & DATE B.K.CHOI 94/12/01	MOLEX INCORPORATED					
			2 PLACES	±0.30	±.	APPROVED BY & DATE C.W.LEE 94/12/01	CAD FILENAME S35179AB.DGN	MATERIAL NO. 351790480	DRAWING NO. SD-35179-002	SHEET NO. 1 OF 1	SIZE B	
			1 PLACE	±0.30	±.	ANGULAR: ± °		THIS DRAWING CONTAINS INFORMATION THAT IS PROPRIETARY TO MOLEX INCORPORATED AND SHOULD NOT BE USED WITHOUT WRITTEN PERMISSION.			KOREA	MX-A3
DRAFT WHERE APPLICABLE MUST REMAIN WITHIN DIMENSIONS												

8

7

6

5

4

3

2

KOREA

MX-A3