



Chipsmall Limited consists of a professional team with an average of over 10 year of expertise in the distribution of electronic components. Based in Hongkong, we have already established firm and mutual-benefit business relationships with customers from,Europe,America and south Asia,supplying obsolete and hard-to-find components to meet their specific needs.

With the principle of “Quality Parts,Customers Priority,Honest Operation,and Considerate Service”,our business mainly focus on the distribution of electronic components. Line cards we deal with include Microchip,ALPS,ROHM,Xilinx,Pulse,ON,Everlight and Freescale. Main products comprise IC,Modules,Potentiometer,IC Socket,Relay,Connector.Our parts cover such applications as commercial,industrial, and automotives areas.

We are looking forward to setting up business relationship with you and hope to provide you with the best service and solution. Let us make a better world for our industry!



Contact us

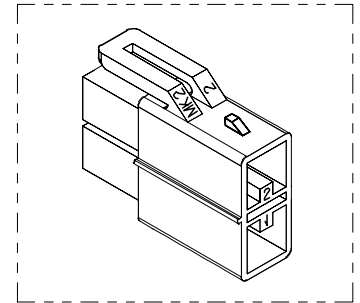
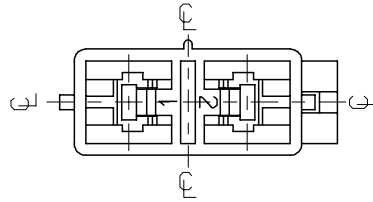
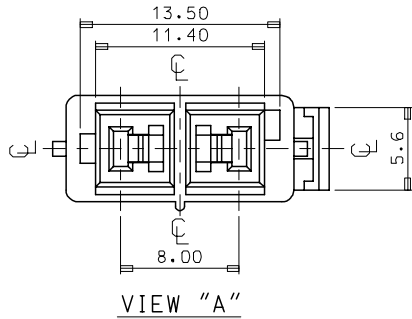
Tel: +86-755-8981 8866 Fax: +86-755-8427 6832

Email & Skype: info@chipsmall.com Web: www.chipsmall.com

Address: A1208, Overseas Decoration Building, #122 Zhenhua RD., Futian, Shenzhen, China

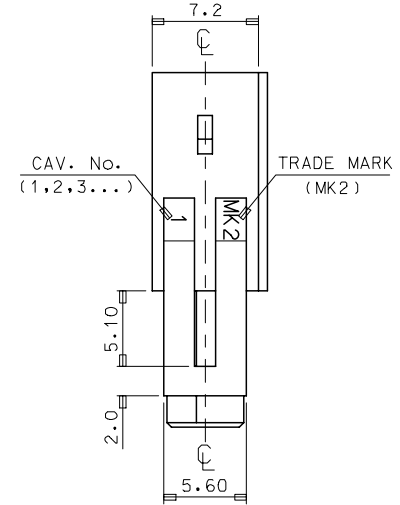
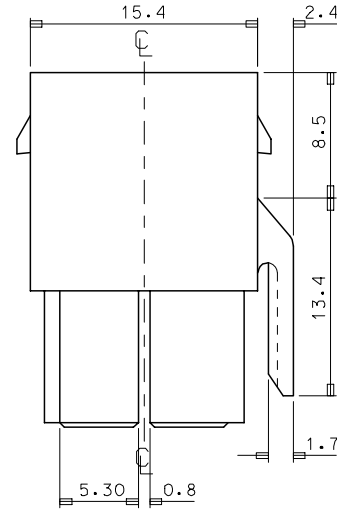
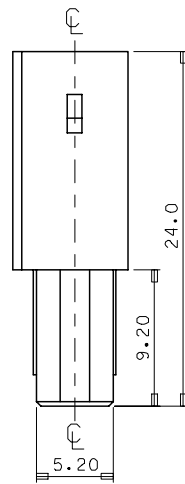


10 9 8 7 6 5 4 3 2 1



NOTES

1. MATERIAL & COLOR : SEE TABLE
2. MATCHED HOUSING : 35180-040*
35180-060*
3. APPLICABLE TERMINAL : 35746-0*10
4. APPLICABLE T.P.A : 35182-019*



| NO | PRODUCT | | MATERIAL | |
|----|------------|-------------|----------|-----------------|
| | PART NO | MATERIAL NO | COLOR | DESCRIPTION |
| 1 | 35181-0200 | 351810200 | NATURAL | PBT |
| 2 | 35181-0204 | 351810204 | BLUE | (UL94V-0) |
| 3 | 35181-0209 | 351810209 | NATURAL | PBT/PC(UL94V-0) |

REVISED
 EC NO: KOR2008-0078
 DRWN: JHPARK01 2007/09/10
 CHKD: WY. YANG 2007/09/10
 APPR: YUNSIKKIM 2007/09/10

QUALITY SYMBOLS
 ▽=0
 ▽=0

↑ "A"

| GENERAL TOLERANCES (UNLESS SPECIFIED) | |
|---------------------------------------|-------------|
| | mm INCH |
| 4 PLACES | ± --- ± --- |
| 3 PLACES | ± --- ± --- |
| 2 PLACES | ± --- ± --- |
| 1 PLACE | ± 0.3 ± --- |
| ANGULAR ± 1 ° | |

DRAFT WHERE APPLICABLE MUST REMAIN WITHIN DIMENSIONS

DIMENSION STYLE
 MM ONLY

DRAWN BY
 JS. KANG

CHECKED BY

APPROVED BY

MATERIAL NO.

SIZE
 A3

SCALE
 3:1

DESIGN UNITS
 METRIC

THIRD ANGLE PROJECTION

TITLE
 .070 MULTI W/W CONN
 FEMALE HSG-2P(A)

MOLEX INCORPORATED

DOCUMENT NO.
 SD-35181-020*

SHEET NO.
 1 OF 01

THIS DRAWING CONTAINS INFORMATION THAT IS PROPRIETARY TO MOLEX INCORPORATED AND SHOULD NOT BE USED WITHOUT WRITTEN PERMISSION

9 8 7 6 5 4 3 2 1