



Chipsmall Limited consists of a professional team with an average of over 10 year of expertise in the distribution of electronic components. Based in Hongkong, we have already established firm and mutual-benefit business relationships with customers from,Europe,America and south Asia,supplying obsolete and hard-to-find components to meet their specific needs.

With the principle of “Quality Parts,Customers Priority,Honest Operation,and Considerate Service”,our business mainly focus on the distribution of electronic components. Line cards we deal with include Microchip,ALPS,ROHM,Xilinx,Pulse,ON,Everlight and Freescale. Main products comprise IC,Modules,Potentiometer,IC Socket,Relay,Connector.Our parts cover such applications as commercial,industrial, and automotives areas.

We are looking forward to setting up business relationship with you and hope to provide you with the best service and solution. Let us make a better world for our industry!



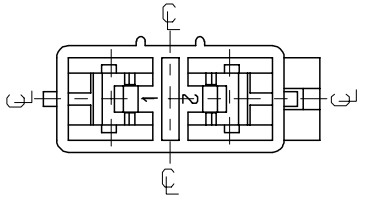
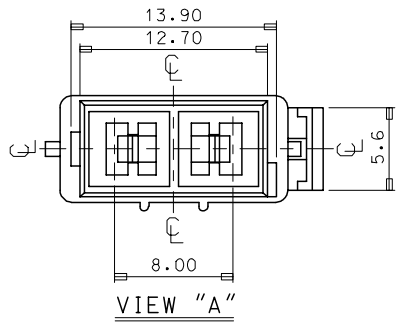
## Contact us

Tel: +86-755-8981 8866 Fax: +86-755-8427 6832

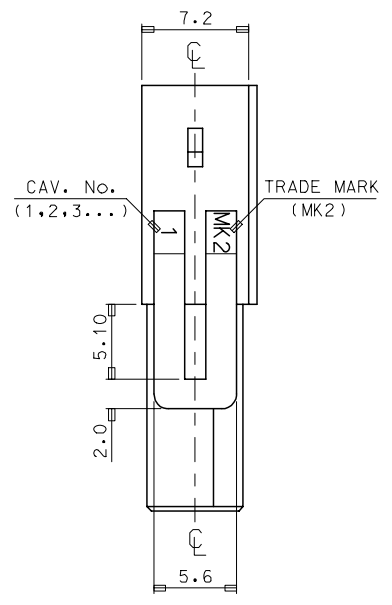
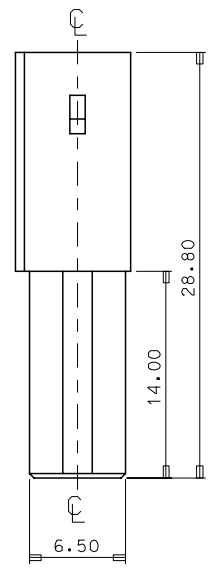
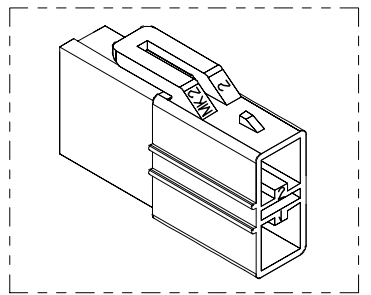
Email & Skype: info@chipsmall.com Web: www.chipsmall.com

Address: A1208, Overseas Decoration Building, #122 Zhenhua RD., Futian, Shenzhen, China





- NOTES
1. MATERIAL & COLOR : SEE TABLE
  2. MATCHED HOUSING : 35180-040\*  
35180-060\*
  3. APPLICABLE TERMINAL : 35745-0\*10
  4. APPLICABLE T.P.A : 35182-019\*



NO	PRODUCT		MATERIAL	
	PART NO	MATERIAL NO	COLOR	DESCRIPTION
1	35181-0210	351810210	NATURAL	PBT
2	35181-0214	351810214	BLUE	(UL94V-0)
3	35181-0219	351810219	NATURAL	PBT/PC(UL94V-0)

REVISED  
 EC NO: KOR2008-0048  
 DRWN: JHPARK01 2007/09/10  
 CHKD: W. YANG 2007/09/10  
 APPR: YUNSIKKIM 2007/09/10

QUALITY SYMBOLS  
 = 0  
 = 0

GENERAL TOLERANCES (UNLESS SPECIFIED)

	mm	INCH
4 PLACES	± ---	± ---
3 PLACES	± ---	± ---
2 PLACES	± ---	± ---
1 PLACE	± 0.3	± ---
ANGULAR ± 1 °		

DRAFT WHERE APPLICABLE  
 MUST REMAIN WITHIN DIMENSIONS

DIMENSION STYLE  
 MM ONLY

DRAWN BY  
 JS. KANG

CHECKED BY  
 DATE

APPROVED BY  
 DATE

MATERIAL NO.  
 SEE TABLE

SIZE  
 A3

SCALE  
 3:1

DESIGN UNITS  
 METRIC

THIRD ANGLE PROJECTION

.070 MULTI W/W CONN  
 FEMALE HSG-2P(B)

MOLEX INCORPORATED

DOCUMENT NO.  
 SD-35181-021\*

SHEET NO.  
 1 OF 01

THIS DRAWING CONTAINS INFORMATION THAT IS PROPRIETARY TO MOLEX INCORPORATED AND SHOULD NOT BE USED WITHOUT WRITTEN PERMISSION