



Chipsmall Limited consists of a professional team with an average of over 10 year of expertise in the distribution of electronic components. Based in Hongkong, we have already established firm and mutual-benefit business relationships with customers from,Europe,America and south Asia,supplying obsolete and hard-to-find components to meet their specific needs.

With the principle of “Quality Parts,Customers Priority,Honest Operation,and Considerate Service”,our business mainly focus on the distribution of electronic components. Line cards we deal with include Microchip,ALPS,ROHM,Xilinx,Pulse,ON,Everlight and Freescale. Main products comprise IC,Modules,Potentiometer,IC Socket,Relay,Connector.Our parts cover such applications as commercial,industrial, and automotives areas.

We are looking forward to setting up business relationship with you and hope to provide you with the best service and solution. Let us make a better world for our industry!



Contact us

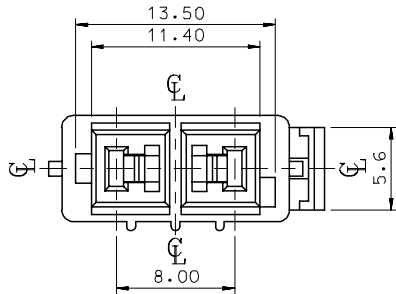
Tel: +86-755-8981 8866 Fax: +86-755-8427 6832

Email & Skype: info@chipsmall.com Web: www.chipsmall.com

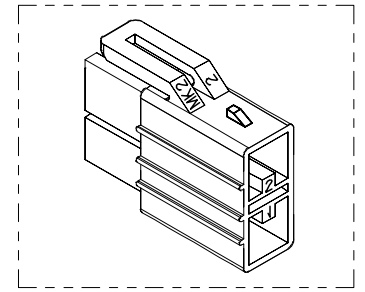
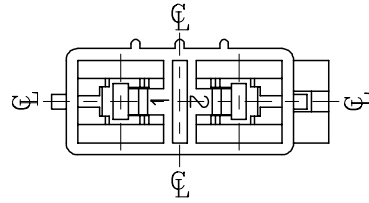
Address: A1208, Overseas Decoration Building, #122 Zhenhua RD., Futian, Shenzhen, China



10 9 8 7 6 5 4 3 2 1

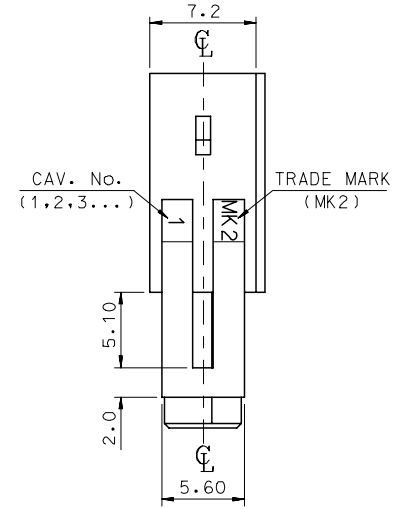
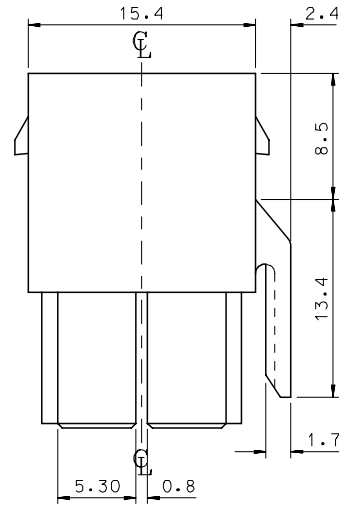
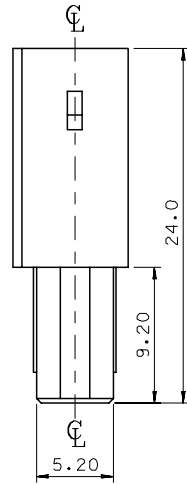


VIEW "A"



NOTES

1. MATERIAL & COLOR : SEE TABLE
2. MATCHED HOUSING : 35180-060*
3. APPLICABLE TERMINAL : 35748-0*10
4. APPLICABLE T.P.A : 35182-019*



↑ "A"

NO	PRODUCT		MATERIAL	
	PART NO	MATERIAL NO	COLOR	DESCRIPTION
1	35181-0220	351810220	NATURAL	PBT (UL94V-0)
2	35181-0229	351810229	NATURAL	PBT/PC(UL94V-0)

REVISED	DESCRIPTION
EC NO: KOR2008-0078	2007/09/10
DRWN: JHPARK01	2007/09/10
CHKD: WY. YANG	2007/09/10
APPR: YUNSIKKIM	2007/09/10

QUALITY SYMBOLS	GENERAL TOLERANCES (UNLESS SPECIFIED)
▽=0	mm INCH
▽=0	4 PLACES ± --- ± ---
	3 PLACES ± --- ± ---
	2 PLACES ± --- ± ---
	1 PLACE ± 0.3 ± ---
	ANGULAR ± 1 °
	DRAFT WHERE APPLICABLE MUST REMAIN WITHIN DIMENSIONS

DIMENSION STYLE		SCALE	DESIGN UNITS	THIRD ANGLE PROJECTION
MM ONLY		3:1	METRIC	
DRAWN BY	DATE	TITLE		
JS. KANG		.070 MULTI W/W CONN		
CHECKED BY	DATE	FEMALE HSG-2P(C)		
APPROVED BY	DATE	MOLEX INCORPORATED		
MATERIAL NO.	DOCUMENT NO.			
		SD-35181-022*	SHEET NO. 1 OF 01	

SIZE		THIS DRAWING CONTAINS INFORMATION THAT IS PROPRIETARY TO MOLEX INCORPORATED AND SHOULD NOT BE USED WITHOUT WRITTEN PERMISSION	
A3			

9 8 7 6 5 4 3 2 1