



Chipsmall Limited consists of a professional team with an average of over 10 year of expertise in the distribution of electronic components. Based in Hongkong, we have already established firm and mutual-benefit business relationships with customers from,Europe,America and south Asia,supplying obsolete and hard-to-find components to meet their specific needs.

With the principle of “Quality Parts,Customers Priority,Honest Operation,and Considerate Service”,our business mainly focus on the distribution of electronic components. Line cards we deal with include Microchip,ALPS,ROHM,Xilinx,Pulse,ON,Everlight and Freescale. Main products comprise IC,Modules,Potentiometer,IC Socket,Relay,Connector.Our parts cover such applications as commercial,industrial, and automotives areas.

We are looking forward to setting up business relationship with you and hope to provide you with the best service and solution. Let us make a better world for our industry!



Contact us

Tel: +86-755-8981 8866 Fax: +86-755-8427 6832

Email & Skype: info@chipsmall.com Web: www.chipsmall.com

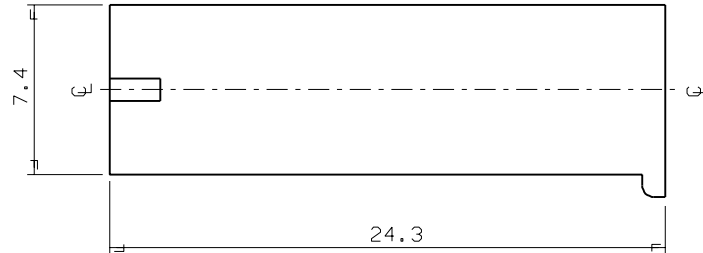
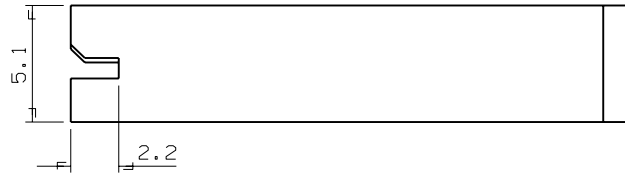
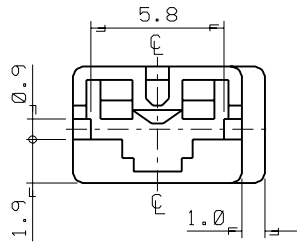
Address: A1208, Overseas Decoration Building, #122 Zhenhua RD., Futian, Shenzhen, China



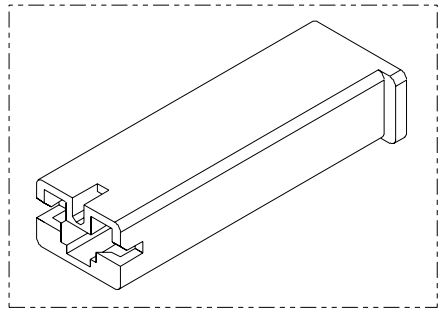
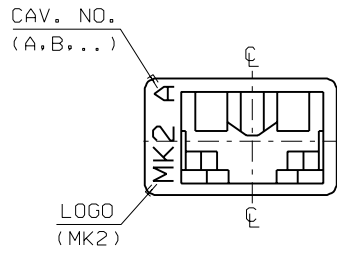
PROJECT NO. .187 MP-LOCK CONN' EDP NO. SD 35189-011 •

8 7 6 5 4 3 2 1

SIMILAR ITEM



- NOTES
- MATERIAL : NYLON 66
35189-0110 (UL94V-2)
35189-0111 (UL94V-0)
 - COLOR : NATURAL
 - APPLICABLE TERMINAL : 35068-9**2



				MATERIAL	SEE NOTES	MOLEX-KOREA CO.,LTD.	
				GENERAL TOLERANCE	DIMENSION : ±0.3		
C	REVISED	96-137	96-12-24	ANGLE : °1'		J. S. KANG	
B	REVISED		96-9-20	DIMENSION CLASSIFICATION	▽ : CRITICAL ▼ : MAJOR	APP'D BY	SCALE 5/1
A	NEW RELEASED		96-4-25	() : REFERENCE		TITLE :	SHEET
LTR	REVISION RECORD	ECN	DATE	ASS'Y PART	DESCRIPTION	ENG. NO.	1 OF 1
				REVISION RECORD	ENG. NO.	SD 35189-011 •	REV C
REVISE ONLY ON CAD SYSTEM				---	---		