



Chipsmall Limited consists of a professional team with an average of over 10 year of expertise in the distribution of electronic components. Based in Hongkong, we have already established firm and mutual-benefit business relationships with customers from,Europe,America and south Asia,supplying obsolete and hard-to-find components to meet their specific needs.

With the principle of “Quality Parts,Customers Priority,Honest Operation,and Considerate Service”,our business mainly focus on the distribution of electronic components. Line cards we deal with include Microchip,ALPS,ROHM,Xilinx,Pulse,ON,Everlight and Freescale. Main products comprise IC,Modules,Potentiometer,IC Socket,Relay,Connector.Our parts cover such applications as commercial,industrial, and automotives areas.

We are looking forward to setting up business relationship with you and hope to provide you with the best service and solution. Let us make a better world for our industry!



Contact us

Tel: +86-755-8981 8866 Fax: +86-755-8427 6832

Email & Skype: info@chipsmall.com Web: www.chipsmall.com

Address: A1208, Overseas Decoration Building, #122 Zhenhua RD., Futian, Shenzhen, China



10 9 8 7 6 5 4 3 2 1

F

F

E

E

D

D

C

C

B

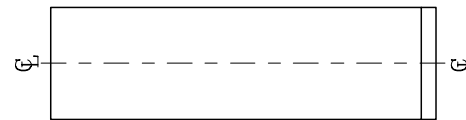
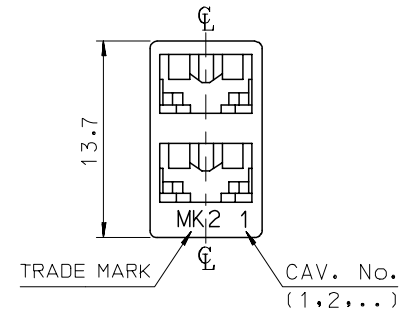
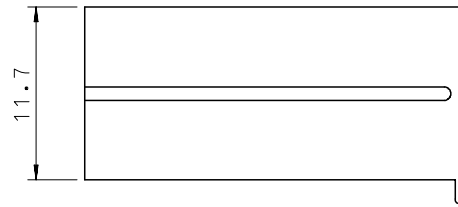
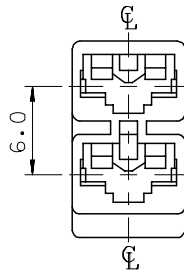
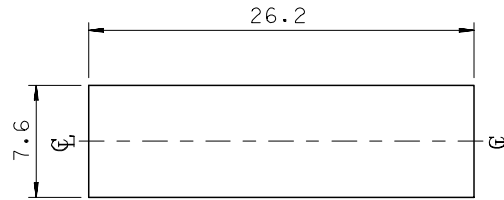
B

A

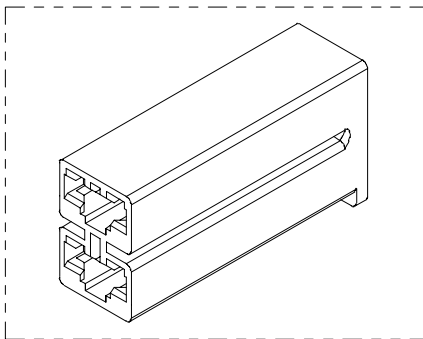
A

NOTES

1. MATERIAL : NYLON
2. COLOR: 35189-0200 NATURAL
35189-0202 RED
35189-0203 YELLOW
35189-0204 BLUE
3. APPLICABLE TERMINAL:35068-9**2
4. GENERAL TOLERANCE:±0.3



ISOMETRIC VIEW



REVISED EC NO: KOR2008-0083 DRWN: JHPARK01 2007/11/07 CHKD: WY. YANG 2007/11/07 APPR: YUNSIKKIM 2007/11/07	DESCRIPTION QUALITY SYMBOLS ▽=0 ▽=0	GENERAL TOLERANCES (UNLESS SPECIFIED)		DIMENSION STYLE MM ONLY		SCALE 3:1	DESIGN UNITS METRIC	THIRD ANGLE PROJECTION		
				mm	INCH	DRAWN BY JS. KANG	DATE	TITLE .187 P-LOCK HSG-2P (6MM PITCH)		
		4 PLACES	± ---	± ---		CHECKED BY	DATE			
		3 PLACES	± ---	± ---		APPROVED BY	DATE			
		2 PLACES	± ---	± ---			MOLEX INCORPORATED			
		1 PLACE	± 0.3	± ---			SD-35189-0200		SHEET NO. 1 OF 01	
		ANGULAR ± 1 °		DRAFT WHERE APPLICABLE MUST REMAIN WITHIN DIMENSIONS		SEE NOTES		THIS DRAWING CONTAINS INFORMATION THAT IS PROPRIETARY TO MOLEX INCORPORATED AND SHOULD NOT BE USED WITHOUT WRITTEN PERMISSION		
				SIZE A3						

9 8 7 6 5 4 3 2 1