



Chipsmall Limited consists of a professional team with an average of over 10 year of expertise in the distribution of electronic components. Based in Hongkong, we have already established firm and mutual-benefit business relationships with customers from,Europe,America and south Asia,supplying obsolete and hard-to-find components to meet their specific needs.

With the principle of “Quality Parts,Customers Priority,Honest Operation,and Considerate Service”,our business mainly focus on the distribution of electronic components. Line cards we deal with include Microchip,ALPS,ROHM,Xilinx,Pulse,ON,Everlight and Freescale. Main products comprise IC,Modules,Potentiometer,IC Socket,Relay,Connector.Our parts cover such applications as commercial,industrial, and automotives areas.

We are looking forward to setting up business relationship with you and hope to provide you with the best service and solution. Let us make a better world for our industry!



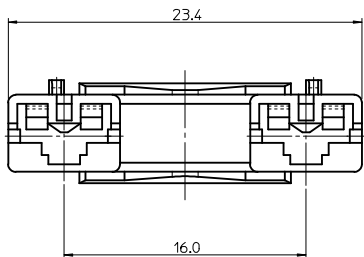
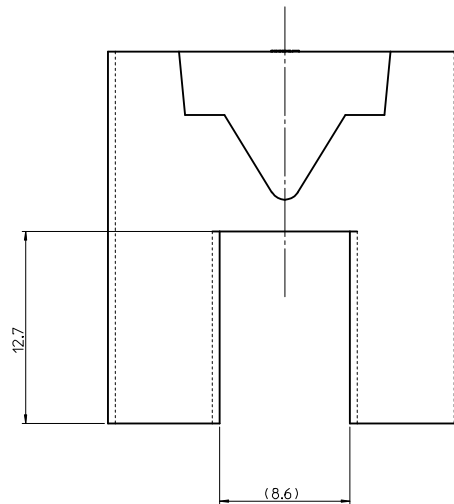
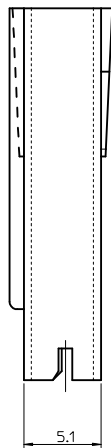
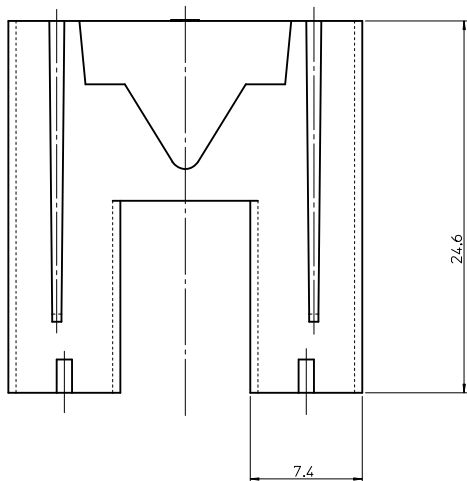
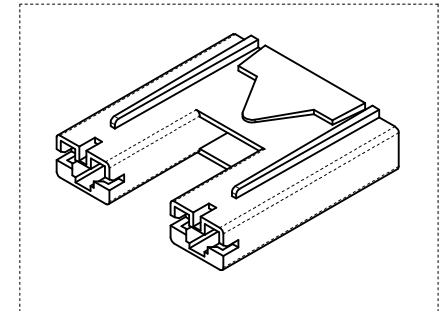
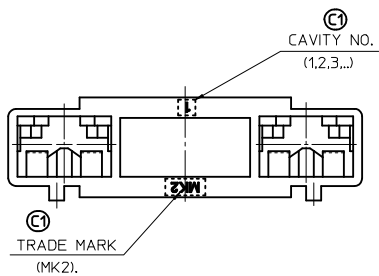
## Contact us

Tel: +86-755-8981 8866 Fax: +86-755-8427 6832

Email & Skype: info@chipsmall.com Web: www.chipsmall.com

Address: A1208, Overseas Decoration Building, #122 Zhenhua RD., Futian, Shenzhen, China





NOTES

- ① 1. MATERIAL : POLYAMIDE66, NO GLASS FILLED, UL94V-2, COLOR: NATURAL
- 2. APPLICABLE TERMINAL : 35068-9\*\*2

REVISED EC NO: KOR2015-0096 DRWN: SCHONG03 2014/06/09 CHKD: SHCHU 2014/06/09 APPR: YSK1M02 2015/03/30	DESCRIPTION C1	QUALITY SYMBOLS	GENERAL TOLERANCES (UNLESS SPECIFIED)	DIMENSION STYLE	SCALE	DESIGN UNITS	THIRD ANGLE PROJECTION	
		▽=0 ∇=0	mm    INCH 4 PLACES ± --- ± --- 3 PLACES ± --- ± --- 2 PLACES ± --- ± --- 1 PLACE ± 0.3 ± --- 0 PLACE ± --- ± ---	MM ONLY	3:1	METRIC	DRAWN BY: SCHONG03    DATE: 2014/06/09 CHECKED BY: SHCHU    DATE: 2014/06/09 APPROVED BY: YSK1M02    DATE: 2015/03/30	TITLE
		ANGULAR ± 1 °	DRAFT WHERE APPLICABLE MUST REMAIN WITHIN DIMENSIONS	MATERIAL NO.	DOCUMENT NO.	.187 MP-LOCK HOUSING -2P (16MM PITCH)		<b>molex</b>
				351890250	SD-35189-0250	SHEET NO.		