



Chipsmall Limited consists of a professional team with an average of over 10 year of expertise in the distribution of electronic components. Based in Hongkong, we have already established firm and mutual-benefit business relationships with customers from,Europe,America and south Asia,supplying obsolete and hard-to-find components to meet their specific needs.

With the principle of “Quality Parts,Customers Priority,Honest Operation,and Considerate Service”,our business mainly focus on the distribution of electronic components. Line cards we deal with include Microchip,ALPS,ROHM,Xilinx,Pulse,ON,Everlight and Freescale. Main products comprise IC,Modules,Potentiometer,IC Socket,Relay,Connector.Our parts cover such applications as commercial,industrial, and automotives areas.

We are looking forward to setting up business relationship with you and hope to provide you with the best service and solution. Let us make a better world for our industry!



Contact us

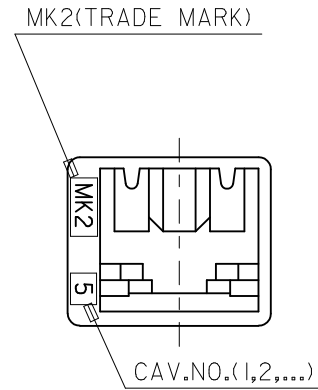
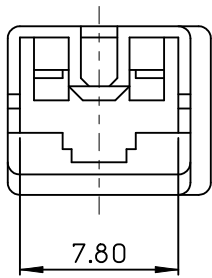
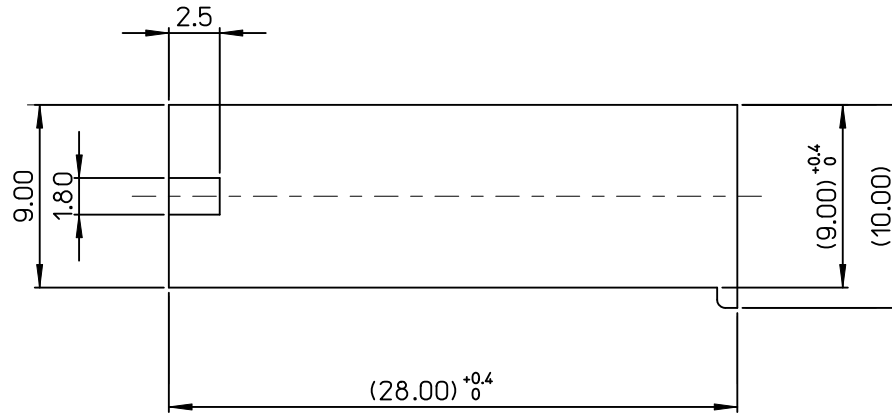
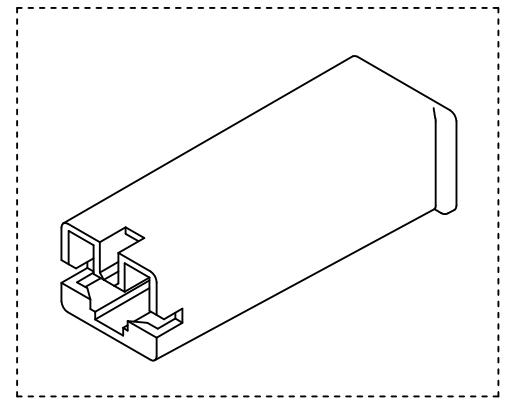
Tel: +86-755-8981 8866 Fax: +86-755-8427 6832

Email & Skype: info@chipsmall.com Web: www.chipsmall.com

Address: A1208, Overseas Decoration Building, #122 Zhenhua RD., Futian, Shenzhen, China



10 9 8 7 6 5 4 3 2 1



NOTES

1. MATERIAL & PART NO.

NO.	MATERIAL NO.	PART NO.	MATERIAL
1	351960110	35196-0110	PA66,UL94V-2
2	351960111	35196-0111	©PA66,UL94V-0

2. FINISH : NATURAL COLOR

3. APPLICABLE TERMINAL : 35072-9*02

REVISED EC NO: KOR2011-0074 DRWN: JHPARK01 2011/01/26 CHKD: SH. CHU 2011/01/26 APPR: YUNSIKIM 2011/01/27	DESCRIPTION REV	QUALITY SYMBOLS ▽=0 ▽=0	GENERAL TOLERANCES (UNLESS SPECIFIED)		DIMENSION STYLE MM ONLY		SCALE 4:1	DESIGN UNITS METRIC	THIRD ANGLE PROJECTION	
			mm	INCH	DRAWN BY WY. YANG	DATE 1996/03/19	TITLE .250 P-LOCK HOUSING-1P			
			4 PLACES ± ---	± ---	CHECKED BY BK. CHOI	DATE 1996/03/19				
			3 PLACES ± ---	± ---	APPROVED BY CW. LEE	DATE 1996/03/19				
	2 PLACES ± 0.3	± ---	MATERIAL NO.		SEE NOTE		DOCUMENT NO.			
	1 PLACE ± 0.3	± ---	DRAFT WHERE APPLICABLE MUST REMAIN WITHIN DIMENSIONS		SIZE A3		THIS DRAWING CONTAINS INFORMATION THAT IS PROPRIETARY TO MOLEX INCORPORATED AND SHOULD NOT BE USED WITHOUT WRITTEN PERMISSION			
	ANGULAR ± 1 °						MOLEX INCORPORATED			
							SD-35196-0110		SHEET NO. 1 OF 01	

9 8 7 6 5 4 3 2 1