



Chipsmall Limited consists of a professional team with an average of over 10 year of expertise in the distribution of electronic components. Based in Hongkong, we have already established firm and mutual-benefit business relationships with customers from,Europe,America and south Asia,supplying obsolete and hard-to-find components to meet their specific needs.

With the principle of “Quality Parts,Customers Priority,Honest Operation,and Considerate Service”,our business mainly focus on the distribution of electronic components. Line cards we deal with include Microchip,ALPS,ROHM,Xilinx,Pulse,ON,Everlight and Freescale. Main products comprise IC,Modules,Potentiometer,IC Socket,Relay,Connector.Our parts cover such applications as commercial,industrial, and automotives areas.

We are looking forward to setting up business relationship with you and hope to provide you with the best service and solution. Let us make a better world for our industry!



Contact us

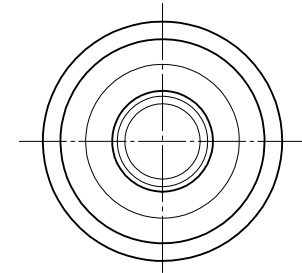
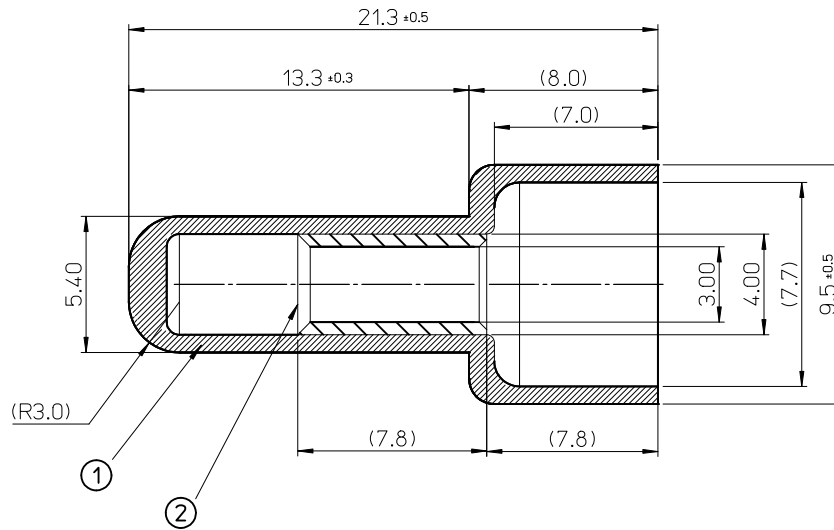
Tel: +86-755-8981 8866 Fax: +86-755-8427 6832

Email & Skype: info@chipsmall.com Web: www.chipsmall.com

Address: A1208, Overseas Decoration Building, #122 Zhenhua RD., Futian, Shenzhen, China



WIRE SIZE (AWG. NO.)				
22	20	18	16	14
			1	1
		1		1
		2		1
	1	1		1
	2	1		1
1		1		1
2		1		1
3		1		1
	1			1
	2			1
	3			1
1			3	1
			2	
		1	2	
		2	2	
	1		2	
	2		2	
1			2	
2			2	
1	3	1		
1	4	1		
3			2	
	1	1	2	
1		1	2	
1		1	2	
2		1	2	
		1	1	
		2	1	
		3	1	
		4	1	
			1	
1			1	
2			1	
3			1	
4			1	
5			1	
	3	2	1	
1		2	1	
2		2	1	
1	1	1	1	
2	1	1	1	
	1	4	1	
2		4		
		4		
		3		
	1	3		
	2	3		
1		3		
2		3		
3		3		
1	1	3		



NOTE.
 1. MATERIAL : ① HOUSING : PA66
 ② INSERT : COPPER
 2. FINISH : TIN-PLATING
 3. NO FLASH

WIRE SIZE (AWG. NO.)				
22	20	18	16	14
	1	2		
	2	2		
	2	3		
1		2		
2		2		
3		2		
1	1	2		
1	2	2		
1	3	2		
2	1	2		
3	1	2		
	1	1		
	2	1		
	3	1		
	4	1		
	5	1		
1		1		
2		1		
3		1		
4		1		
5		1		
1	1	1		
1	2	1		

RELEASE EC NO: KOR2012-0024 DRWN: YRBAE CHKD: APPR: YUNSIKKIM 2011/09/26 2011/10/25	QUALITY SYMBOLS ▽=0 ◻=0	GENERAL TOLERANCES (UNLESS SPECIFIED)		DIMENSION STYLE MM ONLY		SCALE 1:1	DESIGN UNITS METRIC	THIRD ANGLE PROJECTION		
			mm	INCH	DRAWN BY	DATE	TITLE			
		4 PLACES	± ---	± ---	YRBAE	2011/09/26	2.0 CLOSED END CONNECTOR			
		3 PLACES	± ---	± ---	CHECKED BY	DATE				
	2 PLACES	± 0.20	± ---	SHCHU	2011/09/26					
	1 PLACE	± 0.30	± ---	APPROVED BY	DATE					
	ANGULAR ± 0.5°		YUNSIKKIM	2011/10/25						
	DRAFT WHERE APPLICABLE MUST REMAIN WITHIN DIMENSIONS		MATERIAL NO.	352142010		DOCUMENT NO.		SD-35214-001		
			SIZE	THIS DRAWING CONTAINS INFORMATION THAT IS PROPRIETARY TO MOLEX INCORPORATED AND SHOULD NOT BE USED WITHOUT WRITTEN PERMISSION						
			A3							