



Chipsmall Limited consists of a professional team with an average of over 10 year of expertise in the distribution of electronic components. Based in Hongkong, we have already established firm and mutual-benefit business relationships with customers from,Europe,America and south Asia,supplying obsolete and hard-to-find components to meet their specific needs.

With the principle of "Quality Parts,Customers Priority,Honest Operation,and Considerate Service",our business mainly focus on the distribution of electronic components. Line cards we deal with include Microchip,ALPS,ROHM,Xilinx,Pulse,ON,Everlight and Freescale. Main products comprise IC,Modules,Potentiometer,IC Socket,Relay,Connector.Our parts cover such applications as commercial,industrial, and automotives areas.

We are looking forward to setting up business relationship with you and hope to provide you with the best service and solution. Let us make a better world for our industry!



## Contact us

Tel: +86-755-8981 8866 Fax: +86-755-8427 6832

Email & Skype: info@chipsmall.com Web: www.chipsmall.com

Address: A1208, Overseas Decoration Building, #122 Zhenhua RD., Futian, Shenzhen, China



PROJECT NO.

SIMILAR ITEM

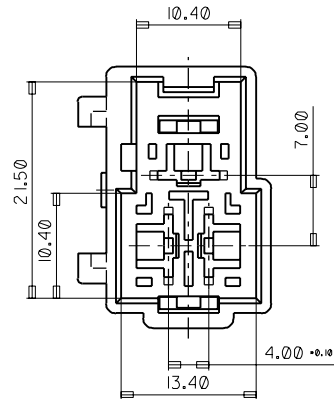
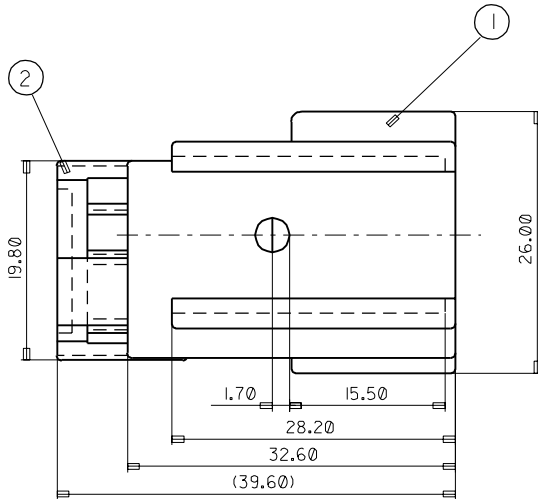
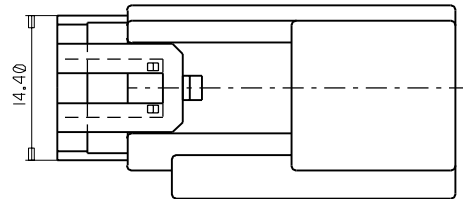
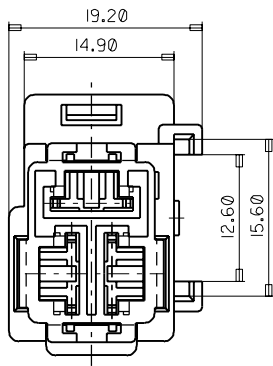
EDP NO.

ENG. NO.

SD 35272-0310

	P/N.O.	PART NAME	MATERIAL
①	35272-0390	POWERMATE MALE HSG 3P	PBT
②	35273-0380	POWERMATE MALE TPA 3P	PBT

\* APPLICABLE TERMINAL : 35725-30\*\*,18\*\*,19\*\*



			MATERIAL SEE TABLE		MOLEX-KOREA CO.,LTD.	
			GENERAL TOLERANCE DIMENSION : *0.20		DRAWN BY 961120 J.K.OH	
			ANGLE :		CHK'D BY	
			DIMENSION CLASSIFICATION		APP'D BY	
			▽ : CRITICAL ▼ : MAJOR		SCALE 2 : 1	
			( ) : REFERENCE		TITLE :	
A NEW RELEASE			KOR1997-0153	971119	POWERMATE MALE ASSY 3P	
LTR REVISION RECORD			ECN	DATE	SHEET 1/1	
REVISE ONLY ON CAD SYSTEM					ENG. NO. SD 35272-0310	
					REV A	