



Chipsmall Limited consists of a professional team with an average of over 10 year of expertise in the distribution of electronic components. Based in Hongkong, we have already established firm and mutual-benefit business relationships with customers from,Europe,America and south Asia,supplying obsolete and hard-to-find components to meet their specific needs.

With the principle of “Quality Parts,Customers Priority,Honest Operation,and Considerate Service”,our business mainly focus on the distribution of electronic components. Line cards we deal with include Microchip,ALPS,ROHM,Xilinx,Pulse,ON,Everlight and Freescale. Main products comprise IC,Modules,Potentiometer,IC Socket,Relay,Connector.Our parts cover such applications as commercial,industrial, and automotives areas.

We are looking forward to setting up business relationship with you and hope to provide you with the best service and solution. Let us make a better world for our industry!



Contact us

Tel: +86-755-8981 8866 Fax: +86-755-8427 6832

Email & Skype: info@chipsmall.com Web: www.chipsmall.com

Address: A1208, Overseas Decoration Building, #122 Zhenhua RD., Futian, Shenzhen, China



DO NOT SCALE DRAWING
DIMENSION IN METRIC

B

C

PROJECT NO.

SIMILAR ITEM

DWG. NO.
SD 35274-0311

8

7

6

5

4

3

2

MX-A3


	P/NO.	PART NAME	MATERIAL
①	35274-0391	POWERMATE SP FEMALE HSG 3P	PBT BLACK COLOR
②	35275-0380	POWERMATE SP FEMALE TPA 3P	PBT NATURAL COLOR

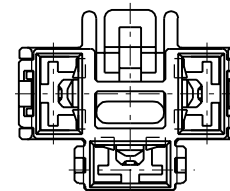
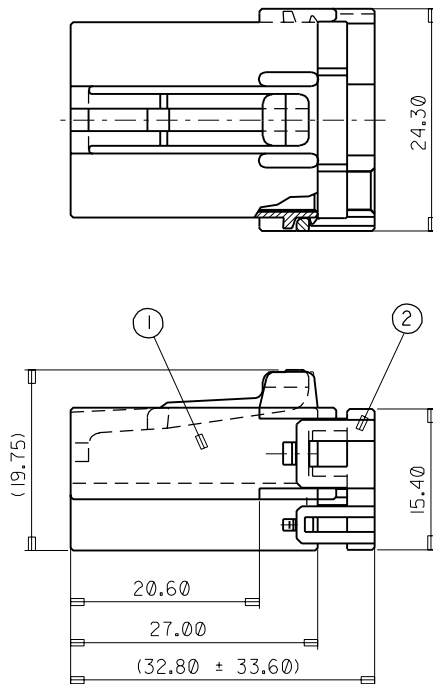
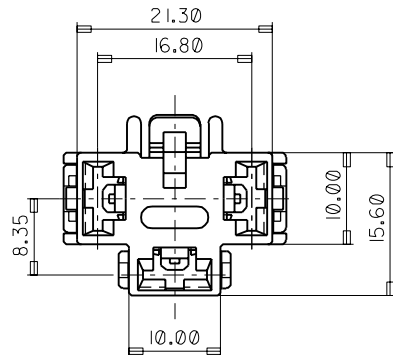
• APPLICABLE TERMINAL : 35427-97** , 98** , 99**
35430-1700, 1800, 1900

NEW RELEASE EC NO. KOR938-0085 DRWN: J.K OH 98.6.2 CHK: J.K OH 98.6.2 APPR:	DESCRIPTION MAJOR CRITICAL	REV

QUALITY SYMBOLS MAJOR CRITICAL	GENERAL TOLERANCES: (UNLESS SPECIFIED)	
	mm	INCH
	4 PLACES	±0. ±.
	3 PLACES	±0. ±.
	2 PLACES	±0.3 ±.
1 PLACE	±0. ±.	
ANGULAR: ±3 °		
DRAFT WHERE APPLICABLE MUST REMAIN WITHIN DIMENSIONS		

SCALE 2 : 1	DESIGN UNITS <input checked="" type="checkbox"/> mm <input type="checkbox"/> INCH
DRAWN BY & DATE 970922 J.K.OH	
CHECKED BY & DATE	
APPROVED BY & DATE	
CAD FILENAME	

DIMENSIONS: <input type="checkbox"/> mm <input type="checkbox"/> INCH <input checked="" type="checkbox"/> mm ONLY		SHT	REV
THIRD ANGLE PROJECTION		REVISE ON CAD ONLY	
TITLE: POWERMATE SP FEMALE ASS'Y 3P			
 MOLEX INCORPORATED KOREA			
MATERIAL NO. 352-74-0311	DRAWING NO. SD 35274-0311	SHEET NO. 1/1	
THIS DRAWING CONTAINS INFORMATION THAT IS PROPRIETARY TO MOLEX INCORPORATED AND SHOULD NOT BE USED WITHOUT WRITTEN PERMISSION.			SIZE B



F
E
D
C
B
A