



Chipsmall Limited consists of a professional team with an average of over 10 year of expertise in the distribution of electronic components. Based in Hongkong, we have already established firm and mutual-benefit business relationships with customers from,Europe,America and south Asia,supplying obsolete and hard-to-find components to meet their specific needs.

With the principle of "Quality Parts,Customers Priority,Honest Operation,and Considerate Service",our business mainly focus on the distribution of electronic components. Line cards we deal with include Microchip,ALPS,ROHM,Xilinx,Pulse,ON,Everlight and Freescale. Main products comprise IC,Modules,Potentiometer,IC Socket,Relay,Connector.Our parts cover such applications as commercial,industrial, and automotives areas.

We are looking forward to setting up business relationship with you and hope to provide you with the best service and solution. Let us make a better world for our industry!



Contact us

Tel: +86-755-8981 8866 Fax: +86-755-8427 6832

Email & Skype: info@chipsmall.com Web: www.chipsmall.com

Address: A1208, Overseas Decoration Building, #122 Zhenhua RD., Futian, Shenzhen, China



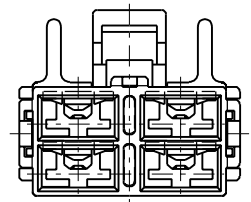
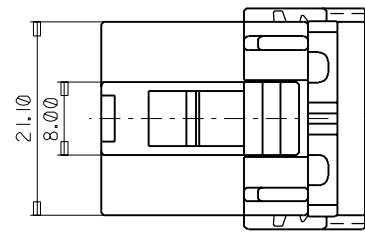
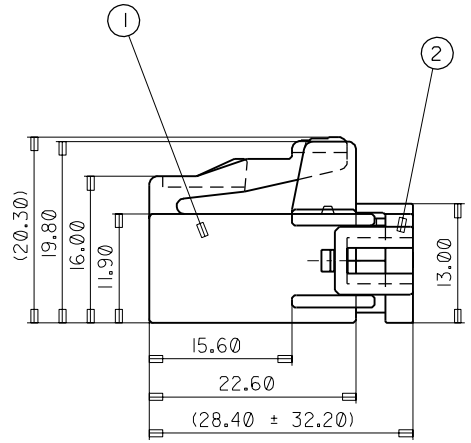
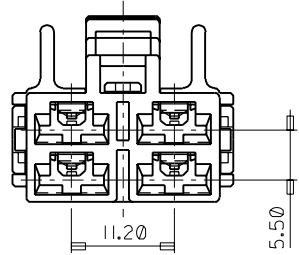
DO NOT SCALE DRAWING DIMENSION IN METRIC

PROJECT NO.

SIMILAR ITEM

DWG. NO. SD 35274-0411

8 7 6 5 4 3 2 1



F
E
D
C
B

	P/NO.	PART NAME	MATERIAL
①	35274-0491	POWERMATE SP FEMALE HSG 4P	PBT BLACK COLOR
②	35275-0480	POWERMATE SP FEMALE TPA 4P	PBT NATURAL COLOR

• APPLICABLE TERMINAL : 35427-97**98**99**
35430-1700, 1800, 1900

NEW RELEASE EC NO. KOR1998-0085 DRWN: J.K OH 98.6.2 CHK: J.K OH 98.6.2 APPR:	DESCRIPTION	QUALITY SYMBOLS
	REV	MAJOR CRITICAL C

GENERAL TOLERANCES: (UNLESS SPECIFIED)	
	mm INCH
4 PLACES	±0. ±.
3 PLACES	±0. ±.
2 PLACES	±0.3 ±.
1 PLACE	±0. ±.
ANGULAR: ±3 °	
DRAFT WHERE APPLICABLE MUST REMAIN WITHIN DIMENSIONS	

SCALE	DESIGN UNITS
2 : 1	<input checked="" type="checkbox"/> mm <input type="checkbox"/> INCH
DRAWN BY & DATE 970922 J.K.OH	
CHECKED BY & DATE	
APPROVED BY & DATE	
CAD FILENAME	

DIMENSIONS:		SHT	REV
<input type="checkbox"/> mm <input type="checkbox"/> INCH <input checked="" type="checkbox"/> mm <input type="checkbox"/> INCH ONLY			REVISE ON CAD ONLY
THIRD ANGLE PROJECTION		TITLE: POWERMATE SP FEMALE ASS'Y 4P	
MOLEX INCORPORATED KOREA		APPROVED BY & DATE	
MATERIAL NO. 352-74-0411	DRAWING NO. SD 35274-0411	SHEET NO. 1/1	
THIS DRAWING CONTAINS INFORMATION THAT IS PROPRIETARY TO MOLEX INCORPORATED AND SHOULD NOT BE USED WITHOUT WRITTEN PERMISSION.		SIZE B	

8 7 6 5 4 3 2 1 MX-A3