



Chipsmall Limited consists of a professional team with an average of over 10 year of expertise in the distribution of electronic components. Based in Hongkong, we have already established firm and mutual-benefit business relationships with customers from,Europe,America and south Asia,supplying obsolete and hard-to-find components to meet their specific needs.

With the principle of “Quality Parts,Customers Priority,Honest Operation,and Considerate Service”,our business mainly focus on the distribution of electronic components. Line cards we deal with include Microchip,ALPS,ROHM,Xilinx,Pulse,ON,Everlight and Freescale. Main products comprise IC,Modules,Potentiometer,IC Socket,Relay,Connector.Our parts cover such applications as commercial,industrial, and automotives areas.

We are looking forward to setting up business relationship with you and hope to provide you with the best service and solution. Let us make a better world for our industry!



Contact us

Tel: +86-755-8981 8866 Fax: +86-755-8427 6832

Email & Skype: info@chipsmall.com Web: www.chipsmall.com

Address: A1208, Overseas Decoration Building, #122 Zhenhua RD., Futian, Shenzhen, China



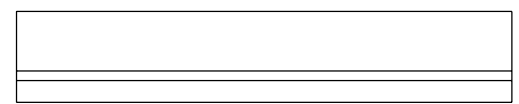
DWG. NO.
SD-35301-002

SIMILAR ITEM

PROJECT NO.

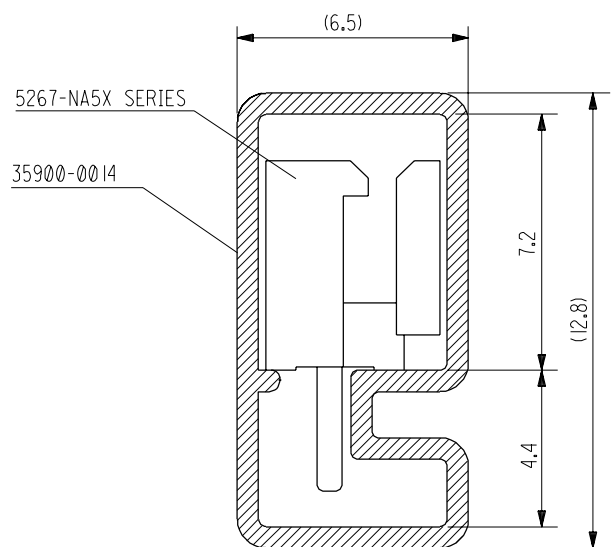
5 4 3 2 1

STICKER OR VINYL
(MOLEX LOGO SIDE)



← STOPPER

VIEW V



← V

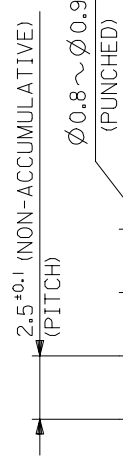
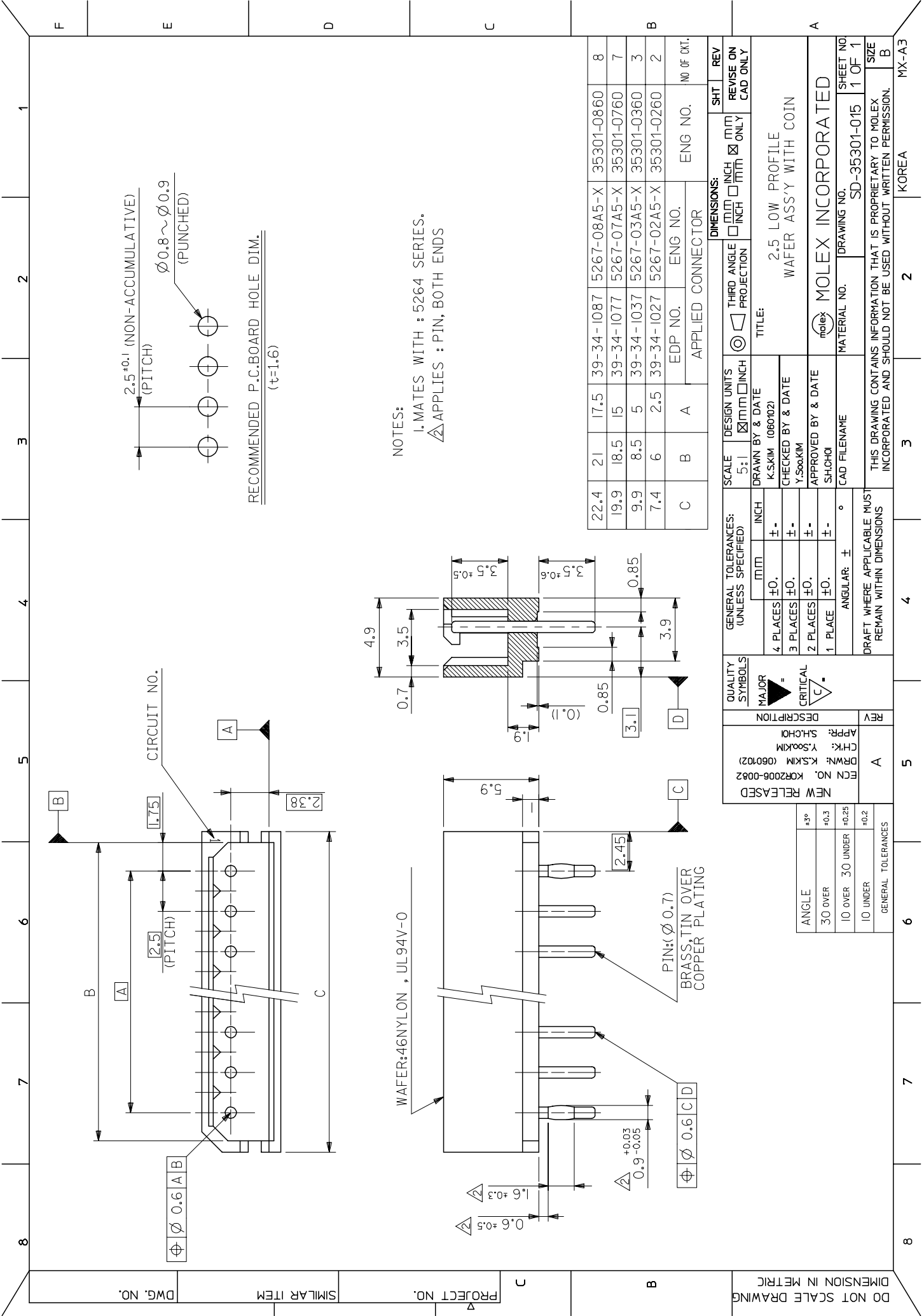
NOTES

1. PACKING TYPE : STOPPER & STICKER LOCKING TYPE(GENERAL)
: VINYL & STOPPER LOCKING TYPE(FOR S/S)
2. THICKNESS : 0.6 †
3. LENGTH : 550 mm

8	35301-0860	353010860	20	5267-NA5X SERIES
7	35301-0760	353010760	25	
3	35301-0360	353010360	50	
2	35301-0260	353010260	70	
CKTS	ENG NO.	MAT'L NO.	Q'TY/TUBE	USED ON

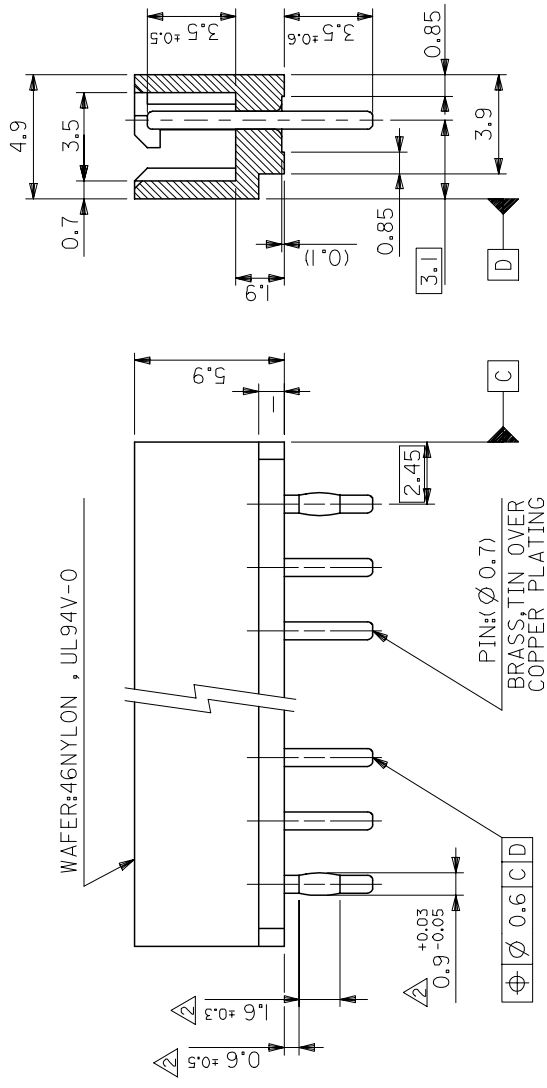
NEW RELEASED EC NO. KOR2002-0048 DRWN: KSKIM(011130) CHK: J.K.OH APPR: C.W.LEE	DESCRIPTION	QUALITY SYMBOLS	GENERAL TOLERANCES: (UNLESS SPECIFIED)		SCALE 5 : 1	DESIGN UNITS <input checked="" type="checkbox"/> mm <input type="checkbox"/> INCH	THIRD ANGLE PROJECTION <input type="checkbox"/> <input checked="" type="checkbox"/>	DIMENSIONS: <input type="checkbox"/> mm <input type="checkbox"/> INCH <input checked="" type="checkbox"/> mm ONLY	SHT	REV
		MAJOR =	CRITICAL =	mm	INCH	DRAWN BY & DATE K.S.KIM(011130)		TITLE: TUBE PACKAGED FOR 5267-NA5X SERIES		
A	REV	4 PLACES	±0.	±.	CHECKED BY & DATE J.K.OH		MOLEX INCORPORATED KOREA			
		3 PLACES	±0.	±.	APPROVED BY & DATE C.W.LEE					
		2 PLACES	±0.	±.	CAD FILENAME E35301B.DGN		MATERIAL NO. SEE TABLE	DRAWING NO. SD-35301-002	SHEET NO. 1 OF 1	
		1 PLACE	±0.4	±.	ANGULAR: ± 3 °		THIS DRAWING CONTAINS INFORMATION THAT IS PROPRIETARY TO MOLEX INCORPORATED AND SHOULD NOT BE USED WITHOUT WRITTEN PERMISSION.		SIZE A	
		DRAFT WHERE APPLICABLE MUST REMAIN WITHIN DIMENSIONS								

5 4 3 2 1 MX-A4



RECOMMENDED P.C. BOARD HOLE DIM.
(t=1.6)

NOTES:
1. MATES WITH : 5264 SERIES.
2. APPLIES : PIN, BOTH ENDS



DO NOT SCALE DRAWING
DIMENSION IN METRIC

ANGLE	+3°
30 OVER	+0.3
10 OVER 30 UNDER	+0.25
10 UNDER	+0.2
GENERAL TOLERANCES	

NEW RELEASED	ECN NO. KOR2006-0062	DRWN: K.S.KIM (060102)	CHK: Y.SooKIM	APP: S.H.CHOI
DESCRIPTION	MAJOR	CRITICAL		

QUALITY SYMBOLS	GENERAL TOLERANCES: (UNLESS SPECIFIED)	SCALE	DESIGN UNITS	THIRD ANGLE PROJECTION	DIMENSIONS:	SHT	REV
4 PLACES ±0.	±0.	5:1	MM/INCH	☉	MM/INCH		
3 PLACES ±0.	±0.		MM/INCH		MM/INCH		
2 PLACES ±0.	±0.						
1 PLACE ±0.	±0.						
ANGULAR: ±							

DRAWN BY & DATE	K.S.KIM (060102)
CHECKED BY & DATE	Y.SooKIM
APPROVED BY & DATE	S.H.CHOI
CAD FILENAME	
MATERIAL NO.	DRAWING NO. SD-35301-015
SHEET NO. 1 OF 1	

TITLE: 2.5 LOW PROFILE WAFER ASS'Y WITH COIN	
MOLEX INCORPORATED	
THIS DRAWING CONTAINS INFORMATION THAT IS PROPRIETARY TO MOLEX INCORPORATED AND SHOULD NOT BE USED WITHOUT WRITTEN PERMISSION.	
SIZE	B
NO OF CXT.	8

22.4	21	17.5	39-34-1087	5267-08A5-X	35301-0860	8
19.9	18.5	15	39-34-1077	5267-07A5-X	35301-0760	7
9.9	8.5	5	39-34-1037	5267-03A5-X	35301-0360	3
7.4	6	2.5	39-34-1027	5267-02A5-X	35301-0260	2
C	B	A	EDP NO.	ENG NO.	ENG NO.	NO OF CXT.
			APPLIED CONNECTOR			