



Chipsmall Limited consists of a professional team with an average of over 10 year of expertise in the distribution of electronic components. Based in Hongkong, we have already established firm and mutual-benefit business relationships with customers from,Europe,America and south Asia,supplying obsolete and hard-to-find components to meet their specific needs.

With the principle of “Quality Parts,Customers Priority,Honest Operation,and Considerate Service”,our business mainly focus on the distribution of electronic components. Line cards we deal with include Microchip,ALPS,ROHM,Xilinx,Pulse,ON,Everlight and Freescale. Main products comprise IC,Modules,Potentiometer,IC Socket,Relay,Connector.Our parts cover such applications as commercial,industrial, and automotives areas.

We are looking forward to setting up business relationship with you and hope to provide you with the best service and solution. Let us make a better world for our industry!



Contact us

Tel: +86-755-8981 8866 Fax: +86-755-8427 6832

Email & Skype: info@chipsmall.com Web: www.chipsmall.com

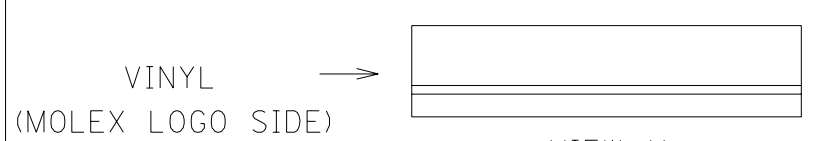
Address: A1208, Overseas Decoration Building, #122 Zhenhua RD., Futian, Shenzhen, China



DWG. NO. SD-35303-001

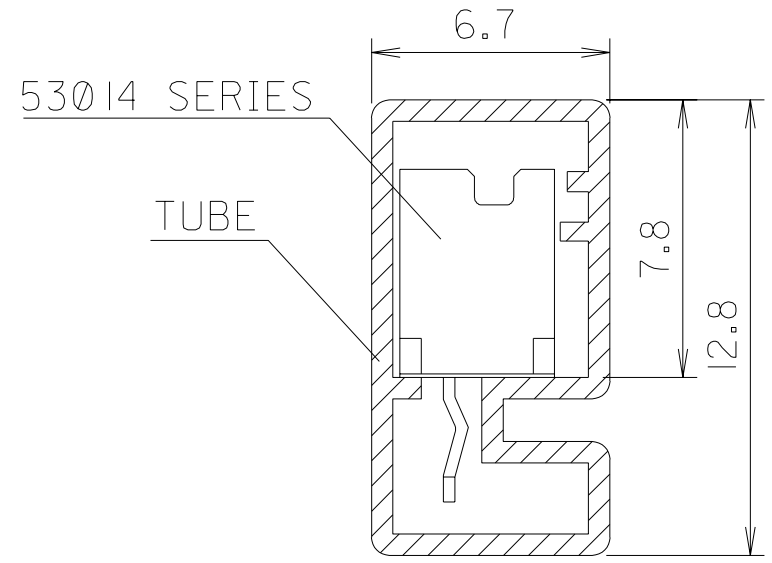
SIMILAR ITEM

PROJECT NO.



NOTES
 1. TUBE : STOPPER & VINYL LOCKING TYPE
 2. THICKNESS : 0.6+
 3. LENGTH : 550mm

LEGEND 35303-*** 5 *
 COLOR : 0 --- NATURAL
 1 --- BLACK
 2 --- RED
 3 --- YELLOW
 4 --- BLUE
 CKT (02, 03, 04, ...)



15	35303155*	35303-155*	8	35303085*	35303-085*	53014 SERIES	
14	35303145*	-145*	7	35303075*	-075*		
13	35303135*	-135*	6	35303065*	-065*		
12	35303125*	-125*	5	35303055*	-055*		
11	35303115*	-115*	4	35303045*	-045*		
10	35303105*	-105*	3	35303035*	-035*		
9	35303095*	35303-095*	2	35303025*	35303-025*		
CKTS	MAT'L NO.	ENG NO.	CKTS	MAT'L NO.	ENG NO.		USED ON

NEW RELEASED
 EC NO. KOR2004-0124
 DRWN: K.S.KIM (040324)
 CH'K: J.K.OH
 APPR: C.W.LEE

QUALITY SYMBOLS
 MAJOR =
 CRITICAL =

GENERAL TOLERANCES:
(UNLESS SPECIFIED)

	mm	INCH
4 PLACES	±0.	±.
3 PLACES	±0.	±.
2 PLACES	±0.	±.
1 PLACE	±0.	±.

ANGULAR: ± °

DRAFT WHERE APPLICABLE MUST REMAIN WITHIN DIMENSIONS

SCALE NONE
 DESIGN UNITS mm INCH
 THIRD ANGLE PROJECTION FIRST ANGLE PROJECTION
 DRAWN BY & DATE
 H.S.SHIN (910220)
 CHECKED BY & DATE
 J.K.OH
 APPROVED BY & DATE
 C.W.LEE
 CAD FILENAME
 SD-35303-001

DIMENSIONS:
 mm INCH mm ONLY
 INCH mm

SHT REV
 REVISE ON CAD ONLY

TITLE:
 TUBE PACKAGED FOR 53014 SERIES

MOLEX INCORPORATED KOREA

MATERIAL NO. SEE TABLE
 DRAWING NO. SD-35303-001
 SHEET NO. 1 OF 1

THIS DRAWING CONTAINS INFORMATION THAT IS PROPRIETARY TO MOLEX INCORPORATED AND SHOULD NOT BE USED WITHOUT WRITTEN PERMISSION.

SIZE A

DWG. NO.

SIMILAR ITEM

PROJECT NO.

C

B

DO NOT SCALE DRAWING
DIMENSION IN METRIC

8 7 6 5 4 3 2 1

F

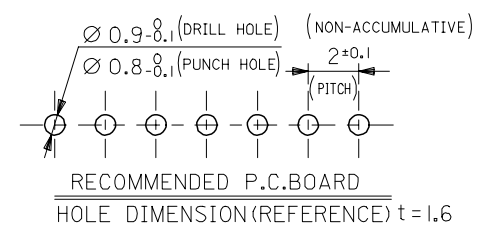
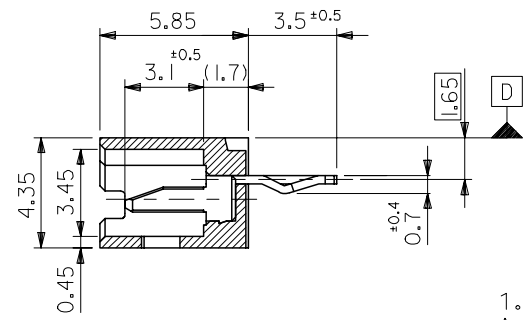
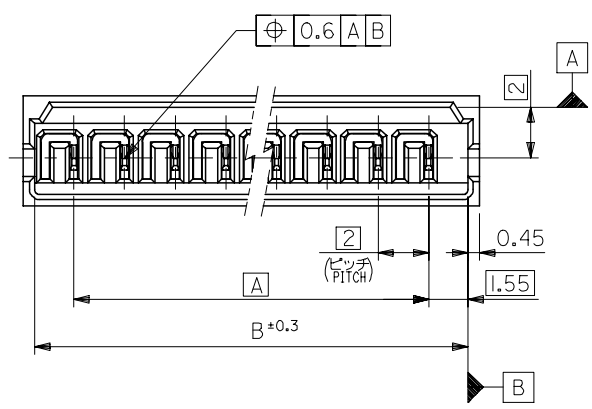
E

D

C

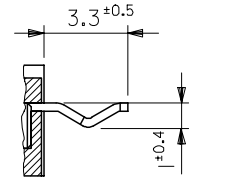
B

A

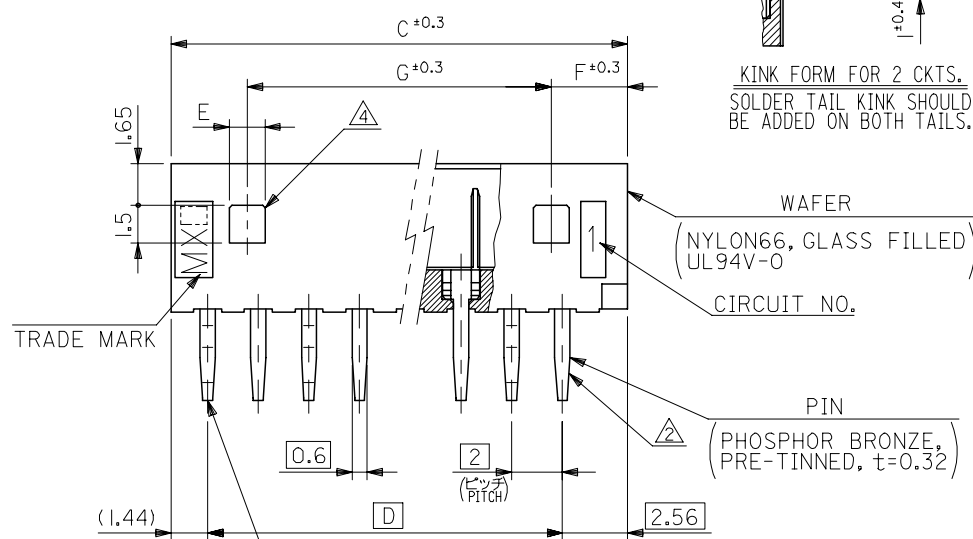


NOTES

- 1. MATES WITH : 51004-***00
- △ KINK TO BE ADDED ON THE ODD NUMBER SOLDER TAILS. (FROM THE TRADE MARK SIDE.)
- △ * MARK INDICATES DYED COLOR : "0" NATURAL, "1" BLACK, "2" RED, "3" YELLOW, "4" BLUE
- △ LOCKING HOLE : 1 PLACE FOR 2, 3 CKTS, 2 PLACES FOR 4 CKTS. AND MORE THAN 4 CKTS.



KINK FORM FOR 2 CKTS.
SOLDER TAIL KINK SHOULD BE ADDED ON BOTH TAILS.



26	3	1.4	28	32	31.1	28	53014-151*	35303-155*	15
24	3	1.4	26	30	29.1	26	-141*	35303-145*	14
22	3	1.4	24	28	27.1	24	-131*	35303-135*	13
20	3	1.4	22	26	25.1	22	-121*	35303-125*	12
18	3	1.4	20	24	23.1	20	-111*	35303-115*	11
16	3	1.4	18	22	21.1	18	-101*	35303-105*	10
14	3	1.4	16	20	19.1	16	-091*	35303-095*	9
12	3	1.4	14	18	17.1	14	-081*	35303-085*	8
10	3	1.4	12	16	15.1	12	-071*	35303-075*	7
8	3	1.4	10	14	13.1	10	-061*	35303-065*	6
6	3	1.4	8	12	11.1	8	-051*	35303-055*	5
4	3	1.4	6	10	9.1	6	-041*	35303-045*	4
-#	4	3.4	4	8	7.1	4	-031*	35303-035*	3
-#	3	1.4	2	6	5.1	2	53014-021*	35303-025*	2
G	F	E	D	C	B	A	ENG. NO. △	ENG. NO. △	NO. OF CKTS.

ANGLE	±3°
30 OVER	±0.3
10 OVER 30 UNDER	±0.25
10 UNDER	±0.2
GENERAL TOLERANCES	

NEW RELEASED
ECN NO. KOR2006-0082
DRWN: K.S.KIM (060102)
CHK: Y.Soo.KIM
APPR: SH.CHOI

QUALITY SYMBOLS
MAJOR
CRITICAL

GENERAL TOLERANCES:
(UNLESS SPECIFIED)

	mm	INCH
4 PLACES	±0.	±.
3 PLACES	±0.	±.
2 PLACES	±0.	±.
1 PLACE	±0.	±.

ANGULAR: ± °

DRAFT WHERE APPLICABLE MUST REMAIN WITHIN DIMENSIONS

SCALE 5:1
DESIGN UNITS mm INCH
THIRD ANGLE PROJECTION mm INCH mm ONLY

DRAWN BY & DATE
K.S.KIM (060102)
CHECKED BY & DATE
Y.Soo.KIM
APPROVED BY & DATE
SH.CHOI

CAD FILENAME MATERIAL NO. DRAWING NO. SHEET NO.
SD-35303-010 1 OF 1

TITLE: 2.0 LOW PROFILE WAFER ASS'Y

MOLEX INCORPORATED

THIS DRAWING CONTAINS INFORMATION THAT IS PROPRIETARY TO MOLEX INCORPORATED AND SHOULD NOT BE USED WITHOUT WRITTEN PERMISSION.

SIZE B