



Chipsmall Limited consists of a professional team with an average of over 10 year of expertise in the distribution of electronic components. Based in Hongkong, we have already established firm and mutual-benefit business relationships with customers from,Europe,America and south Asia,supplying obsolete and hard-to-find components to meet their specific needs.

With the principle of "Quality Parts,Customers Priority,Honest Operation,and Considerate Service",our business mainly focus on the distribution of electronic components. Line cards we deal with include Microchip,ALPS,ROHM,Xilinx,Pulse,ON,Everlight and Freescale. Main products comprise IC,Modules,Potentiometer,IC Socket,Relay,Connector.Our parts cover such applications as commercial,industrial, and automotives areas.

We are looking forward to setting up business relationship with you and hope to provide you with the best service and solution. Let us make a better world for our industry!



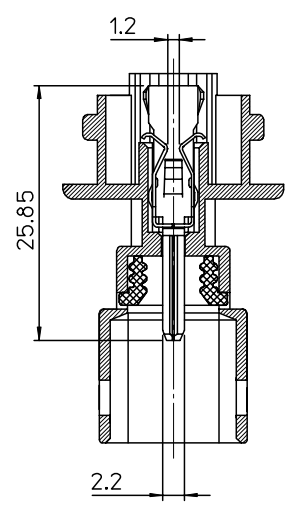
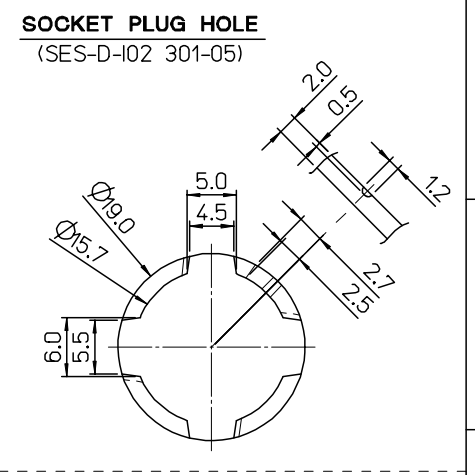
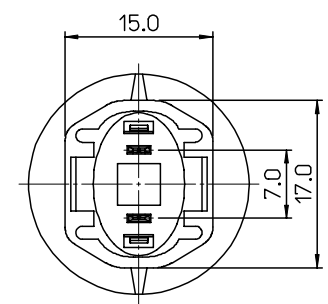
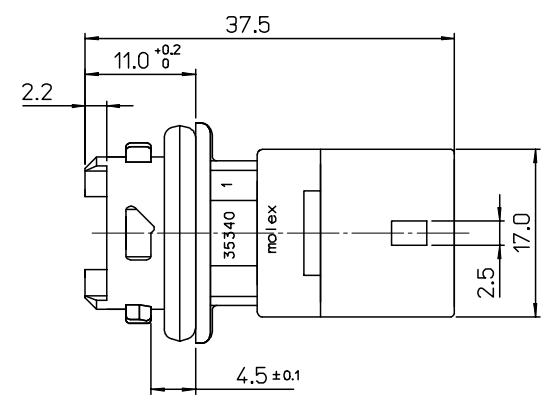
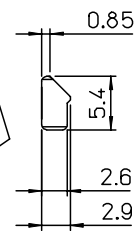
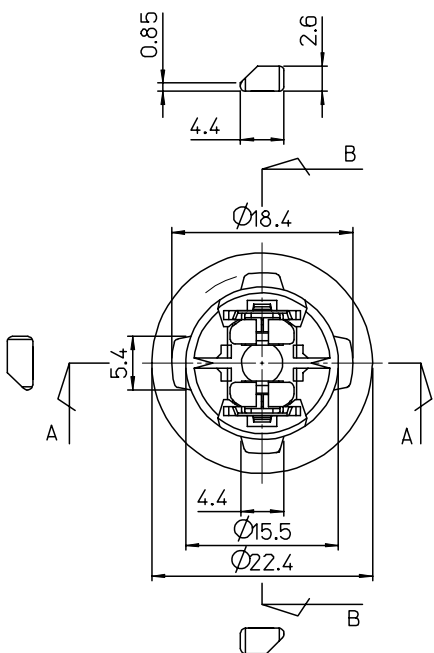
Contact us

Tel: +86-755-8981 8866 Fax: +86-755-8427 6832

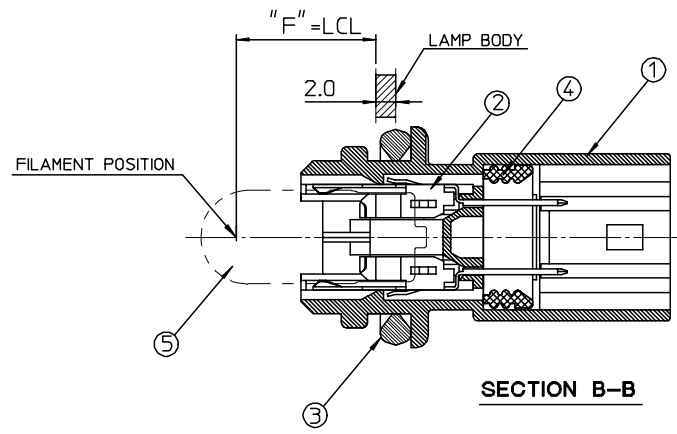
Email & Skype: info@chipsmall.com Web: www.chipsmall.com

Address: A1208, Overseas Decoration Building, #122 Zhenhua RD., Futian, Shenzhen, China





SECTION A-A



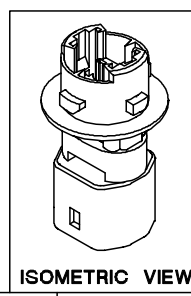
SECTION B-B

<NOTE>

- 1. ASSEMBLY PART NO. : 35340-0210
- 2. MATERIAL

NO.	PART NAME	PART NO.	MATERIAL	REMARK	Q'TY
1	SOCKET PLUG	35340-0290	POLYAMIDE(PA66)	GRAY	1
2	TERMINAL	35075-6100	COPPER ALLOY	-	2
3	O-RING	35903-0013	SILICONE	GRAY	1
4	INNER SEAL	35903-0011	SILICONE	RED	1
5	BULB	-	-	12V, 5W/18W	1

- 3. "F" DIMENSION:
ECE SPECIFICATION: 11.7mm
KS: 13.3mm



ISOMETRIC VIEW

CHANGED OF MATERIAL
EC NO: KOR2008-0070
DRW: EOKIM 2007/10/01
CHKD: BCYOUN 2007/10/01
APPR: YUNSIKKIM 2007/10/02

QUALITY SYMBOLS
▽=0
∇=0

GENERAL TOLERANCES (UNLESS SPECIFIED)

	mm	INCH
4 PLACES	± ---	± ---
3 PLACES	± ---	± ---
2 PLACES	± 0.2	± ---
1 PLACE	± 0.2	± ---
ANGULAR ± 1 °		

DRAFT WHERE APPLICABLE
MUST REMAIN
WITHIN DIMENSIONS

DIMENSION STYLE
MM ONLY

DRAWN BY	DATE	TITLE
YJKIM	1996/01/05	FSM BULB CONN. HEADER
CHECKED BY	DATE	
YJKIM	1996/01/05	MOLEX INCORPORATED
APPROVED BY	DATE	
CWLEE	1996/01/05	

MATERIAL NO. 353400210
DOCUMENT NO. SD-35340-001
SHEET NO. 1 OF 1

SCALE 2:1
DESIGN UNITS METRIC
THIRD ANGLE PROJECTION

DO NOT SCALE DRAWING DIMENSION IN METRIC

DWG. NO. **35340-0279**

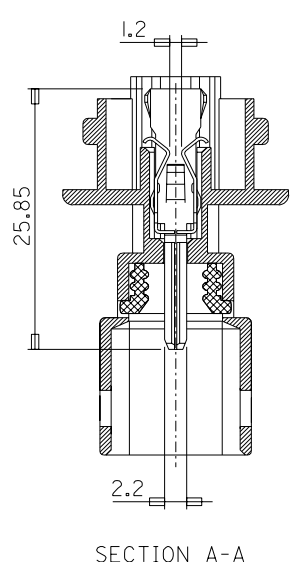
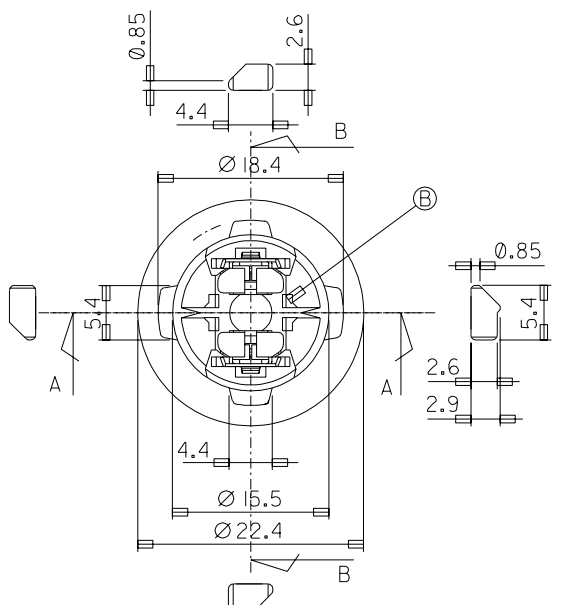
SIMILAR ITEM

PROJECT NO.

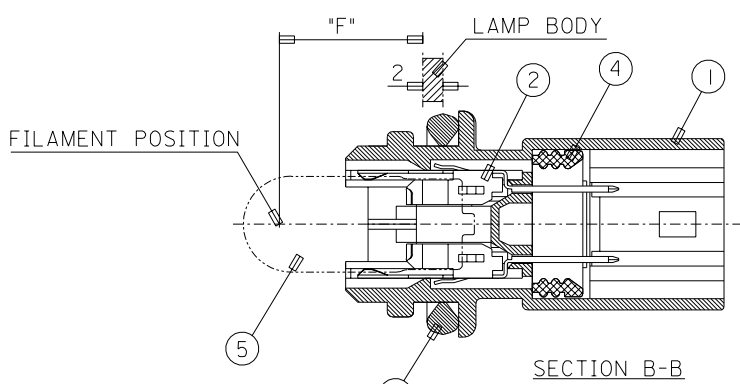
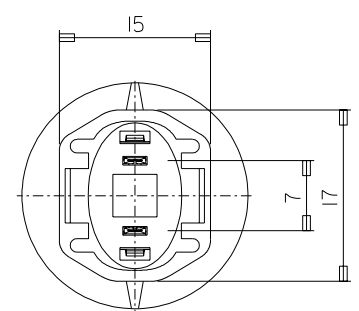
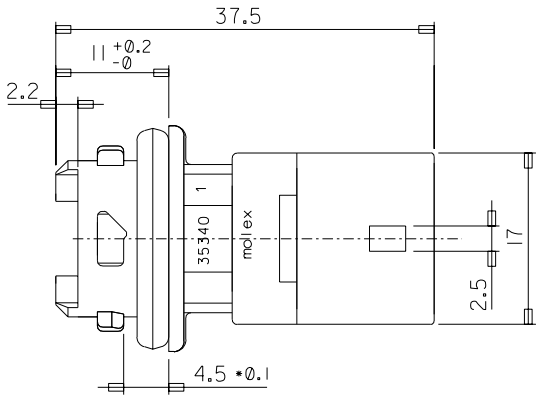
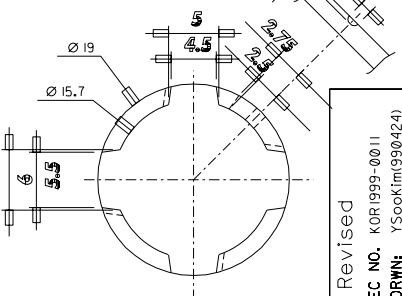
C

B

REV



SOCKET PLUG HOLE
(SES-D-102 301-05)



NOTE

1. *** ** ** ** **
2. *** ** HOLE* SES-D-102* 301-05* ***
3. *** ** BULB*** ** ** 2*** **
 ϕ 11.7 (ECE**)
 ϕ 13.3 (KS, SAE**)
4. GENERAL TOLERANCE

DIMENSION	TOLERANCE
LESS 4	\pm 0.2
4 to 8	\pm 0.25
8 to 16	\pm 0.3
16 to 32	\pm 0.4
32 to 63	\pm 0.5
63 to 126	\pm 0.6
DRAFT ANGLE	LESS 1° \sim 30°

NO	DESCRIPTION	QTY	MATERIAL	FINISH	REMARKS
5	BULB	1			12V, 5W
4	PACKING(SEAL)	1	SILICON		
3	PACKING(O-RING)	1	SILICON		
2	TERMINAL	2	Cu-ALLOY		NATURAL
1	SOCKET PLUG	1	NYLON 6		GRAY

Revised EC NO. KOR1999-0011 DRWN: YSook(mi990424) CHK: JKOh APPR: CWLee	DESCRIPTION	QUALITY SYMBOLS	GENERAL TOLERANCES: (UNLESS SPECIFIED)		SCALE	DESIGN UNITS	THIRD ANGLE PROJECTION	DIMENSIONS:	SHT	REV	
		MAJOR \blacktriangle CRITICAL \triangle	mm	INCH	2:1	mm <input checked="" type="checkbox"/> INCH <input type="checkbox"/>	<input type="checkbox"/> mm <input type="checkbox"/> INCH <input checked="" type="checkbox"/>	mm ONLY			
REV	DESCRIPTION	4 PLACES	\pm	\pm	DRAWN BY & DATE		TITLE:	FSM BULB CONN. HEADER			
		3 PLACES	\pm	\pm	YJK IM 960105						
		2 PLACES	\pm	\pm	CHECKED BY & DATE		MOLEX INCORPORATED KOREA				
		1 PLACE ^A	\pm	\pm	YJK IM 960105						
		ANGULAR: \pm °		APPROVED BY & DATE		MATERIAL NO.		DRAWING NO.	SHEET NO.		
				CAD FILENAME		SD35340.DGN		SD 35340-0270			
		DRAFT WHERE APPLICABLE MUST REMAIN WITHIN DIMENSIONS		THIS DRAWING CONTAINS INFORMATION THAT IS PROPRIETARY TO MOLEX INCORPORATED AND SHOULD NOT BE USED WITHOUT WRITTEN PERMISSION.						SIZE	B