



Chipsmall Limited consists of a professional team with an average of over 10 year of expertise in the distribution of electronic components. Based in Hongkong, we have already established firm and mutual-benefit business relationships with customers from,Europe,America and south Asia,supplying obsolete and hard-to-find components to meet their specific needs.

With the principle of “Quality Parts,Customers Priority,Honest Operation,and Considerate Service”,our business mainly focus on the distribution of electronic components. Line cards we deal with include Microchip,ALPS,ROHM,Xilinx,Pulse,ON,Everlight and Freescale. Main products comprise IC,Modules,Potentiometer,IC Socket,Relay,Connector.Our parts cover such applications as commercial,industrial, and automotives areas.

We are looking forward to setting up business relationship with you and hope to provide you with the best service and solution. Let us make a better world for our industry!



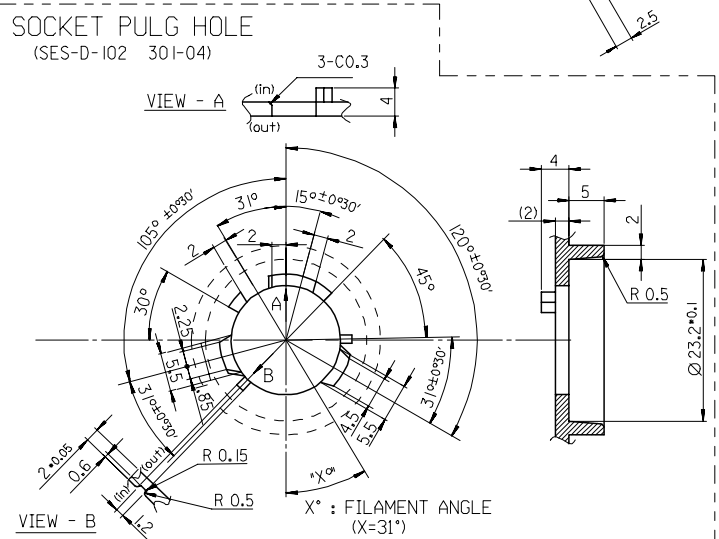
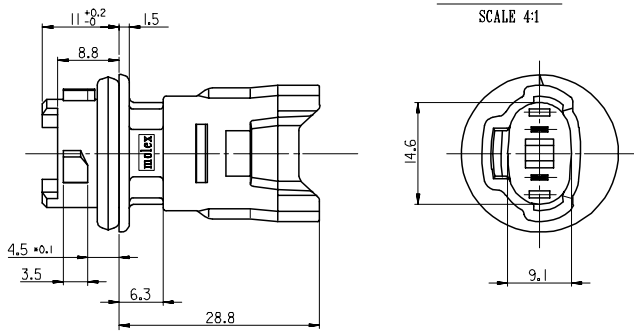
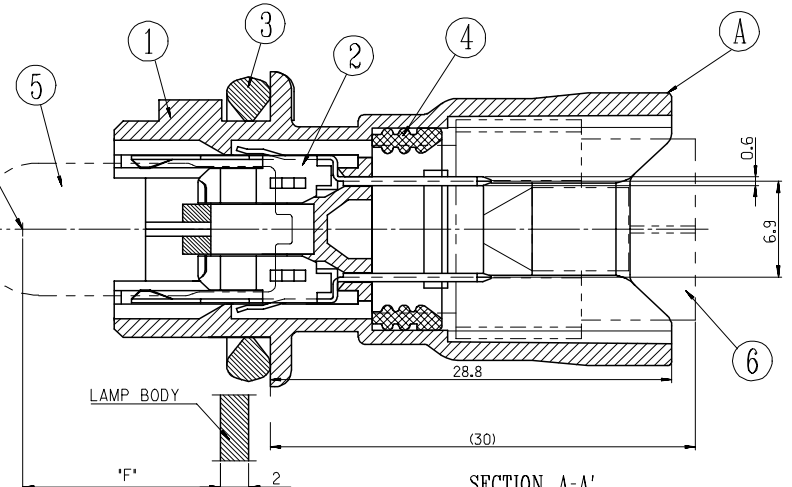
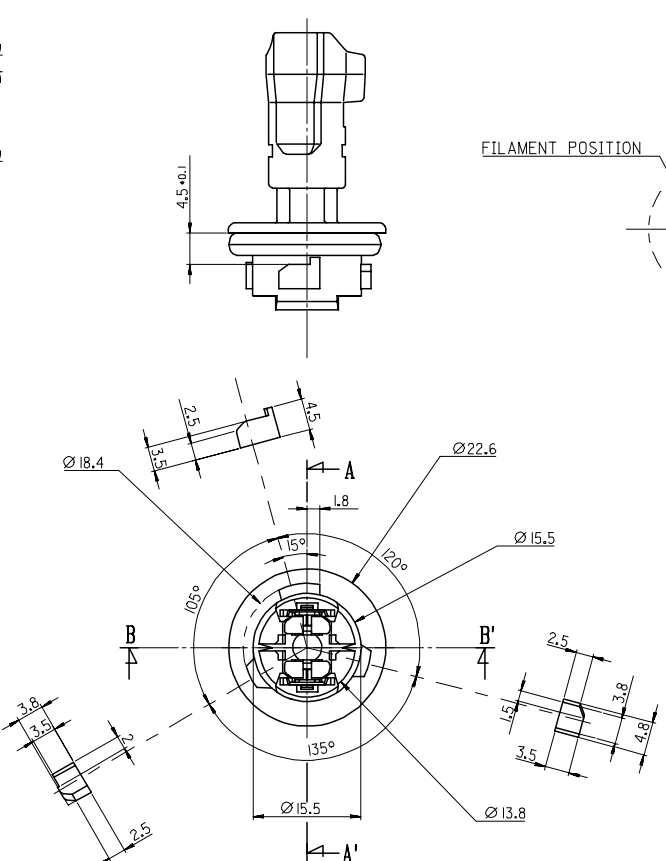
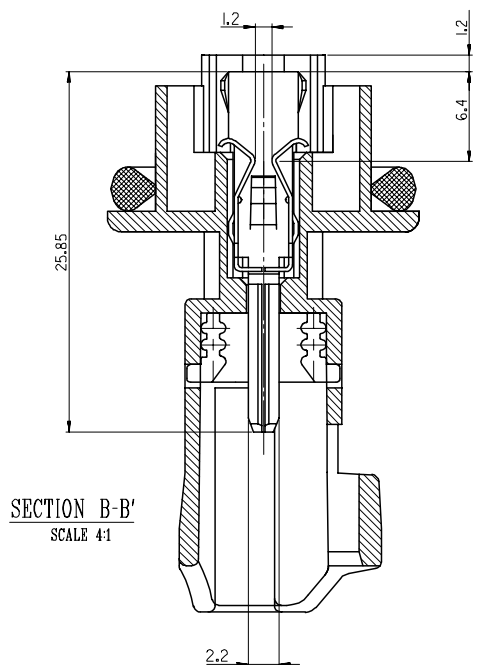
## Contact us

Tel: +86-755-8981 8866 Fax: +86-755-8427 6832

Email & Skype: info@chipsmall.com Web: www.chipsmall.com

Address: A1208, Overseas Decoration Building, #122 Zhenhua RD., Futian, Shenzhen, China





- NOTES**
1. MATERIAL: SOCKET PLUG POLYAMIDE(PA66), 40% MINERAL FILLED, UL94HB  
TERMIANL: COPPER-ALLOY, 0.3T  
OTHERS: SEE TABLE
  2. FINISH: SEE TABLE
  3. PRODUCT SPECIFICATION: PS-35340-001
  4. "F" DIMENSION:  
1IEGE SPECIFICATION: 11.7mm  
2KKS: 13.3mm
  5. MATES WITH 35512

GRAY	1	POLYAMIDE	SOCKET PLUG	355120200	35512-0200	⑥
12V 5W	1	-	BULB	-	-	⑤
RED	1	SILICON	INNER SEAL	359030011	35903-0011	④
DARK GRAY	1	RUBBER	O-RING	359030013	35903-0013	③
-	2	Cu-ALLOY	TERMINAL	350756100	35075-6100	②
GRAY	1	POLYAMIDE	STS HEADER	353410290	35341-0290	①
-	-	-	SOCKET ASSY	353410210	35341-0210	①
FINISH	Q'TY	MATERIAL	DECRPTION	MATERIAL NO	ENG NO	NO

<b>CHANGED OF MATERIAL</b> EIC NO: KOR2008-0070 DRW: NEEKIM 2007/10/04 CHK: BCYOUN 2007/10/04 APPR: YUNSIKIM 2007/10/02	QUALITY SYMBOLS ▽=0 ▽=0	GENERAL TOLERANCES (UNLESS SPECIFIED) mm INCH 4 PLACES ± --- ± --- 3 PLACES ± --- ± --- 2 PLACES ± 0.2 ± --- 1 PLACE ± 0.2 ± --- ANGULAR ± 1 °		DIMENSION STYLE MM ONLY DRAWN BY DATE YSOOKIM 1996/01/05 CHECKED BY DATE JKOH 1996/01/05 APPROVED BY DATE CWLEE 1996/01/05		SCALE 2:1	DESIGN UNITS METRIC	THIRD ANGLE PROJECTION	
		DRAFT WHERE APPLICABLE MUST REMAIN WITHIN DIMENSIONS		MATERIAL NO. 353410210		DOCUMENT NO. SD-35341-001		SHEET NO. 1 OF 1	

**MOLEX INCORPORATED**

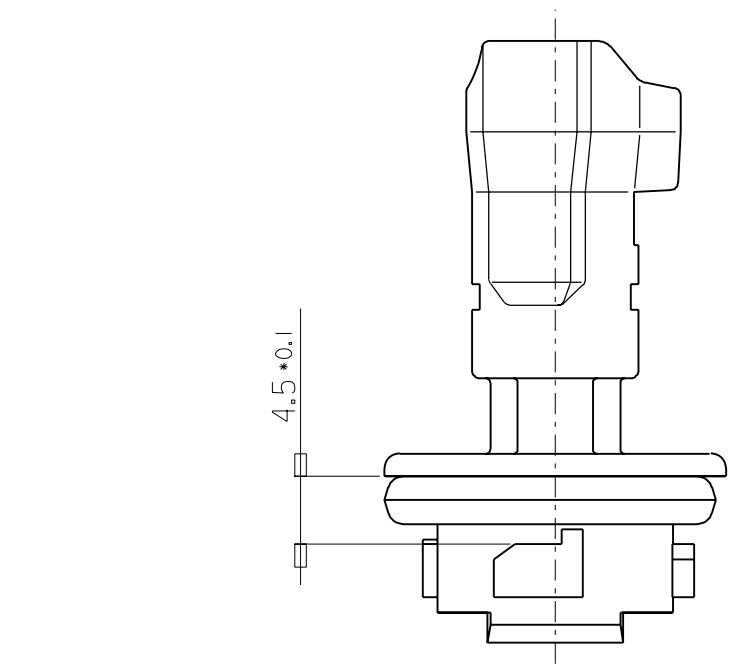
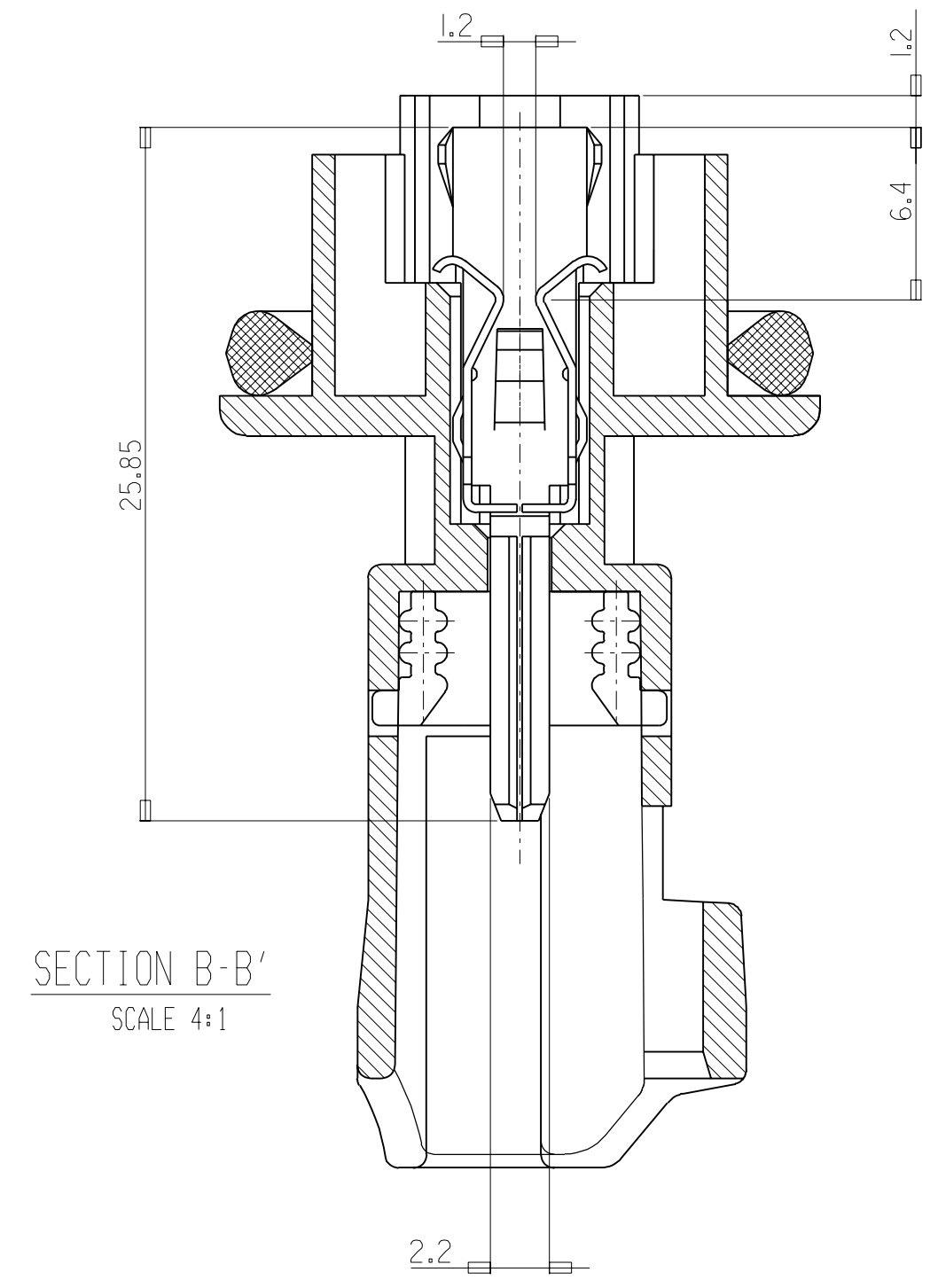
THIS DRAWING CONTAINS INFORMATION THAT IS PROPRIETARY TO MOLEX INCORPORATED AND SHOULD NOT BE USED WITHOUT WRITTEN PERMISSION

DO NOT SCALE DRAWING DIMENSION IN METRIC

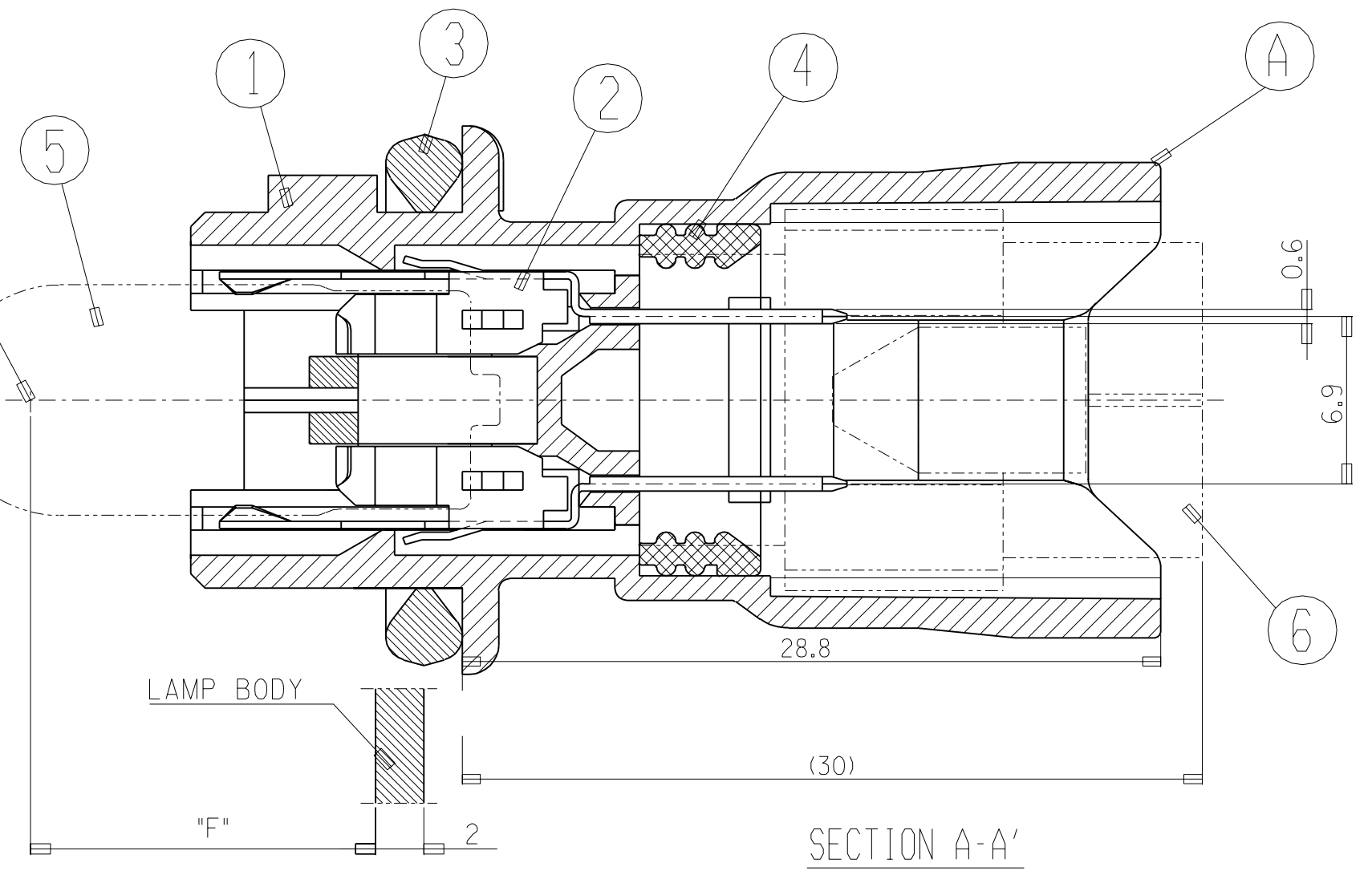
PROJECT NO. SD-35341-001

SIMILAR ITEM

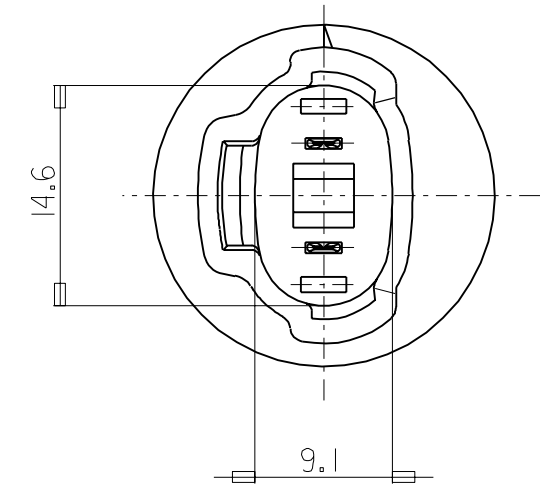
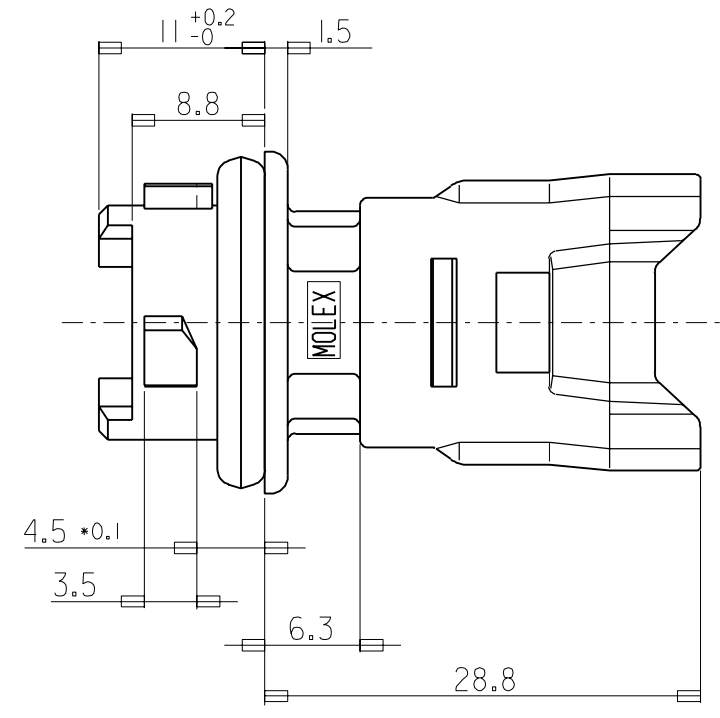
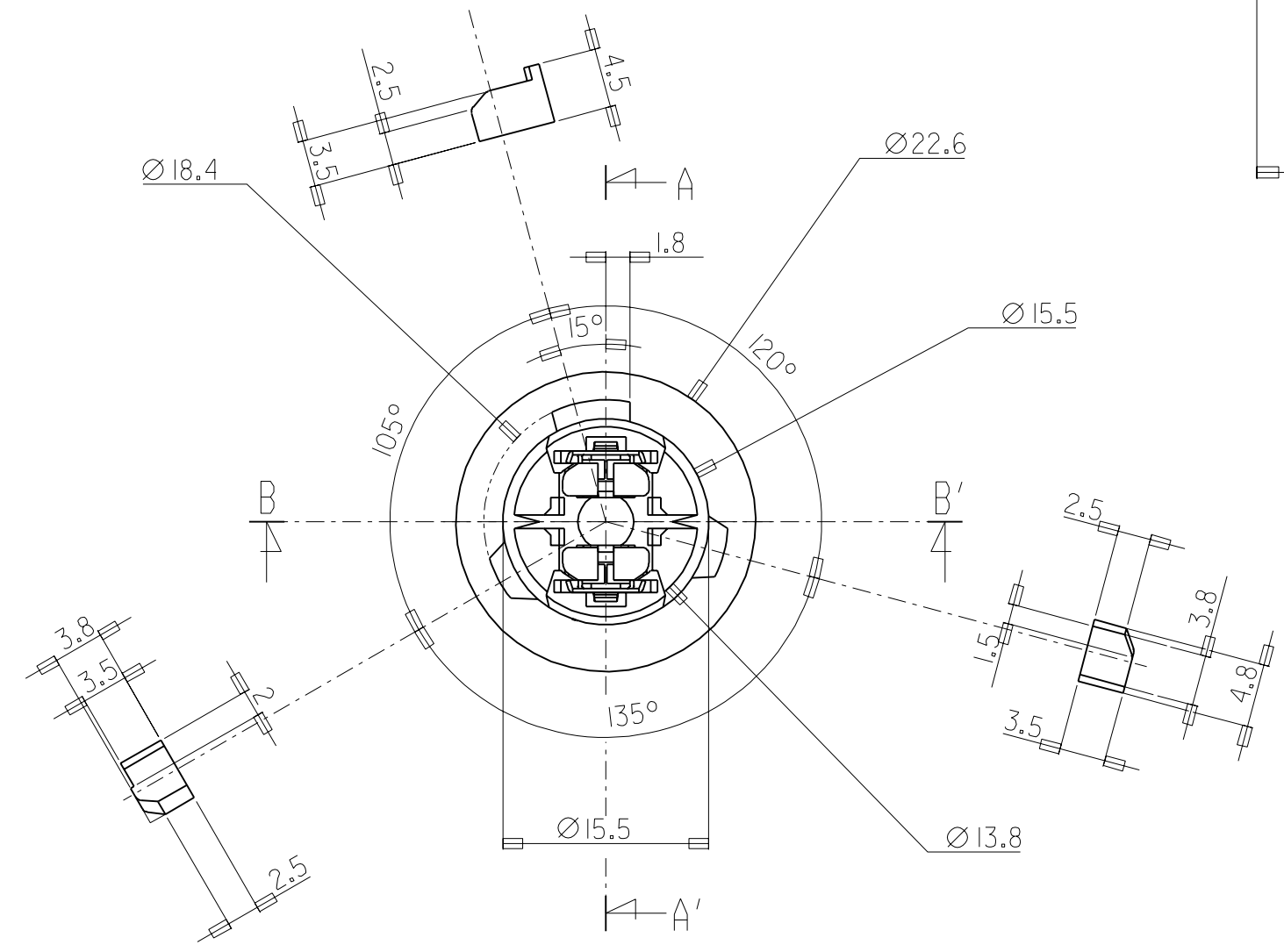
DWG. NO. SD-35341-001



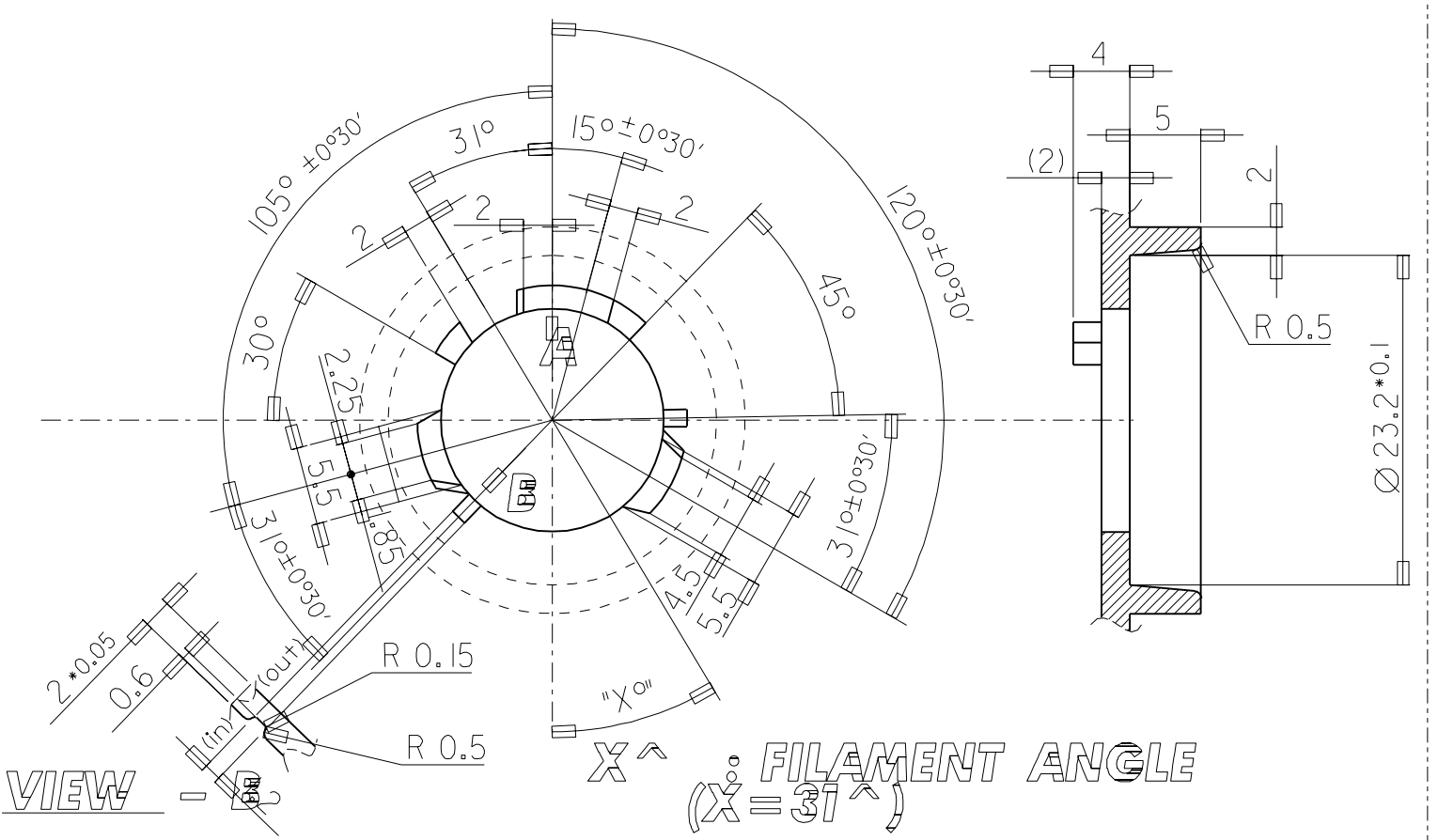
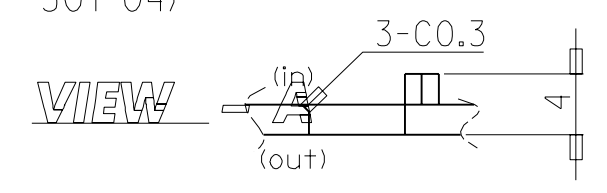
FILAMENT POSITION



SECTION A-A'  
SCALE 4:1



**SOCKET PULG HOLE**  
(SES-D-102 301-04)



**NOTES**

- MATERIAL : SOCKET PLUG POLYAMIDE, UL94V-0  
TERMINAL : COPPER-ALLOY, 0.3+  
OTHERS : SEE TABLE
- FINISH : SEE TABLE
- PRODUCT SPECIFICATION : PS 35340-001
- "F" DIMENSION  
(1) ECE SPECIFICATION : 11.7mm  
(2) KS : 13.3mm
- MATES WITH 35512
- GENERAL TOLERANCE

DIMENSION	TOLERANCE
LESS 4	±0.2
4 TO 8	±0.25
8 TO 16	±0.3
16 TO 32	±0.4
32 TO 63	±0.5
63 TO 126	±0.6
DRAFT ANGLE	LESS 1° 30'

GRAY	1	POLYAMIDE	SOCKET PLUG	355120200	35512-0200	⑥
12V 5W	1	-	BULB	-	-	⑤
RED	1	SILICON	INNER SEAL	359030011	35903-0011	④
DARK GRAY	1	RUBBER	O-RING	359030013	35903-0013	③
-	2	CU-ALLOY	TERMINAL	350756100	35075-6100	②
GRAY	1	POLYAMIDE	STS HEADER	353410290	35341-0290	①
-	-	-	SOCKET ASSY	353410210	35341-0210	Ⓐ
FINISH	Q'TY	MATERIAL	DESCRIPTION	MATERIAL NO	ENG NO	NO

REVISED EC NO. KOR2001-0033 DRWN: YSOOK (m010412) CHK: J.K.OH APPR: C.W.LEE	QUALITY SYMBOLS MAJOR = CRITICAL =	GENERAL TOLERANCES: (UNLESS SPECIFIED)		SCALE 2:1	DESIGN UNITS <input checked="" type="checkbox"/> mm <input type="checkbox"/> INCH	DIMENSIONS: <input type="checkbox"/> mm <input type="checkbox"/> INCH <input checked="" type="checkbox"/> mm ONLY		SHT	REV
		4 PLACES ±0.1	±0.1	DRAWN BY & DATE Y.Soo.Kim 960105	THIRD ANGLE PROJECTION				
C	DESCRIPTION	3 PLACES ±0.1	±0.1	CHECKED BY & DATE J.K.OH	TITLE: STS BULB SOCKET ASSY				
		2 PLACES ±0.1	±0.1	APPROVED BY & DATE C.W.LEE	MOLEX INCORPORATED KOREA				
		1 PLACE ±0.1	±0.1	CAD FILENAME SD35341.DGN	MATERIAL NO. SEE TABLE	DRAWING NO. SD-35341-001	SHEET NO. 1 of 1	SIZE C	
		DRAFT WHERE APPLICABLE MUST REMAIN WITHIN DIMENSIONS		THIS DRAWING CONTAINS INFORMATION THAT IS PROPRIETARY TO MOLEX INCORPORATED AND SHOULD NOT BE USED WITHOUT WRITTEN PERMISSION.				MX-A2	