



Chipsmall Limited consists of a professional team with an average of over 10 year of expertise in the distribution of electronic components. Based in Hongkong, we have already established firm and mutual-benefit business relationships with customers from,Europe,America and south Asia,supplying obsolete and hard-to-find components to meet their specific needs.

With the principle of "Quality Parts,Customers Priority,Honest Operation,and Considerate Service",our business mainly focus on the distribution of electronic components. Line cards we deal with include Microchip,ALPS,ROHM,Xilinx,Pulse,ON,Everlight and Freescale. Main products comprise IC,Modules,Potentiometer,IC Socket,Relay,Connector.Our parts cover such applications as commercial,industrial, and automotives areas.

We are looking forward to setting up business relationship with you and hope to provide you with the best service and solution. Let us make a better world for our industry!



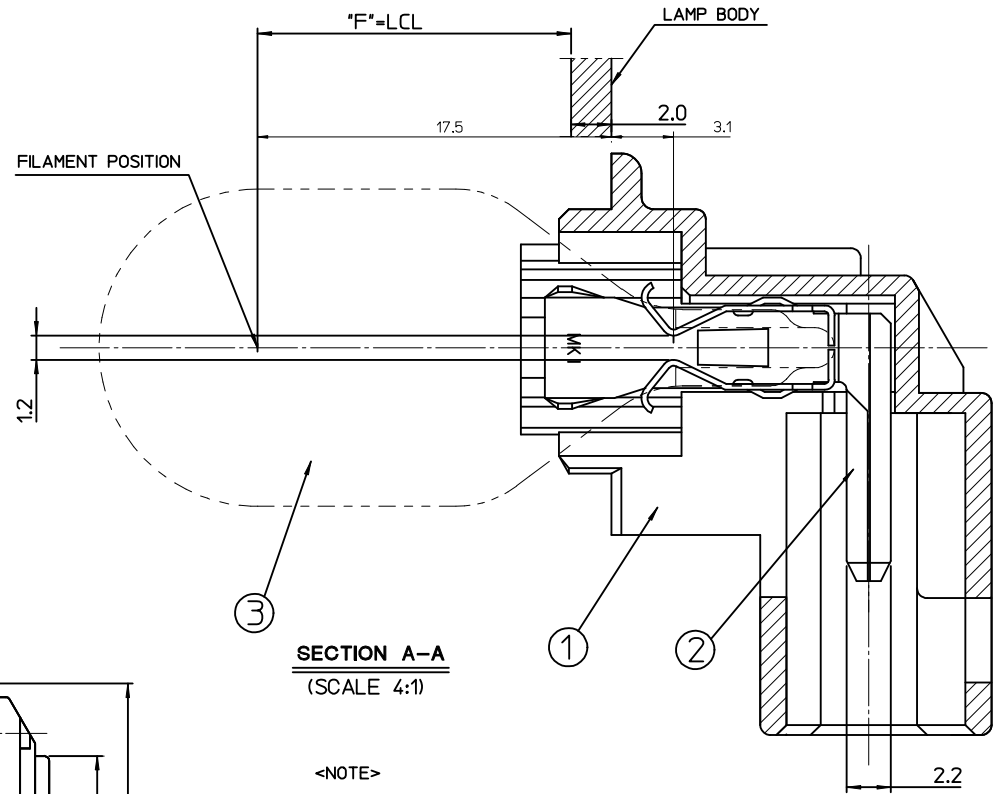
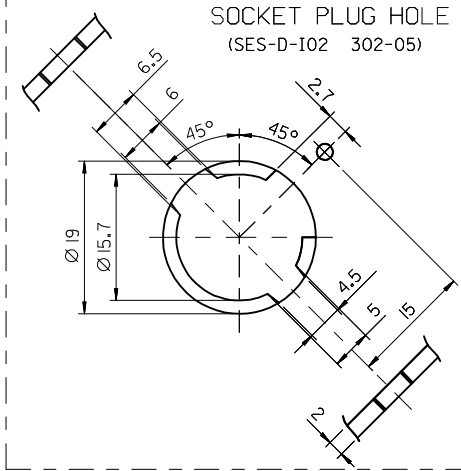
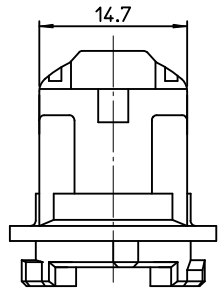
Contact us

Tel: +86-755-8981 8866 Fax: +86-755-8427 6832

Email & Skype: info@chipsmall.com Web: www.chipsmall.com

Address: A1208, Overseas Decoration Building, #122 Zhenhua RD., Futian, Shenzhen, China





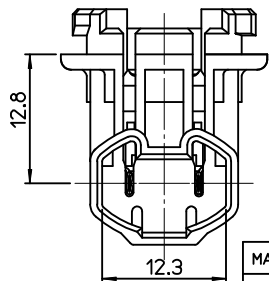
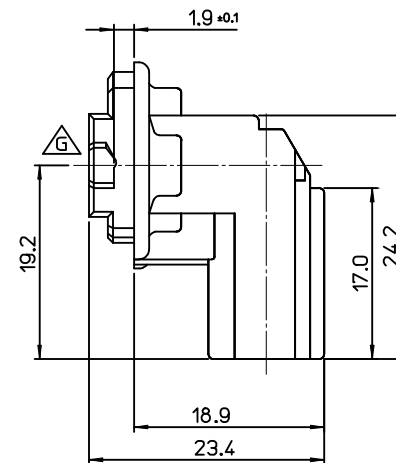
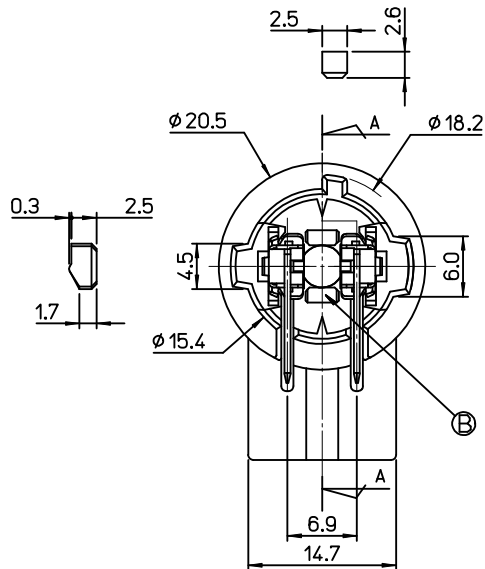
SECTION A-A
(SCALE 4:1)

<NOTE>

- 1. ASSEMBLY PART NO. : 35343-021*
- 2. MATERIAL

NO.	PART NAME	PART NO.	MATERIAL	REMARK	Q'TY
1	SOCKET PLUG	35343-029*	POLYAMIDE(PA66)	GRAY/BLACK	1
2	TERMINAL	35077-6200	COPPER ALLOY	UN-PLATED	1
		35077-6100			1
3	BULB	-	-	12V W5W/W16W	1

3. 'F' DIMENSION (W16W) : 15.5mm



MATERIAL NO.	ENG NO.	COLOR
353430210	35343-0210	GRAY
353430211	35343-0211	BLACK

ADDED OPTION
EC NO: KTR2015-0125
DRWN:JKSE001 2015/06/26
CHKD:
APPR: JHBAE 2015/07/21

QUALITY SYMBOLS
▽=0
▽=0

	GENERAL TOLERANCES (UNLESS SPECIFIED)	
	mm	INCH
4 PLACES	± ---	± ---
3 PLACES	± ---	± ---
2 PLACES	± ---	± ---
1 PLACE	± 0.25	± ---
ANGULAR ± 1 °		

DRAFT WHERE APPLICABLE
MUST REMAIN
WITHIN DIMENSIONS

DIMENSION STYLE		SCALE	DESIGN UNITS	THIRD ANGLE PROJECTION
MM ONLY		2:1	METRIC	☐
DRAWN BY	DATE	TITLE		
KSKIM	1996/01/05	HMS BULB CONN. HEADER		
CHECKED BY	DATE	MATERIAL NO.		
JKOH	1996/01/05	SEE TABLE		
APPROVED BY	DATE	DOCUMENT NO.		
CWLEE	1996/01/05	SD-35343-001		
SIZE		SHEET NO.		
A3		1 OF 1		

THIS DRAWING CONTAINS INFORMATION THAT IS PROPRIETARY TO MOLEX INCORPORATED AND SHOULD NOT BE USED WITHOUT WRITTEN PERMISSION