



Chipsmall Limited consists of a professional team with an average of over 10 year of expertise in the distribution of electronic components. Based in Hongkong, we have already established firm and mutual-benefit business relationships with customers from,Europe,America and south Asia,supplying obsolete and hard-to-find components to meet their specific needs.

With the principle of “Quality Parts,Customers Priority,Honest Operation,and Considerate Service”,our business mainly focus on the distribution of electronic components. Line cards we deal with include Microchip,ALPS,ROHM,Xilinx,Pulse,ON,Everlight and Freescale. Main products comprise IC,Modules,Potentiometer,IC Socket,Relay,Connector.Our parts cover such applications as commercial,industrial, and automotives areas.

We are looking forward to setting up business relationship with you and hope to provide you with the best service and solution. Let us make a better world for our industry!



## Contact us

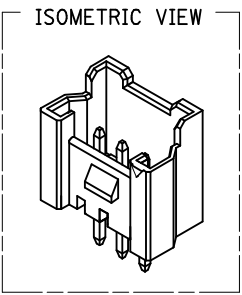
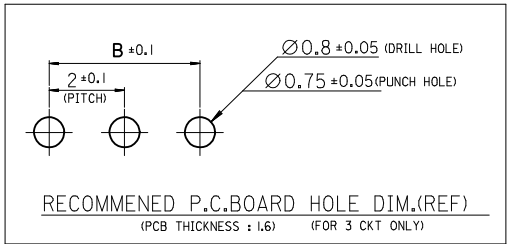
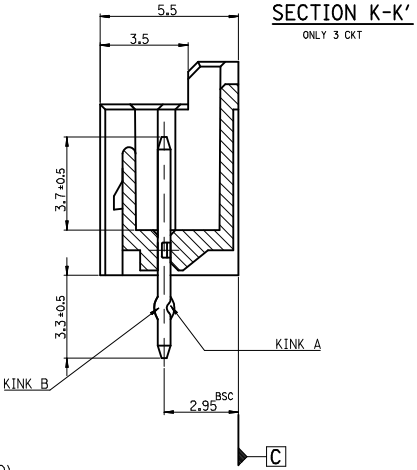
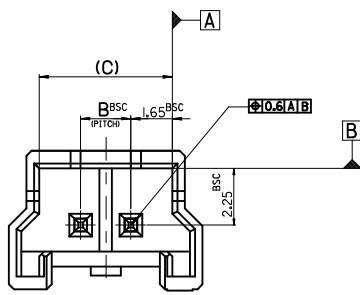
Tel: +86-755-8981 8866 Fax: +86-755-8427 6832

Email & Skype: info@chipsmall.com Web: www.chipsmall.com

Address: A1208, Overseas Decoration Building, #122 Zhenhua RD., Futian, Shenzhen, China



FOR 2 & 3 CKTS.



**LEGEND**

SD-35362-\*\*\*  
 CKT NO. \_\_\_\_\_ COLOR \_\_\_\_\_

FINAL GOOD (BULK)	5 : SELECTIVE KINK (LEAD FREE)	6 : NONE KINK (LEAD FREE)
SUB ASSY (TUBE)	7 : SELECTIVE KINK (LEAD FREE)	

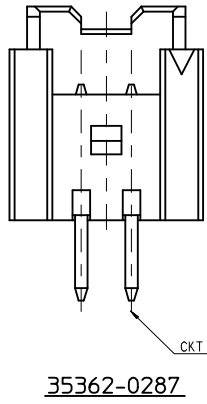
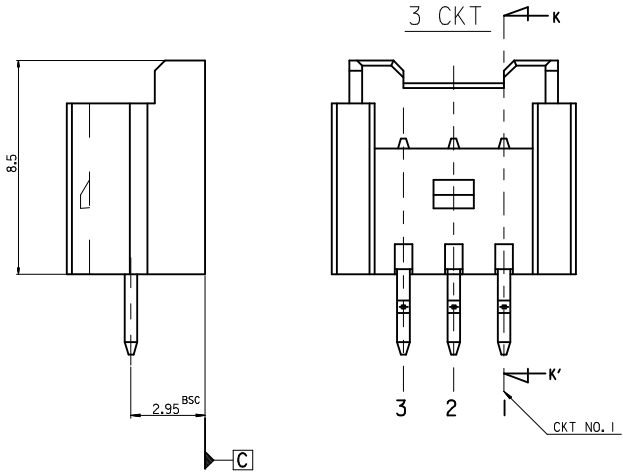
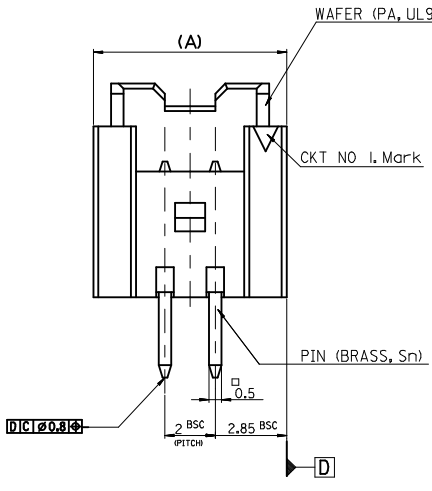
0 : NATURAL
1 : BLACK
2 : RED
3 : YELLOW
4 : BLUE
5 : GREEN
6 : TUBE PACKING (Natural Color)
7 : TUBE PACKING (Red Color)
8 : TUBE PACKING (Blue Color)

- NOTES**
- MATERIAL : UNFILLED POLYAMIDE, UL94V-0  
PIN : BRASS
  - FINISHES : PIN : Tin(Sn) 1-3µm OVERALL
  - PRODUCT SPECIFICATION : PS-35507-003
  - MATING HOUSING : 35507-\*\*\*0\*  
MATING TERMINAL : 50212-8000
  - KINK

CKT NO	1	2	3
2 CKT			
3 CKT	A	B	A

CKT NO	1	2
PRODUCT NO.	A	B
35362-0287	A	B



35362-0287

7.3	4	9.7	3536203**	35362-03**	3
5.3	2	7.7	3536202**	35362-02**	2
(C)	B	(A)	MATERIAL NO.	ENG. NO.	CKT

**LEAD FREE**

30 over	±0.3
10 over 30 under	±0.25
10 under	±0.2
ANGLE	±3°
GENERAL TOLERANCE	

REVISED  
 EC NO: KOR2015-0019  
 T1 DRW: NKT1M01 2014/08/25  
 CHYKD: HSKIM 2014/08/26  
 APPR: YSKIM02 2014/09/03

QUALITY SYMBOLS	▽=0	GENERAL TOLERANCES (UNLESS SPECIFIED)	DIMENSION STYLE	
	▽=0		MM ONLY	
DESCRIPTION	▽=0	DRAWN BY	DATE	
	▽=0		YSOOKIM	1996/09/11
REV	4 PLACES	CHECKED BY	TITLE	
			JKOH	2.0 W/B WAFER ASS'Y -LEAD FREE-
REV	3 PLACES	APPROVED BY	DATE	
	2 PLACES			
REV	1 PLACE	MATERIAL NO.	DOCUMENT NO.	
	0 PLACE			SD-35362-002
REV	ANGULAR ±---°	SIZE	SHEET NO.	
	DRAFT WHERE APPLICABLE MUST REMAIN WITHIN DIMENSIONS		A3	1 OF 1

SCALE 5:1 DESIGN UNITS METRIC

THIRD ANGLE PROJECTION

**molex**

THIS DRAWING CONTAINS INFORMATION THAT IS PROPRIETARY TO MOLEX INCORPORATED AND SHOULD NOT BE USED WITHOUT WRITTEN PERMISSION