



Chipsmall Limited consists of a professional team with an average of over 10 year of expertise in the distribution of electronic components. Based in Hongkong, we have already established firm and mutual-benefit business relationships with customers from,Europe,America and south Asia,supplying obsolete and hard-to-find components to meet their specific needs.

With the principle of “Quality Parts,Customers Priority,Honest Operation,and Considerate Service”,our business mainly focus on the distribution of electronic components. Line cards we deal with include Microchip,ALPS,ROHM,Xilinx,Pulse,ON,Everlight and Freescale. Main products comprise IC,Modules,Potentiometer,IC Socket,Relay,Connector.Our parts cover such applications as commercial,industrial, and automotives areas.

We are looking forward to setting up business relationship with you and hope to provide you with the best service and solution. Let us make a better world for our industry!



Contact us

Tel: +86-755-8981 8866 Fax: +86-755-8427 6832

Email & Skype: info@chipsmall.com Web: www.chipsmall.com

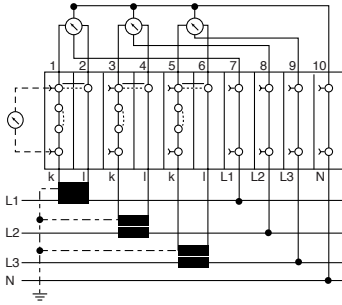
Address: A1208, Overseas Decoration Building, #122 Zhenhua RD., Futian, Shenzhen, China



Disconnect Terminals

Slide link disconnect terminals offer a superior solution for simple current transformer circuits and measurement transformer test sets using SAKT 1/LT lateral disconnect terminals, or SAKT 1/DU feed through terminals and SAKT 1/QT cross disconnect terminals.

Current transformers must always have a closed secondary circuit, even when changing measuring equipment (see schematic below).



Stationary Jumpers

QL jumpers serve as fixed cross-connections for the Disconnect Terminals. The QL jumpers require the use of a fixing screw (BS M) and a connection sleeve (VH) when attaching the jumper to the current bar. The WQV jumpers are provided with a retained jumper screw.

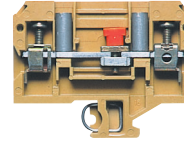
Sliding Jumpers

QS and QVS jumpers are sliding jumpers. These jumpers are used to temporarily connect or disconnect adjacent terminal blocks. When the jumper screws are loose, the jumper can move to either open or close the cross connection between blocks. Tightening the jumper screws holds the jumper in either the open (disconnected) or closed (shorted) position.

QB jumpers work in a similar manner except that the jumpers remain fixed. An internal sliding connection link connected to the current bar either opens or closes the connection based on whether the link is in contact with the jumper or not.

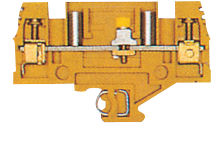
SSP disconnect locks snap into the terminal block. These locks must be removed to change the position of the sliding link connection.

SAKT 1/LT



Slide Link

SAKT 2/LT



Slide Link

Terminal Block Selection Data

Available Options	Version	Slide Link	Slide Link
PA			
2 StB test points PA		0105660000	
Back wall closed KrG		0269120000	0105420000
Back wall open KrG			0445420000
4 StB 14 test points ø4.0 KrG 60 V**			0437720000
1 StB 8.5 test point ø2.0 KrG			0106020000
1 StB 8.5 test point ø2.3 KrG			
2 StB 14 test points ø4 KrG		0437920000	0105620000
2 StB 14 test points ø2.3 KrG		0330620000	0105920000

Dimensions

Width / Length / Height mm (in.)	for TS 32	for TS 35	Slide Link	Slide Link
			8/65/52.5 (.31/2.56/2.07)	8/82/52.5 (.31/3.23/2.07)
			8/65/48.5 (.31/2.56/1.91)	8/82/48.5 (.31/3.23/1.91)
Insulation stripping length			12 (.47)	12 (.47)

Technical Data

Rated voltage / rated current / wire size UL	CSA	VDE	Type	Part No.	Type	Part No.
			300 V / 25 A / #22...8 AWG*	0105660000	300 V / 25 A / #22...8 AWG*	0105660000
			300 V / 25 A / #26...8 AWG	0269120000	300 V / 25 A / #26...8 AWG	0269120000
			380 VAC / 27 A / 6 mm ²	0437920000	380 VAC / 27 A / 6 mm ²	0437920000
Torque			Nm (lb. in.)	1.7 (16)	1.7 (16)	1.7 (16)
Clamping screw			M	3.5	3.5	3.5

Selected Accessory Data[‡]

End Plate (thickness mm)	Type	Part No.	Type	Part No.	
PA	AP (1.5)	0146760000	AP (1.5)	0146760000	
KrG	AP (3.0)	0146720000	AP (1.5)	0329120000	
Partition (thickness mm)	PA	TW (1.5)	0242960000	TW (1.5)	0242960000
KrG	TW (3.0)	0242920000	TW (2.5)	0351820000	
HP	TW (0.5)	0474700000	TW (0.5)	0474700000	
Small Partition	TSch 2	0353660000	TSch 2	0353660000	
Jumpers	QL 2	0194300000	QL 2	0194300000	
	QL 3	0194400000	QL 3	0194400000	
	QL 4	0194500000	QL 4	0194500000	
	QL 10	0338300000	QL 10	0338300000	
	VH 12	0249000000	VH 12	0249000000	
	BS M 3 x 20 Cu	0377100000	BS M 3 x 20 Cu	0377100000	
	QS 2	0270960000	QS 2	0270960000	
	QVS 2	0307300000	QVS 2	0307300000	
	QVS 3	0329300000	QVS 3	0329300000	
	QVS 4	0307400000	QVS 4	0307400000	
	VH 19	0318000000	VH 19	0318000000	
	BS 25 bare	0334700000	BS 25 bare	0334700000	
Switchable Jumper Links	QB 2	0205700000	QB 2	0205700000	
	QB 3	0205800000	QB 3	0205800000	
	QB 4	0205900000	QB 4	0205900000	
	QB 10	0343800000	QB 10	0343800000	
Test Plugs	PS 4	0299600000	PS 4	0299600000	
Disconnect Lock	SSP 3	0531760000	SSP 3	0531760000	
Marking Tags	DEK 5/6	0468660001	DEK 5/6	0468660001	
	DEK 5/6	0468760001	DEK 5/6	0468760001	

Final number indicates number of poles. See the Accessories Section for more information.

Connection sleeve
Fixing screw



QB

Test Plugs

Disconnect Lock

Marking Tags

Note: Part numbers are shown for a single card of pre-printed tags numbered 1-50.

Consecutive horizontal
Consecutive vertical

[‡]See Accessories section for additional information.
*For TS 35 #22...8 AWG
**With AP 380 V