



Chipsmall Limited consists of a professional team with an average of over 10 year of expertise in the distribution of electronic components. Based in Hongkong, we have already established firm and mutual-benefit business relationships with customers from,Europe,America and south Asia,supplying obsolete and hard-to-find components to meet their specific needs.

With the principle of “Quality Parts,Customers Priority,Honest Operation,and Considerate Service”,our business mainly focus on the distribution of electronic components. Line cards we deal with include Microchip,ALPS,ROHM,Xilinx,Pulse,ON,Everlight and Freescale. Main products comprise IC,Modules,Potentiometer,IC Socket,Relay,Connector.Our parts cover such applications as commercial,industrial, and automotives areas.

We are looking forward to setting up business relationship with you and hope to provide you with the best service and solution. Let us make a better world for our industry!



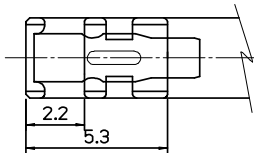
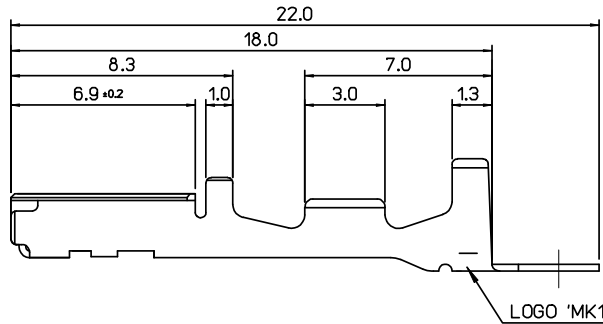
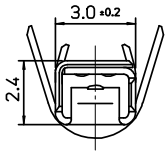
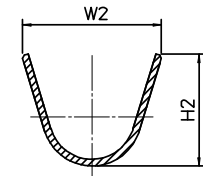
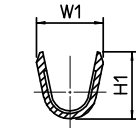
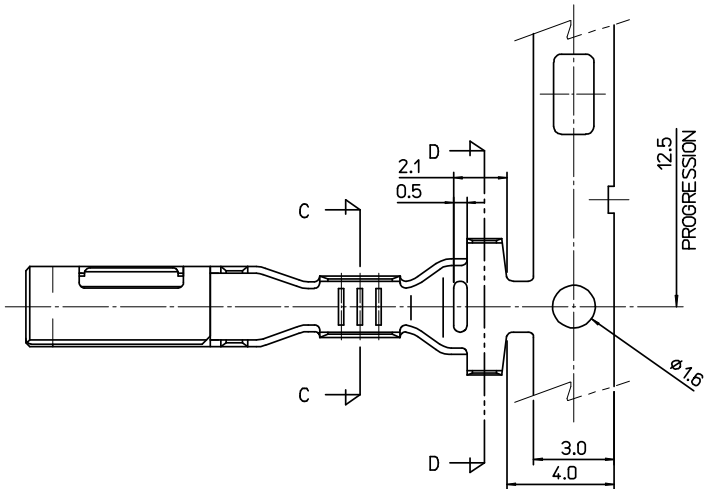
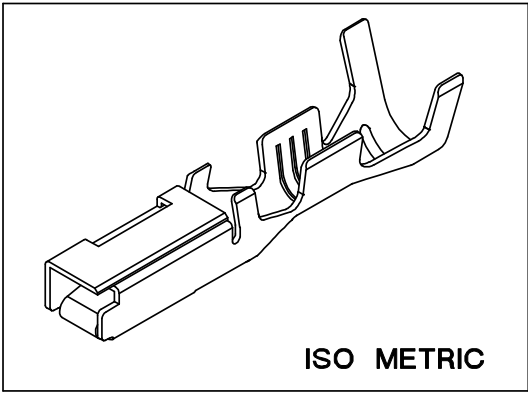
Contact us

Tel: +86-755-8981 8866 Fax: +86-755-8427 6832

Email & Skype: info@chipsmall.com Web: www.chipsmall.com

Address: A1208, Overseas Decoration Building, #122 Zhenhua RD., Futian, Shenzhen, China





NOTES

1. MATERIAL: COPPER ALLOY, $t=0.25\text{mm}$
2. FINISH: PRE-TIN PLATED
3. RECOMMENDED LENGTH OF WIRE STRIP: 5.0-5.6

| NO. | ENG. NO. | TYPE | DESCRIPTION | CABLE SIZE(mm ²) AVS. AVSS | DIMENSION | | | |
|-----|------------|------|--------------------------|---|-----------|-----|-----|-----|
| | | | | | W1 | H1 | W2 | H2 |
| 1 | 35407-6702 | S | .090 SEALED FEMALE TER'L | 0.3 - 0.5 | 2.5 | 2.2 | 5.1 | 4.2 |
| 2 | 35407-6802 | M | .090 SEALED FEMALE TER'L | 0.85-1.25 | 2.6 | 3.0 | 5.2 | 4.7 |
| 3 | 35407-6902 | L | .090 SEALED FEMALE TER'L | 2.0 | 4.0 | 3.5 | 5.2 | 4.7 |

CHANGED OF ISOMETRIC
 EC NO: KOR2008-0108
 DRAWNEOKIM 2007/12/28
 CHKD:BCYOON 2008/01/02
 APPR: YUNSIKKIM 2008/01/02

QUALITY SYMBOLS

▽=0

▽=0

GENERAL TOLERANCES (UNLESS SPECIFIED)

| | mm | INCH |
|----------|--------|-------|
| 4 PLACES | ± --- | ± --- |
| 3 PLACES | ± --- | ± --- |
| 2 PLACES | ± --- | ± --- |
| 1 PLACE | ± 0.25 | ± --- |

ANGULAR ± 1 °

DRAFT WHERE APPLICABLE
 MUST REMAIN
 WITHIN DIMENSIONS

DIMENSION STYLE
 MM ONLY

| DRAWN BY | DATE |
|-------------|------------|
| BCYOON | 1998/04/10 |
| CHECKED BY | DATE |
| BKCHOI | 1998/04/10 |
| APPROVED BY | DATE |
| CWLEE | 1998/04/10 |

MATERIAL NO.

SEE TABLE

SIZE
 A3

SCALE
 5:1

DESIGN UNITS
 METRIC

THIRD ANGLE PROJECTION

TITLE
 .090 SEALED FEMALE TER'L

MOLEX INCORPORATED

DOCUMENT NO. SD-35407-001 SHEET NO. 1 OF 1

THIS DRAWING CONTAINS INFORMATION THAT IS PROPRIETARY TO MOLEX INCORPORATED AND SHOULD NOT BE USED WITHOUT WRITTEN PERMISSION