



Chipsmall Limited consists of a professional team with an average of over 10 year of expertise in the distribution of electronic components. Based in Hongkong, we have already established firm and mutual-benefit business relationships with customers from,Europe,America and south Asia,supplying obsolete and hard-to-find components to meet their specific needs.

With the principle of "Quality Parts,Customers Priority,Honest Operation,and Considerate Service",our business mainly focus on the distribution of electronic components. Line cards we deal with include Microchip,ALPS,ROHM,Xilinx,Pulse,ON,Everlight and Freescale. Main products comprise IC,Modules,Potentiometer,IC Socket,Relay,Connector.Our parts cover such applications as commercial,industrial, and automotives areas.

We are looking forward to setting up business relationship with you and hope to provide you with the best service and solution. Let us make a better world for our industry!



## Contact us

Tel: +86-755-8981 8866 Fax: +86-755-8427 6832

Email & Skype: info@chipsmall.com Web: www.chipsmall.com

Address: A1208, Overseas Decoration Building, #122 Zhenhua RD., Futian, Shenzhen, China



DWG. NO. SD-35439-001

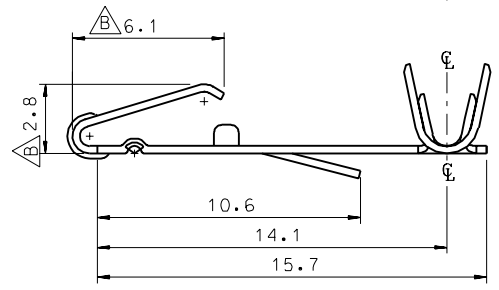
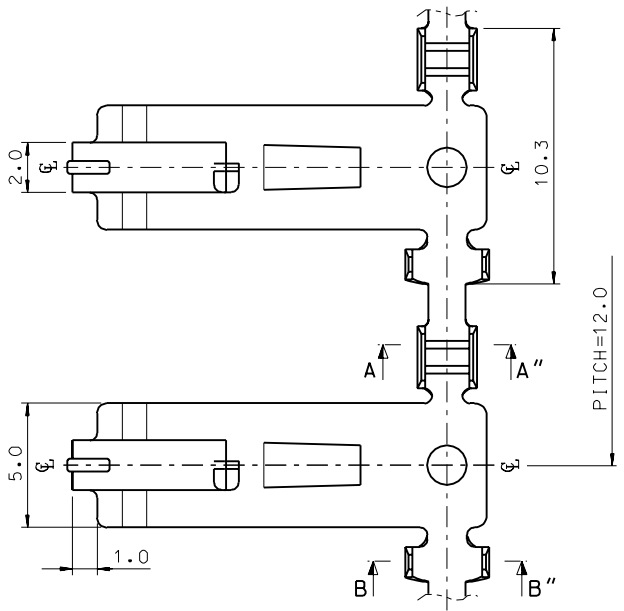
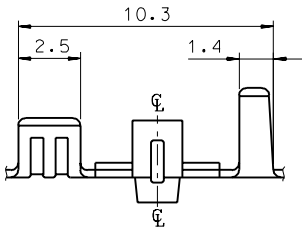
SIMILAR ITEM

PROJECT NO.

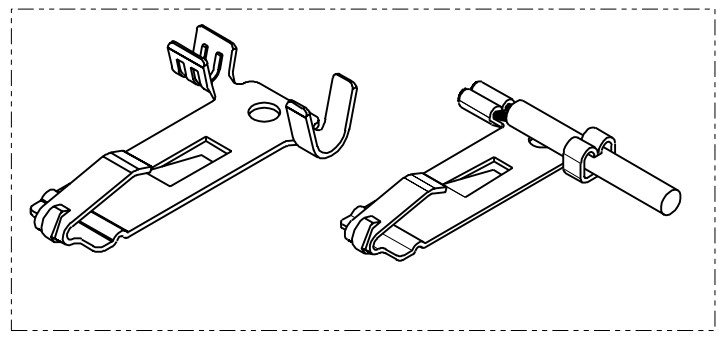
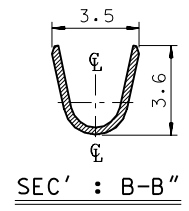
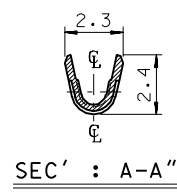
C

B

DO NOT SCALE DRAWING  
DIMENSION IN METRIC



- NOTES
1. MATERIAL : PHOSPHOR BRONZE  
THICKNESS : 0.3mm
  2. FINISH : NONE
  3. APPLICABLE WIRE : 0.5 - 0.85mm<sup>2</sup>
  4. RECOMMENDED LENGTH OF WIRE STRIP IS 3.2-3.8mm.



REVISED EC NO. KOR2003-0179 DRWN: S.M.KIM 03/02/13 CHKY: SIK.KIM 03/02/13 APPR: C.W.LEE	DESCRIPTION MAJOR -0 CRITICAL C-0	GENERAL TOLERANCES: (UNLESS SPECIFIED)		SCALE: 5:1	DESIGN UNITS <input checked="" type="checkbox"/> mm <input type="checkbox"/> INCH	DIMENSIONS: <input type="checkbox"/> mm <input type="checkbox"/> INCH <input checked="" type="checkbox"/> mm ONLY		SHT	REV
		4 PLACES	±0.	±.	DRAWN BY & DATE J.S.KANG 97/11/28		TITLE: BULB SOCKET EARTH TERMINAL		
		3 PLACES	±0.	±.	CHECKED BY & DATE B.K.CHOI 97/11/29				
		2 PLACES	±0.15	±.	APPROVED BY & DATE C.W.LEE 97/11/28		MOLEX INCORPORATED		
1 PLACE	±0.25	±.	ANGULAR: ± 2 °		CAD FILENAME sd35439.dgn	MATERIAL NO. 35439-8000	DRAWING NO. SD-35439-001	SHEET NO. 1 OF 1	SIZE B
B	REV	DRAFT WHERE APPLICABLE MUST REMAIN WITHIN DIMENSIONS				THIS DRAWING CONTAINS INFORMATION THAT IS PROPRIETARY TO MOLEX INCORPORATED AND SHOULD NOT BE USED WITHOUT WRITTEN PERMISSION.			