



Chipsmall Limited consists of a professional team with an average of over 10 year of expertise in the distribution of electronic components. Based in Hongkong, we have already established firm and mutual-benefit business relationships with customers from,Europe,America and south Asia,supplying obsolete and hard-to-find components to meet their specific needs.

With the principle of “Quality Parts,Customers Priority,Honest Operation,and Considerate Service”,our business mainly focus on the distribution of electronic components. Line cards we deal with include Microchip,ALPS,ROHM,Xilinx,Pulse,ON,Everlight and Freescale. Main products comprise IC,Modules,Potentiometer,IC Socket,Relay,Connector.Our parts cover such applications as commercial,industrial, and automotives areas.

We are looking forward to setting up business relationship with you and hope to provide you with the best service and solution. Let us make a better world for our industry!



Contact us

Tel: +86-755-8981 8866 Fax: +86-755-8427 6832

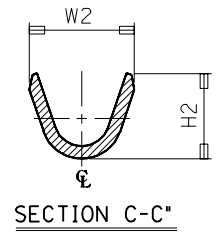
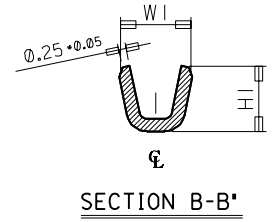
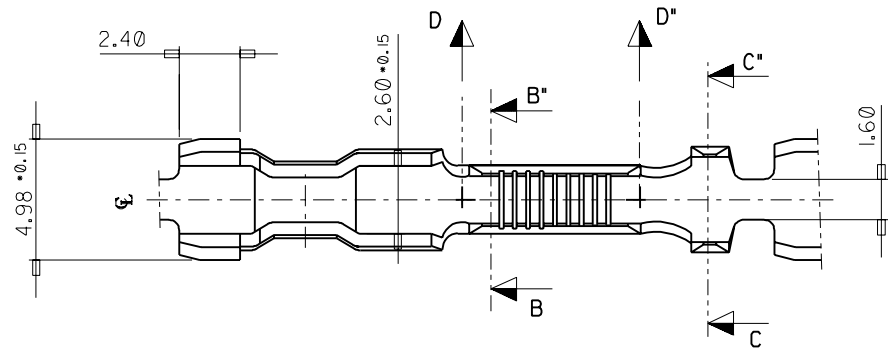
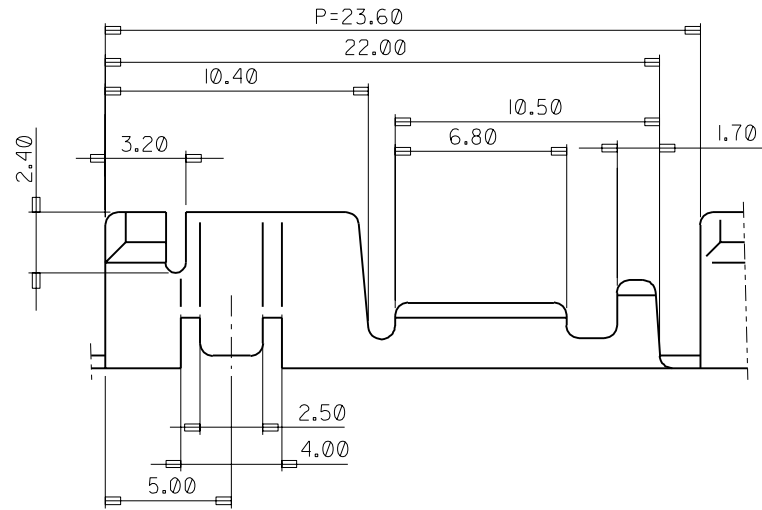
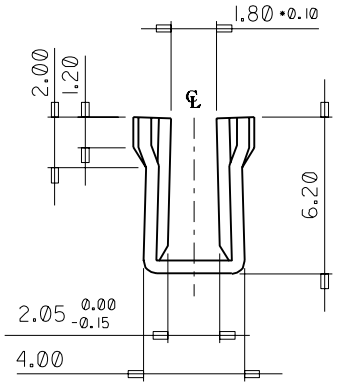
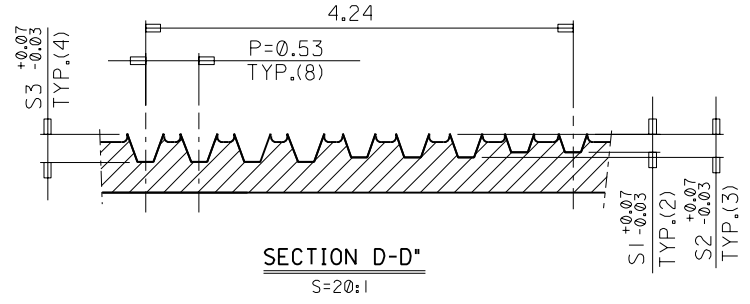
Email & Skype: info@chipsmall.com Web: www.chipsmall.com

Address: A1208, Overseas Decoration Building, #122 Zhenhua RD., Futian, Shenzhen, China



DO NOT SCALE DRAWING
DIMENSION IN METRIC

DWG. NO. SD-35454-002
PROJECT NO.
SIMILAR ITEM



- NOTES
1. MATERIAL: PHOSPHOR BRONZE
Ø.5mm THICK
 2. FINISH: POST TIN PLATING
 3. MATED PIN DIA.: 2.29mm

ENG.NO.	DIMENSION							WIRE RANGE CMA
	W1	H1	W2	H2	S1	S2	S3	
35454-2702	2.7	2.6	4.2	3.6	Ø.08	Ø.13	Ø.18	1600 400
35454-2902	3.4	4.0	5.1	4.2	Ø.10	Ø.15	Ø.20	4200 1500

NEW RELEASED EC NO. KOR2002-0061 DRAWN: W.Y.YANG 02/01/11 CHK: ABP:R	DESCRIPTION	QUALITY SYMBOLS	GENERAL TOLERANCES: (UNLESS SPECIFIED)	SCALE 5:1	DESIGN UNITS <input checked="" type="checkbox"/> mm <input type="checkbox"/> INCH	THIRD ANGLE PROJECTION	DIMENSIONS: <input type="checkbox"/> mm <input type="checkbox"/> INCH <input checked="" type="checkbox"/> mm ONLY	SHT	REV
		MAJOR = Ø	mm	INCH	DRAWN BY & DATE W.Y.YANG 99/03/18	TITLE: COMP TERMINAL-(S),(L) for 2.29 DIA PIN(MAGNET WIRE)	<input type="checkbox"/> mm <input type="checkbox"/> INCH	REVISE ON CAD ONLY	
A1	REV	CRITICAL = C	4 PLACES	±0.	±.	CHECKED BY & DATE B.K.CHOI 99/03/18	MOLEX INCORPORATED		
		2 PLACES	±0.25	±.	APPROVED BY & DATE C.W.LEE 99/03/18				
			1 PLACE	±0.25	±.	CAD FILENAME S35454AB.DGN	MATERIAL NO. SEE TABLE	DRAWING NO. SD-35454-002	SHEET NO. 1 OF 1
DRAFT WHERE APPLICABLE MUST REMAIN WITHIN DIMENSIONS						THIS DRAWING CONTAINS INFORMATION THAT IS PROPRIETARY TO MOLEX INCORPORATED AND SHOULD NOT BE USED WITHOUT WRITTEN PERMISSION.			
									SIZE B