



Chipsmall Limited consists of a professional team with an average of over 10 year of expertise in the distribution of electronic components. Based in Hongkong, we have already established firm and mutual-benefit business relationships with customers from,Europe,America and south Asia,supplying obsolete and hard-to-find components to meet their specific needs.

With the principle of “Quality Parts,Customers Priority,Honest Operation,and Considerate Service”,our business mainly focus on the distribution of electronic components. Line cards we deal with include Microchip,ALPS,ROHM,Xilinx,Pulse,ON,Everlight and Freescale. Main products comprise IC,Modules,Potentiometer,IC Socket,Relay,Connector.Our parts cover such applications as commercial,industrial, and automotives areas.

We are looking forward to setting up business relationship with you and hope to provide you with the best service and solution. Let us make a better world for our industry!



Contact us

Tel: +86-755-8981 8866 Fax: +86-755-8427 6832

Email & Skype: info@chipsmall.com Web: www.chipsmall.com

Address: A1208, Overseas Decoration Building, #122 Zhenhua RD., Futian, Shenzhen, China



DWG. IO.
SD-35454-001

SIMILAR ITEM

PROJECT NO.

C

B

DO NOT SCALE DRAWING
DIMENSION IN METRIC

8 7 6 5 4 3 2 1

F

E

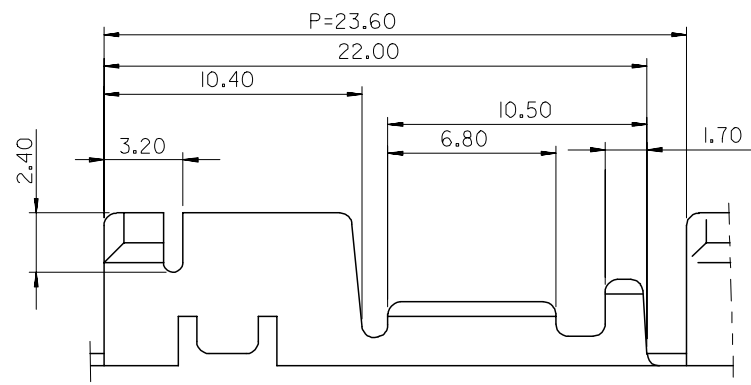
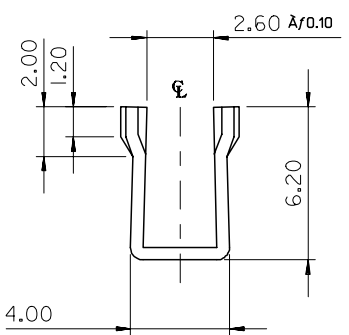
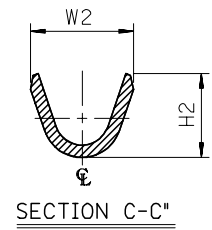
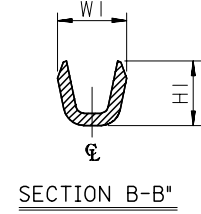
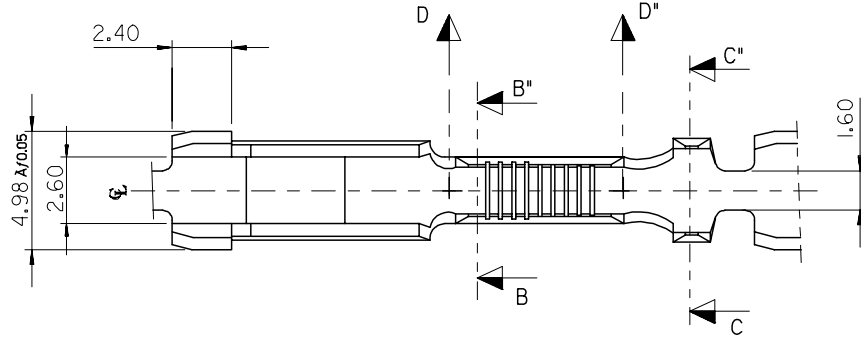
D

C

B

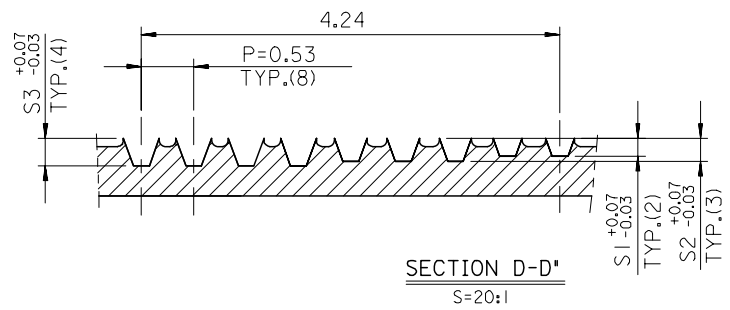
A

MX-A3



- NOTES
- MATERIAL: PHOSPHER BRONZE
0.5mm THICK
 - FINISH: POST TIN PLATING
 - MATED PIN DIA.: 3.18mm

ENG.NO.	DIMENSION							WIRE RANGE CMA
	W1	H1	W2	H2	S1	S2	S3	
35454-8702	2.7	2.6	4.2	3.6	0.08	0.13	0.18	1600 400
35454-8902	3.4	4.0	5.1	4.2	0.10	0.15	0.20	4200 1500
35454-8002	4.2	4.8	5.2	5.7	0.13	0.18	0.23	8000 4000



REDRAWN EC NO. KOR2005-0221 DRWN: J.B.JIN 05/06/18 CHK: W.Y.YANG APPR: C.W.LEE	QUALITY SYMBOLS MAJOR = 0 CRITICAL = 0	GENERAL TOLERANCES: (UNLESS SPECIFIED)		SCALE 5:1	DESIGN UNITS <input checked="" type="checkbox"/> mm <input type="checkbox"/> INCH	THIRD ANGLE PROJECTION	DIMENSIONS: <input type="checkbox"/> mm <input type="checkbox"/> INCH <input type="checkbox"/> mm <input type="checkbox"/> INCH	SHT REV
		4 PLACES ±0. ± 3 PLACES ±0. ± 2 PLACES ±0.25 ± 1 PLACE ±0.25 ± ANGULAR: ± 3.0°	DRAWN BY & DATE W.Y.YANG 00/08/14 CHECKED BY & DATE B.K.CHOI 00/08/14 APPROVED BY & DATE C.W.LEE 00/08/14	TITLE: COMP TERMINAL-(S),(L) (MAGNET WIRE)		MOLEX MOLEX INCORPORATED		MATERIAL NO. SEE TABLE DRAWING NO. SD-35454-001 SHEET NO. 1/1
A2	REV	DRAFT WHERE APPLICABLE MUST REMAIN WITHIN DIMENSIONS		THIS DRAWING CONTAINS INFORMATION THAT IS PROPRIETARY TO MOLEX INCORPORATED AND SHOULD NOT BE USED WITHOUT WRITTEN PERMISSION.				SIZE B