



Chipsmall Limited consists of a professional team with an average of over 10 year of expertise in the distribution of electronic components. Based in Hongkong, we have already established firm and mutual-benefit business relationships with customers from,Europe,America and south Asia,supplying obsolete and hard-to-find components to meet their specific needs.

With the principle of “Quality Parts,Customers Priority,Honest Operation,and Considerate Service”,our business mainly focus on the distribution of electronic components. Line cards we deal with include Microchip,ALPS,ROHM,Xilinx,Pulse,ON,Everlight and Freescale. Main products comprise IC,Modules,Potentiometer,IC Socket,Relay,Connector.Our parts cover such applications as commercial,industrial, and automotives areas.

We are looking forward to setting up business relationship with you and hope to provide you with the best service and solution. Let us make a better world for our industry!



## Contact us

Tel: +86-755-8981 8866 Fax: +86-755-8427 6832

Email & Skype: info@chipsmall.com Web: www.chipsmall.com

Address: A1208, Overseas Decoration Building, #122 Zhenhua RD., Futian, Shenzhen, China



DWG. NO. SD-35464-001

PROJECT NO.

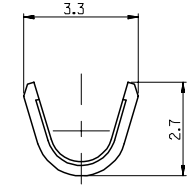
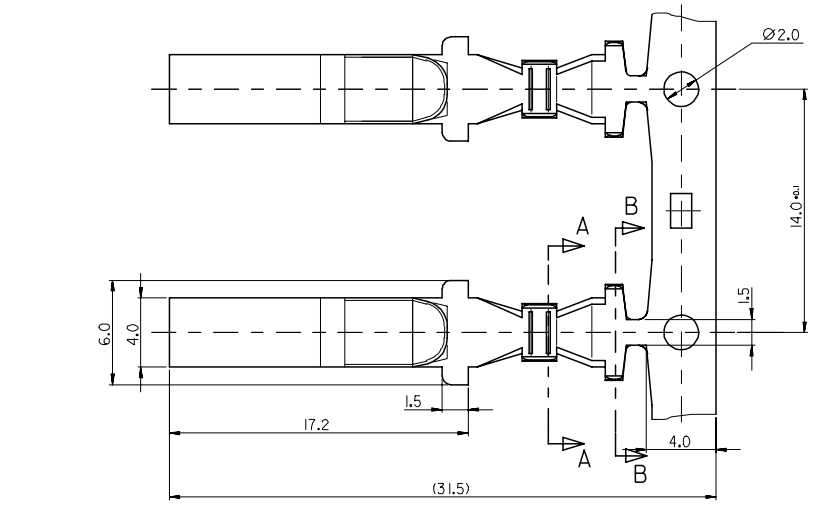
E

D

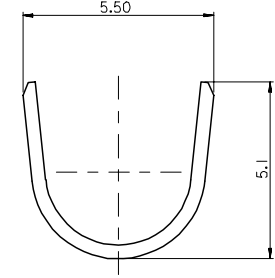
C

B

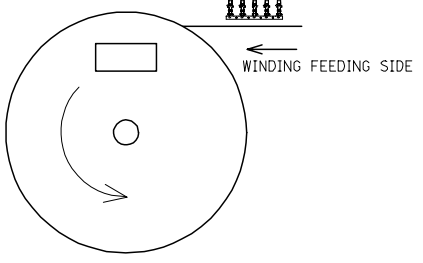
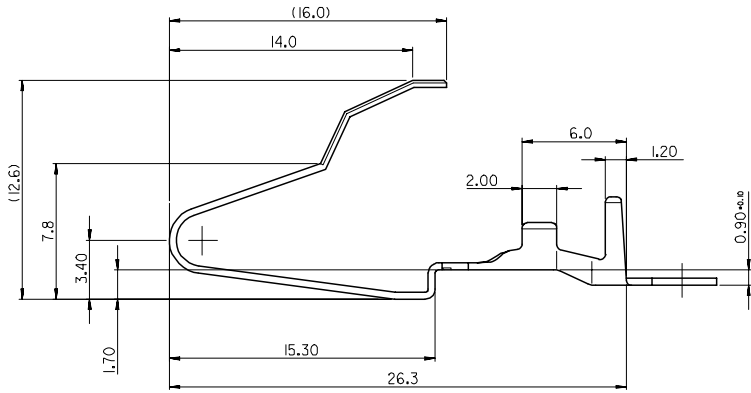
DO NOT SCALE DRAWING  
DIMENSION IN METRIC



SECT. A-A



SECT. B-B



WINDING FEEDING SIDE

NOTES

1. APPLICABLE WIRE SIZE :AVS (AVSS)0.5±0.85 SQUARE MILLIMETER
2. APPLICABLE WIRE SEAL PART NO: 35903-0096
3. APPLICABLE SOCKET PART NO: 35842-030\*/35843-02\*\*
4. MATERIAL: PHOSPHOR BRONZE,  
PLATING=UNPLATED, THICKNESS=0.40mm

CHANGED DIMENSION	EC NO.	DRWN: Y.SIK,KIM 01/09/20	CHK: Y.SIK,KIM 01/09/20	APPR: C.W.LEE 01/09/21	QUALITY SYMBOLS	GENERAL TOLERANCES: (UNLESS SPECIFIED)		SCALE	DESIGN UNITS	THIRD ANGLE PROJECTION	DIMENSIONS:	SHT	REV
						mm	INCH	5:1	mm	INCH	mm	mm	mm
					MAJOR	4 PLACES	±0.	±	Y.SIK,KIM	98/11/26	TITLE: SEALED PT BULB SOCKET POSITIVE TERMINAL		
					CRITICAL	3 PLACES	±0.	±	CHECKED BY & DATE	B.K.CHOI 98/11/30		MOLEX INCORPORATED KOREA	
						2 PLACES	±0.20	±	APPROVED BY & DATE	C.W.LEE 98/11/30			
						1 PLACE	±0.30	±	CAD FILENAME	sd35464.dgn	MATERIAL NO.	DRAWING NO.	SHEET NO.
									ANGULAR: ± 1 °		35464-8000	SD-35464-001	1 OF 1
									DRAFT WHERE APPLICABLE MUST REMAIN WITHIN DIMENSIONS	THIS DRAWING CONTAINS INFORMATION THAT IS PROPRIETARY TO MOLEX INCORPORATED AND SHOULD NOT BE USED WITHOUT WRITTEN PERMISSION.			

H

G

F

E

D

C

B

A

MX-A2