



Chipsmall Limited consists of a professional team with an average of over 10 year of expertise in the distribution of electronic components. Based in Hongkong, we have already established firm and mutual-benefit business relationships with customers from,Europe,America and south Asia,supplying obsolete and hard-to-find components to meet their specific needs.

With the principle of "Quality Parts,Customers Priority,Honest Operation,and Considerate Service",our business mainly focus on the distribution of electronic components. Line cards we deal with include Microchip,ALPS,ROHM,Xilinx,Pulse,ON,Everlight and Freescale. Main products comprise IC,Modules,Potentiometer,IC Socket,Relay,Connector.Our parts cover such applications as commercial,industrial, and automotives areas.

We are looking forward to setting up business relationship with you and hope to provide you with the best service and solution. Let us make a better world for our industry!



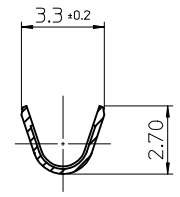
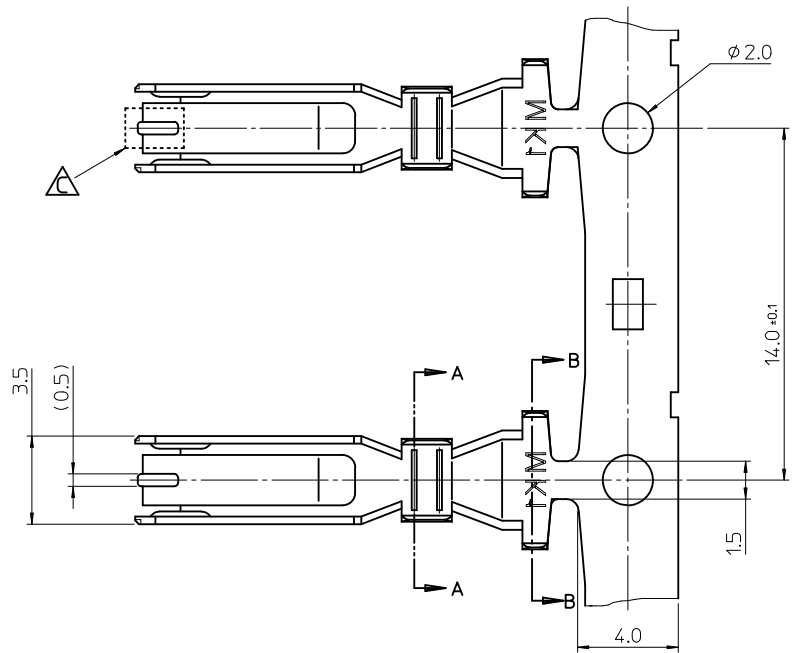
Contact us

Tel: +86-755-8981 8866 Fax: +86-755-8427 6832

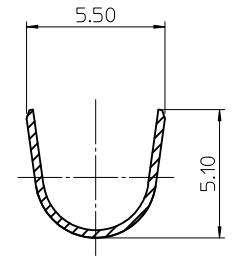
Email & Skype: info@chipsmall.com Web: www.chipsmall.com

Address: A1208, Overseas Decoration Building, #122 Zhenhua RD., Futian, Shenzhen, China

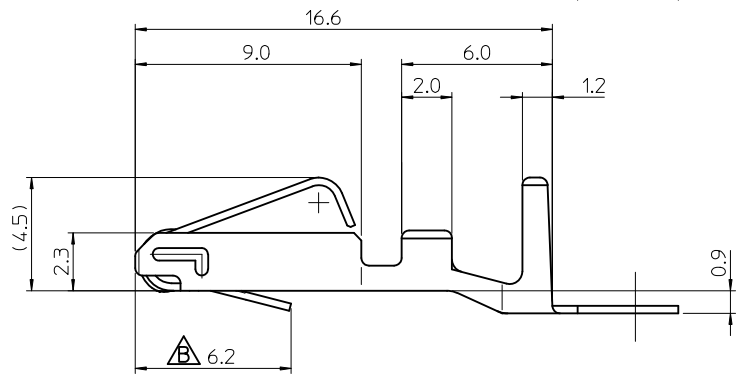




SECTION A-A



SECTION B-B



<NOTES>

- 1. APPLICABLE WIRE SIZE : AVS 0.5~0.85 SQUARE MILIMETER
- 2. APPLICABLE WIRE SEAL PART NO.:35903-0106
- 3. APPLICABLE SOCKET SERIES NO.:35842/35843
- 4. MATERIAL : PHOSPHOR BRONZE, THICKNESS=0.30mm, UNPLATED

<TABLE 1>

MATERIAL NO.	ORDER NO.
354658000	35465-8000
DESIGN UNITS	THIRD ANGLE PROJECTION
METRIC	

EARTH TERMINAL
FOR PT BULB SOCKET



MOLEX INCORPORATED

MATERIAL NO.	DOCUMENT NO.	SHEET NO.
SEE TABLE 1	SD-35465-001	1 OF 1

GENERAL TOLERANCES (UNLESS SPECIFIED)		DIMENSION STYLE		SCALE
		MM ONLY		5:1
	mm	INCH	DRAWN BY	DATE
4 PLACES	± ---	± ---	YSIKKIM	1998/11/26
3 PLACES	± ---	± ---	CHECKED BY	DATE
2 PLACES	± 0.20	± ---	BKCHOI	1998/11/26
1 PLACE	± 0.30	± ---	APPROVED BY	DATE
	ANGULAR ± 1 °		CWLEE	1998/11/26

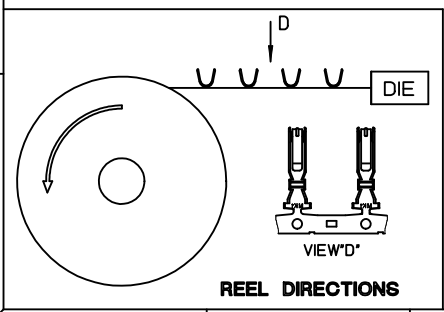
DRAFT WHERE APPLICABLE
MUST REMAIN
WITHIN DIMENSIONS

SIZE
A3

THIS DRAWING CONTAINS INFORMATION THAT IS PROPRIETARY TO MOLEX INCORPORATED AND SHOULD NOT BE USED WITHOUT WRITTEN PERMISSION

REVISED	EC NO: KOR2011-0006	2010/07/29
	DRWINEOKIM	2010/07/29
	CHKD:BCYOON	2010/07/29
	APPR:YUNSIKKIM	2010/07/29
D	DESCRIPTION	
REV	DESCRIPTION	

QUALITY SYMBOLS	▽=0
	∇=0



REEL DIRECTIONS