



Chipsmall Limited consists of a professional team with an average of over 10 year of expertise in the distribution of electronic components. Based in Hongkong, we have already established firm and mutual-benefit business relationships with customers from,Europe,America and south Asia,supplying obsolete and hard-to-find components to meet their specific needs.

With the principle of “Quality Parts,Customers Priority,Honest Operation,and Considerate Service”,our business mainly focus on the distribution of electronic components. Line cards we deal with include Microchip,ALPS,ROHM,Xilinx,Pulse,ON,Everlight and Freescale. Main products comprise IC,Modules,Potentiometer,IC Socket,Relay,Connector.Our parts cover such applications as commercial,industrial, and automotives areas.

We are looking forward to setting up business relationship with you and hope to provide you with the best service and solution. Let us make a better world for our industry!



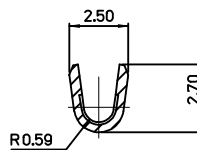
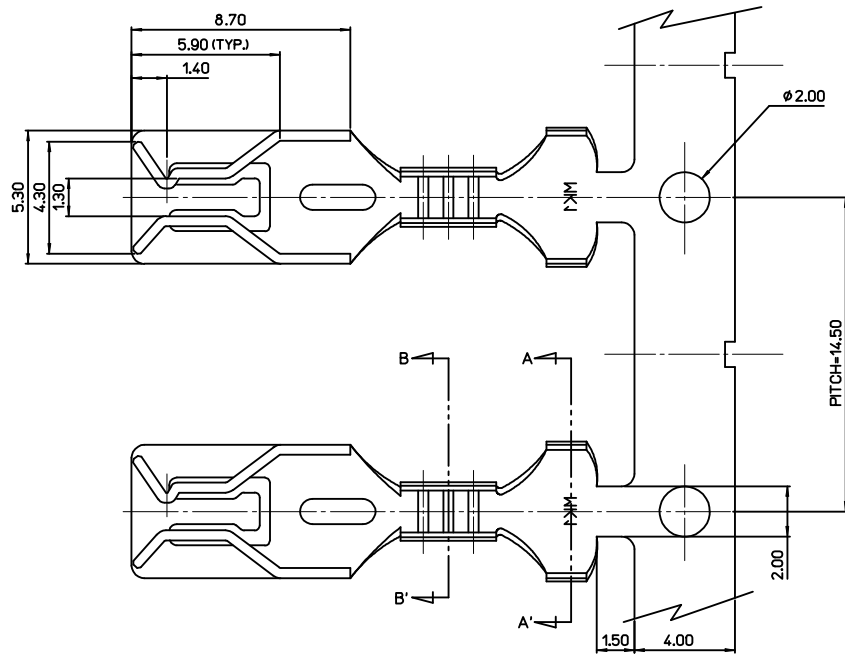
Contact us

Tel: +86-755-8981 8866 Fax: +86-755-8427 6832

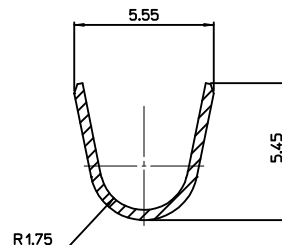
Email & Skype: info@chipsmall.com Web: www.chipsmall.com

Address: A1208, Overseas Decoration Building, #122 Zhenhua RD., Futian, Shenzhen, China

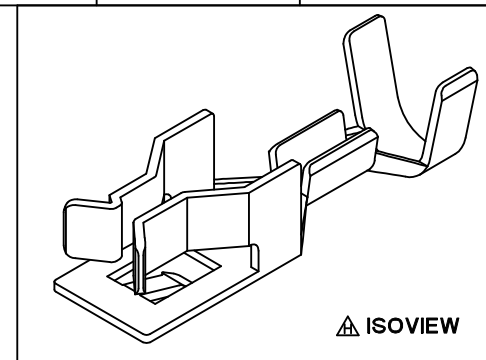




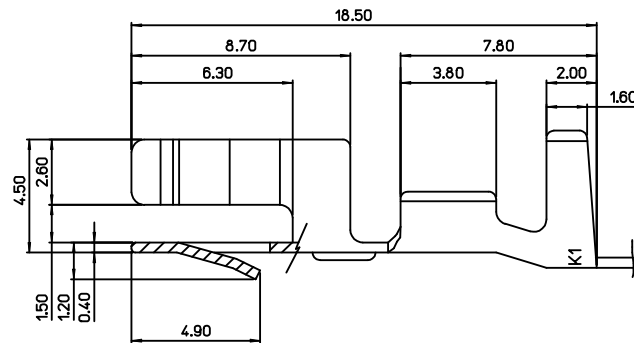
SECTION B-B'



SECTION A-A'



ISOVIEW

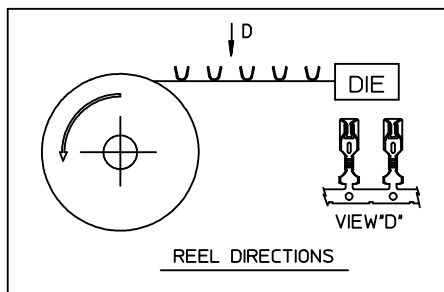


NOTES

- 1.MATERIAL : BRASS(C26000)
- 2.FINISH : PRE-TIN PLATING
- 3.APPLICABLE HOUSING SOCKET : 68147,49505
- 4.APPLICABLE WIRE SEAL : 49505-9001
- 5.WEDGE BULB INSERTION FORCE : 3.5 Kgf MAX.
WEDGE BULB RETENSION FORCE : 0.5 Kgf MIN.
- 6.APPLICABLE WEDGE BASE CAP : W2.1X9.5d(W5W,W16W)
- 7.APPLICABLE WIRE SIZE : 0.5~0.85mm²

<TABLE 1>

354779002	35477-9002
MATERIAL NO.	ORDER NO.



REVISED
 EC NO: KOR2010-0021
 DRWINEOK IM 2009/08/07
 CHKD:BCYOON 2009/08/07
 APPR:YUNS IKK IM 2009/08/07

QUALITY SYMBOLS	DESCRIPTION
	=0
	=0

GENERAL TOLERANCES (UNLESS SPECIFIED)		DIMENSION STYLE		SCALE	DESIGN UNITS	THIRD ANGLE PROJECTION
		MM ONLY		5:1	METRIC	
	mm	INCH	DRAWN BY	DATE	TITLE	
4 PLACES	± ---	± ---	SMKIM	2005/08/09	WEDGE TERMINAL	
3 PLACES	± ---	± ---	CHECKED BY	DATE		
2 PLACES	± 0.2	± ---	BCYOON	2005/08/09		
1 PLACE	± ---	± ---	APPROVED BY	DATE		
	ANGULAR ± 1 °		CWLEE	2005/08/09		
DRAFT WHERE APPLICABLE MUST REMAIN WITHIN DIMENSIONS			MATERIAL NO.	DOCUMENT NO.	SHEET NO.	
			SEE TABLE 1	SD-35477-001	1 OF 1	

DRAWN BY		DATE	TITLE
SMKIM		2005/08/09	
CHECKED BY		DATE	MATERIAL NO.
BCYOON		2005/08/09	
APPROVED BY		DATE	DOCUMENT NO.
CWLEE		2005/08/09	
MATERIAL NO.		DOCUMENT NO.	
SEE TABLE 1		SD-35477-001	

MATERIAL NO.		DOCUMENT NO.		SHEET NO.	
SEE TABLE 1		SD-35477-001		1 OF 1	
THIS DRAWING CONTAINS INFORMATION THAT IS PROPRIETARY TO MOLEX INCORPORATED AND SHOULD NOT BE USED WITHOUT WRITTEN PERMISSION					