



Chipsmall Limited consists of a professional team with an average of over 10 year of expertise in the distribution of electronic components. Based in Hongkong, we have already established firm and mutual-benefit business relationships with customers from,Europe,America and south Asia,supplying obsolete and hard-to-find components to meet their specific needs.

With the principle of “Quality Parts,Customers Priority,Honest Operation,and Considerate Service”,our business mainly focus on the distribution of electronic components. Line cards we deal with include Microchip,ALPS,ROHM,Xilinx,Pulse,ON,Everlight and Freescale. Main products comprise IC,Modules,Potentiometer,IC Socket,Relay,Connector.Our parts cover such applications as commercial,industrial, and automotives areas.

We are looking forward to setting up business relationship with you and hope to provide you with the best service and solution. Let us make a better world for our industry!



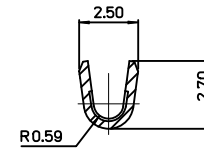
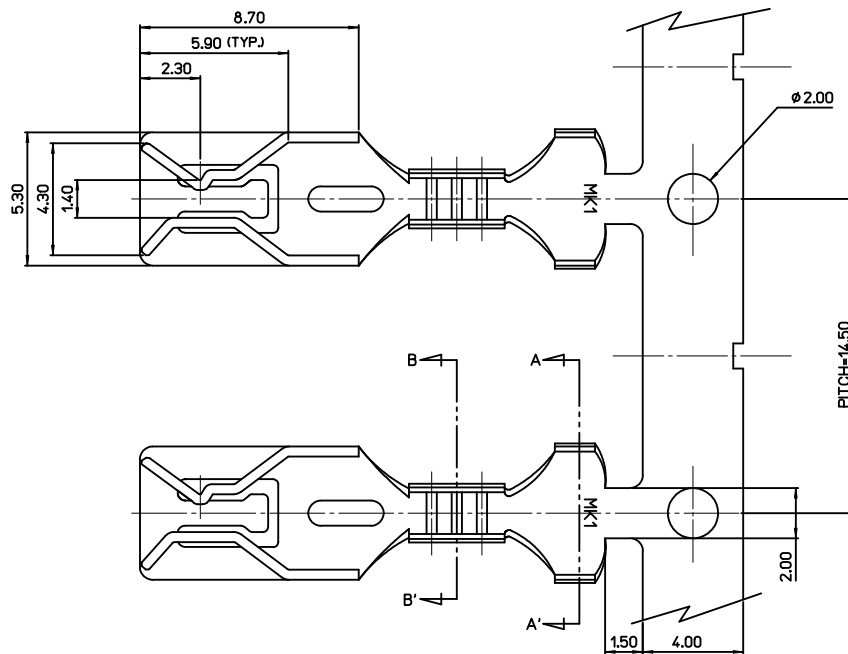
Contact us

Tel: +86-755-8981 8866 Fax: +86-755-8427 6832

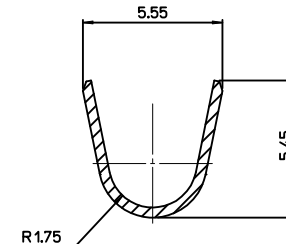
Email & Skype: info@chipsmall.com Web: www.chipsmall.com

Address: A1208, Overseas Decoration Building, #122 Zhenhua RD., Futian, Shenzhen, China

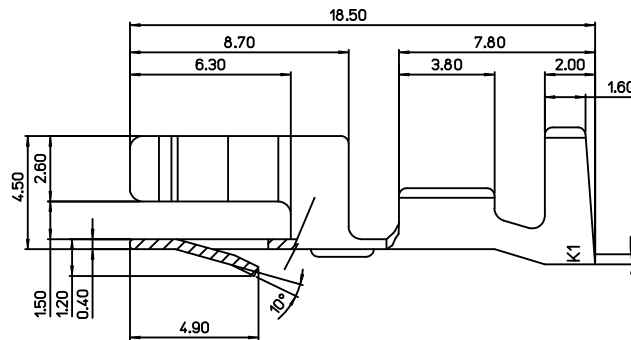




SECTION B-B'



SECTION A-A'

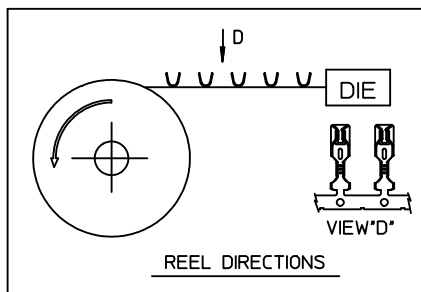


NOTES

- 1.MATERIAL : BRASS(C26000)
- 2.FINISH : PRE-TIN PLATING
- 3.APPLICABLE HOUSING SOCKET : 68147
- 4.APPLICABLE WIRE SEAL : 49505-9001
- 5.WEDGE BULB INSERTION FORCE : 7.0 Kgf MAX.
WEDGE BULB RETENSION FORCE : 0.5 Kgf MIN.
- 6.APPLICABLE WEDGE BASE CAP : W2.1X9.5d(W16W)
- 7.APPLICABLE WIRE SIZE : 0.5~0.85mm²

<TABLE 1>

354779702	35477-9702
MATERIAL NO.	ORDER NO.



NEW RELEASED
 EC NO: KOR2010-0010
 DRWINEOK IM 2009/07/29
 CHKD:BCYOON 2009/07/30
 APPR:YUNS IKKIM 2009/07/30

REV	DESCRIPTION
A	

QUALITY SYMBOLS	
	=0
	=0

GENERAL TOLERANCES (UNLESS SPECIFIED)	
mm	INCH
4 PLACES ± ---	± ---
3 PLACES ± ---	± ---
2 PLACES ± 0.2	± ---
1 PLACE ± ---	± ---
ANGULAR ± 1 °	

DIMENSION STYLE	
MM ONLY	
DRAWN BY	DATE
SMKIM	2005/08/09
CHECKED BY	DATE
BCYOON	2005/08/09
APPROVED BY	DATE
CWLEE	2005/08/09

SCALE	DESIGN UNITS	THIRD ANGLE PROJECTION	
5:1	METRIC		
WEDGE TERMINAL (SPECIAL TYPE)			
MOLEX INCORPORATED			
MATERIAL NO.		DOCUMENT NO.	SHEET NO.
SEE TABLE 1		RSD-35477-002	1 OF 1
THIS DRAWING CONTAINS INFORMATION THAT IS PROPRIETARY TO MOLEX INCORPORATED AND SHOULD NOT BE USED WITHOUT WRITTEN PERMISSION			