



Chipsmall Limited consists of a professional team with an average of over 10 year of expertise in the distribution of electronic components. Based in Hongkong, we have already established firm and mutual-benefit business relationships with customers from,Europe,America and south Asia,supplying obsolete and hard-to-find components to meet their specific needs.

With the principle of “Quality Parts,Customers Priority,Honest Operation,and Considerate Service”,our business mainly focus on the distribution of electronic components. Line cards we deal with include Microchip,ALPS,ROHM,Xilinx,Pulse,ON,Everlight and Freescale. Main products comprise IC,Modules,Potentiometer,IC Socket,Relay,Connector.Our parts cover such applications as commercial,industrial, and automotives areas.

We are looking forward to setting up business relationship with you and hope to provide you with the best service and solution. Let us make a better world for our industry!



Contact us

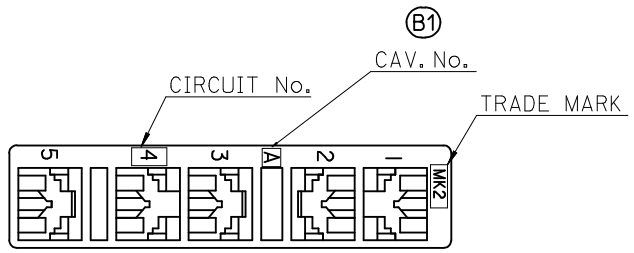
Tel: +86-755-8981 8866 Fax: +86-755-8427 6832

Email & Skype: info@chipsmall.com Web: www.chipsmall.com

Address: A1208, Overseas Decoration Building, #122 Zhenhua RD., Futian, Shenzhen, China

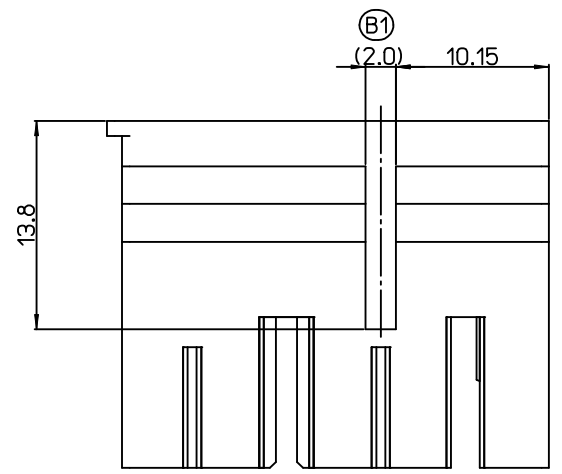
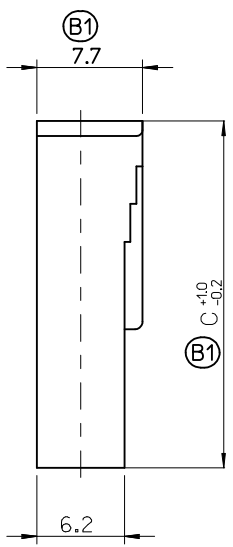
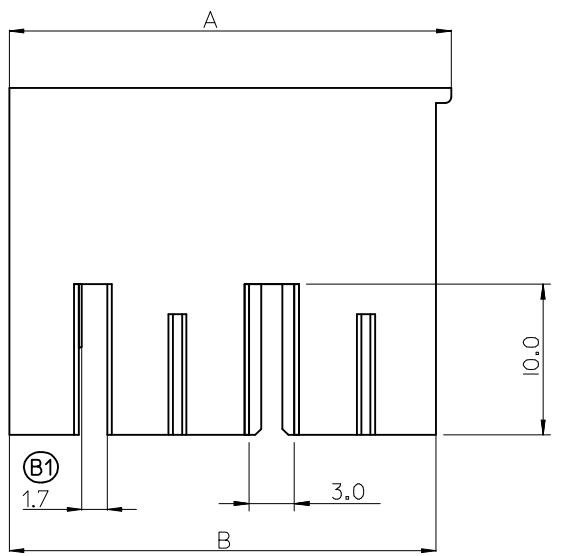
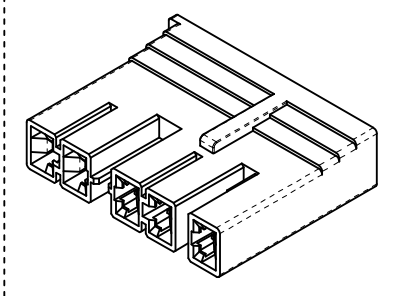


10 9 8 7 6 5 4 3 2 1



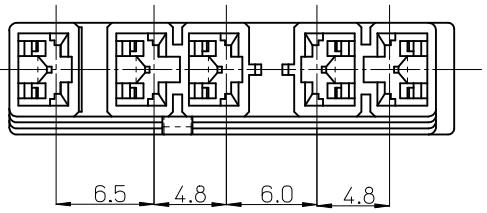
[TABLE] (B1)

MATERIAL NO.	DIMENSION			MATERIAL
	A	B	C	
355060510	29.5	28.5	23.0	POLYESTER
355060519	30.2	28.9	23.4	PET/PC



NOTES

- MATERIAL :
 - ① 35506-0510 : POLYESTER(PBT), NO GLASS FILLED, UL94V-0
COLOR : NATURAL
 - (B1) ② 35506-0519 : PET/PC, NO GLASS FILLED, UL94V-0
COLOR : NATURAL
- PRODUCT SPECIFICATION : PS-35506-001
- PACKING SPECIFICATION : PK-35506-001
- APPLICABLE TERMINAL : 35097-9*12



PRELIMINARY REVISED
 IEC NO: KOR2013-0051
 DRWN: JSSHIN 2012/12/18
 CH'KD: SHCHU 2012/12/18
 APPR: YSKIM02 2012/12/27

QUALITY SYMBOLS
 ▽=0
 ∇=0

GENERAL TOLERANCES (UNLESS SPECIFIED)

	mm	INCH
4 PLACES	± ---	± ---
3 PLACES	± ---	± ---
2 PLACES	± 0.30	± ---
1 PLACE	± 0.30	± ---
0 PLACE	± ---	± ---

ANGULAR ± 3 °
 DRAFT WHERE APPLICABLE
 MUST REMAIN WITHIN DIMENSIONS

DIMENSION STYLE
MM ONLY

DRAWN BY: WY.YANG
 CHECKED BY: BK.CH01
 APPROVED BY: YSKIM02

DATE: 1996/06/17
 DATE: 1996/06/17
 DATE: 2012/12/27

SCALE: 3:1
 DESIGN UNITS: METRIC
 THIRD ANGLE PROJECTION

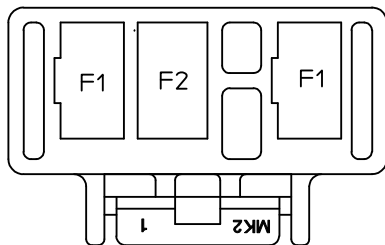
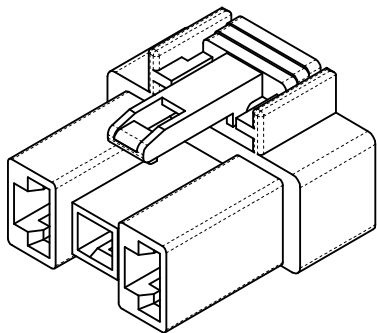
TITLE: .110 MP-LOCK HOUSING -5P (FOR DOOR SWITCH)

molex

MATERIAL NO. SEE TABLE
 DOCUMENT NO. SD-35506-001
 SHEET NO. 1 OF 1

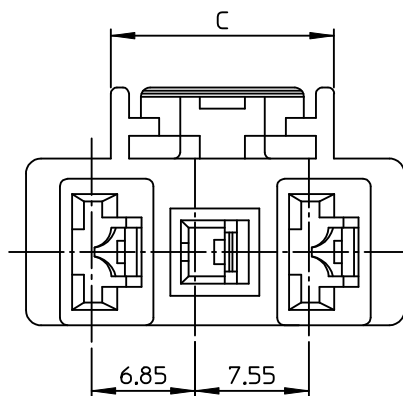
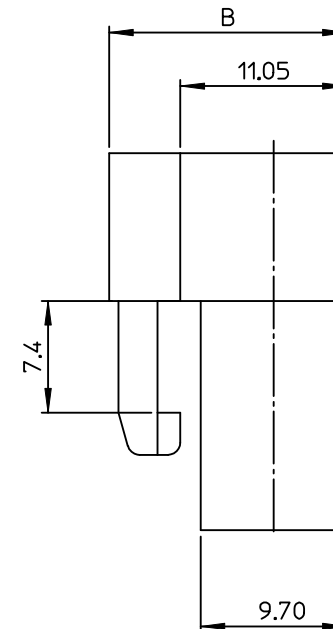
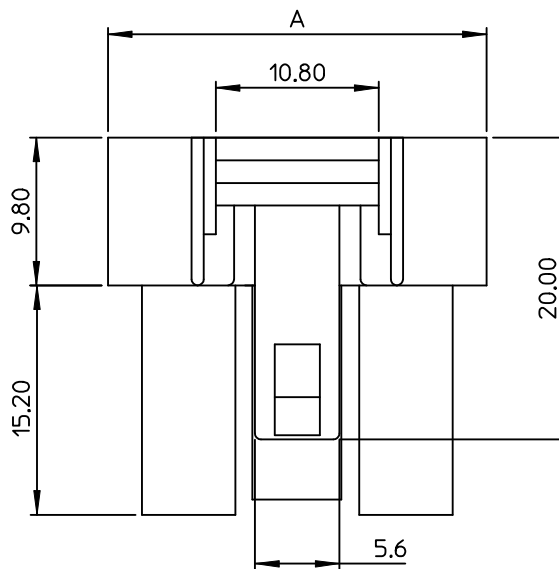
THIS DRAWING CONTAINS INFORMATION THAT IS PROPRIETARY TO MOLEX INCORPORATED AND SHOULD NOT BE USED WITHOUT WRITTEN PERMISSION

9 8 7 6 5 4 3 2 1



F1 TERMINAL : 35725-5*10
 F2 TERMINAL : 35766-0*10

TERMINAL PATTERN



[TABLE] (A1)

MATERIAL NO.	DIMENSION			MATERIAL
	A	B	C	
355470300	25.10	15.75	14.80	POLYESTER
355470309	25.40	16.00	15.10	PET/PC

NOTES

1. MATERIAL :
 ① 35547-0300 : POLYESTER(PBT), NO GLASS FILLED, UL94V-0
 COLOR : NATURAL

(A1) ② 35547-0309 : PET/PC, NO GLASS FILLED, UL94V-0
 COLOR : NATURAL

2. PRODUCT SPECIFICAION : PS-35546-001

3. PACKING SPECIFICAION : PK-35547-001

4. MATED HOUSING : 35546-070*

5. APPLICABLE TERMINAL : 35725-5*10
 35766-0*10

PRELIMINARY REVISED EC NO: KOR2013-0051 DRWN: JSSHIN 2012/12/20 CHKD: SHCHU 2012/12/20 APPR: YSK IM02 2012/12/27	QUALITY SYMBOLS	GENERAL TOLERANCES (UNLESS SPECIFIED)	DIMENSION STYLE	SCALE	DESIGN UNITS	THIRD ANGLE PROJECTION
	▽=0 ∇=0	mm INCH 4 PLACES ± --- ± --- 3 PLACES ± --- ± --- 2 PLACES ± 0.30 ± --- 1 PLACE ± 0.30 ± --- 0 PLACE ± ±	MM ONLY	4:1	METRIC	
	DESCRIPTION	ANGULAR ± 3 °	DRAWN BY	DATE	TITLE	
	REV	DRAFT WHERE APPLICABLE MUST REMAIN WITHIN DIMENSIONS	WY. YANG	1997/11/12	.250 MULTI W-T-W CONN. PLUG HOUSING -3P	
A1		SEE TABLE	CW. LEE	1997/11/12	molex	
			MATERIAL NO.	DOCUMENT NO.	SD-35547-001	SHEET NO.
			SIZE	THIS DRAWING CONTAINS INFORMATION THAT IS PROPRIETARY TO MOLEX INCORPORATED AND SHOULD NOT BE USED WITHOUT WRITTEN PERMISSION		1 OF 1