



Chipsmall Limited consists of a professional team with an average of over 10 year of expertise in the distribution of electronic components. Based in Hongkong, we have already established firm and mutual-benefit business relationships with customers from,Europe,America and south Asia,supplying obsolete and hard-to-find components to meet their specific needs.

With the principle of “Quality Parts,Customers Priority,Honest Operation,and Considerate Service”,our business mainly focus on the distribution of electronic components. Line cards we deal with include Microchip,ALPS,ROHM,Xilinx,Pulse,ON,Everlight and Freescale. Main products comprise IC,Modules,Potentiometer,IC Socket,Relay,Connector.Our parts cover such applications as commercial,industrial, and automotives areas.

We are looking forward to setting up business relationship with you and hope to provide you with the best service and solution. Let us make a better world for our industry!



Contact us

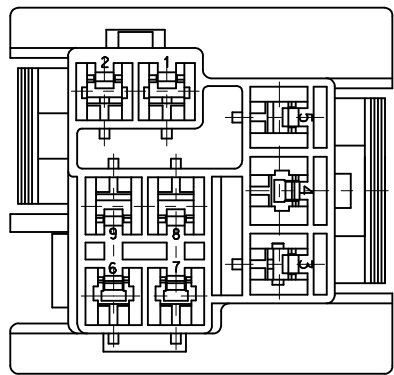
Tel: +86-755-8981 8866 Fax: +86-755-8427 6832

Email & Skype: info@chipsmall.com Web: www.chipsmall.com

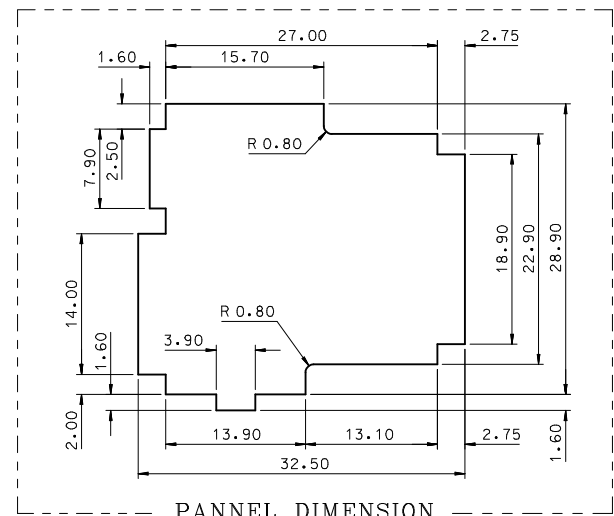
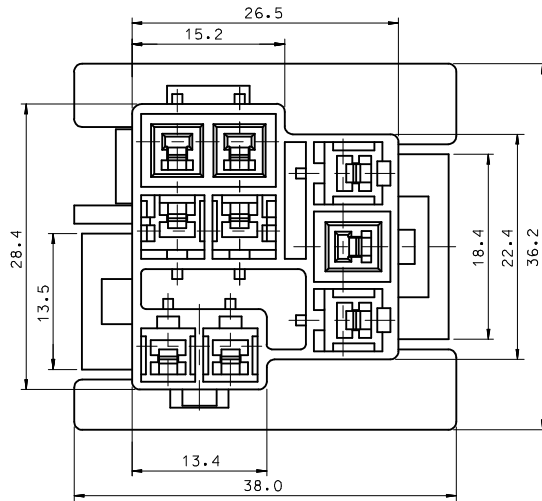
Address: A1208, Overseas Decoration Building, #122 Zhenhua RD., Futian, Shenzhen, China



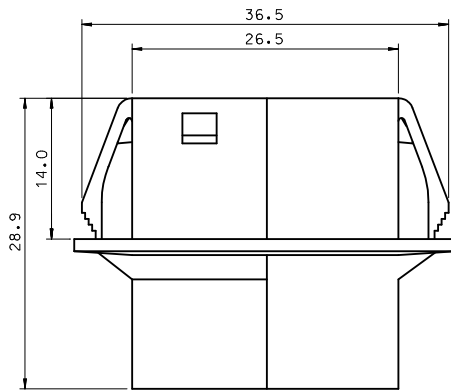
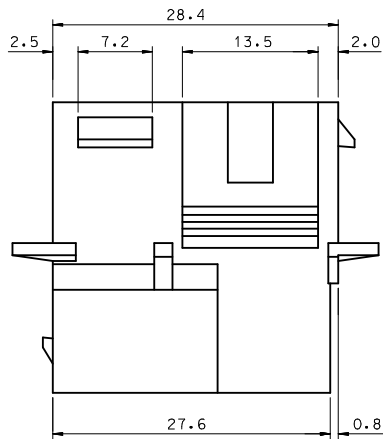
10 9 8 7 6 5 4 3 2 1



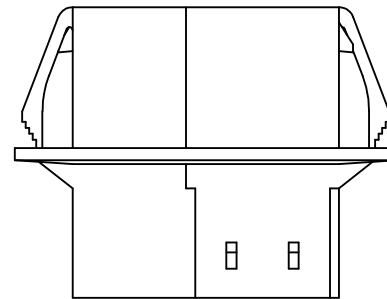
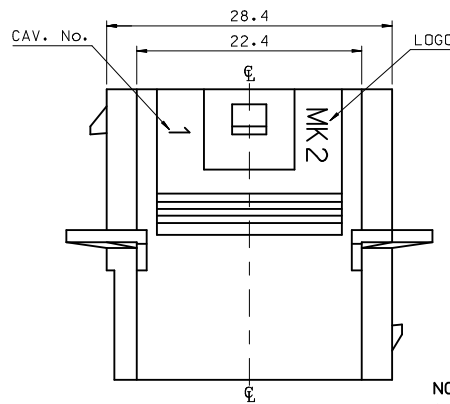
VIEW "A"



PANEL DIMENSION



↑
"A"



NOTES.

- MATERIAL : SEE TABLE.
- MATED HOUSING : 35525-020*/35151-021*/*219
35151-031*/*319, 35151-041*/*419
- APPLICABLE TERMINAL : 35745-0*10 (1.2.3 CIRCUIT)
35746-0*10 (4.6.7 CIRCUIT)
35747-0*10 (5.8.9 CIRCUIT)
- MATED T.P.A : 35150-029*/35150-039*

NO	PRODUCT		MATERIAL		DESCRIPTION
	ENG NO.	MATERIAL NO.	EDP NO.	COLOR	
1	35524-0920	355240920	89992-0090	NATURAL	PBT (UL94V-0)
2	35524-0924	355240924	89992-0865	BLUE	
3	35524-0929	355240929	89992-1234	NATURAL	PBT/PC (UL94V-0)
4	35524-4929	355244929	89992-1329	BLUE	

REVISED
EC NO: KOR2013-0064
2013/01/11
DRWN: JSSHIN
2013/01/11
CHKD: SHCHU
2013/01/14
APPR: YSKIM02

QUALITY SYMBOLS
▽=0
▽=0

GENERAL TOLERANCES (UNLESS SPECIFIED)

	mm	INCH
4 PLACES	± ---	± ---
3 PLACES	± ---	± ---
2 PLACES	± ---	± ---
1 PLACE	± 0.30	± ---
ANGULAR ± 1 °		

DRAFT WHERE APPLICABLE
MUST REMAIN
WITHIN DIMENSIONS

DIMENSION STYLE
MM ONLY

DRAWN BY	DATE
SK.HAN	2007/12/13
CHECKED BY	DATE
WY.YANG	2007/12/13
APPROVED BY	DATE
EH.JUNG	2007/12/13

MATERIAL NO.
SEE TABLE

SCALE	DESIGN UNITS	THIRD ANGLE PROJECTION
2:1	METRIC	☉

TITLE
.070 MULTI CONN
MALE HOUSING -9P

MOLEX MOLEX INCORPORATED

DOCUMENT NO. SD-35524-001 SHEET NO. 1 OF 1

THIS DRAWING CONTAINS INFORMATION THAT IS PROPRIETARY TO MOLEX INCORPORATED AND SHOULD NOT BE USED WITHOUT WRITTEN PERMISSION

9 8 7 6 5 4 3 2 1