



Chipsmall Limited consists of a professional team with an average of over 10 year of expertise in the distribution of electronic components. Based in Hongkong, we have already established firm and mutual-benefit business relationships with customers from,Europe,America and south Asia,supplying obsolete and hard-to-find components to meet their specific needs.

With the principle of “Quality Parts,Customers Priority,Honest Operation,and Considerate Service”,our business mainly focus on the distribution of electronic components. Line cards we deal with include Microchip,ALPS,ROHM,Xilinx,Pulse,ON,Everlight and Freescale. Main products comprise IC,Modules,Potentiometer,IC Socket,Relay,Connector.Our parts cover such applications as commercial,industrial, and automotives areas.

We are looking forward to setting up business relationship with you and hope to provide you with the best service and solution. Let us make a better world for our industry!



## Contact us

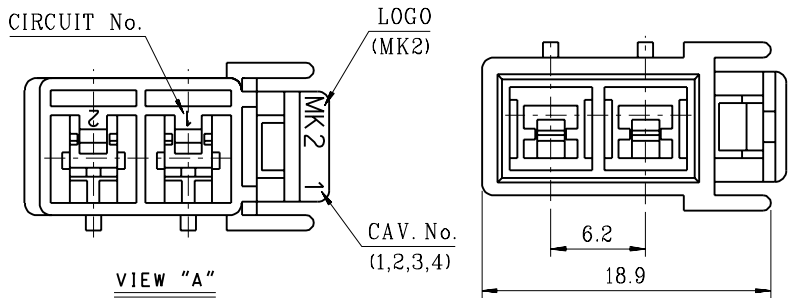
Tel: +86-755-8981 8866 Fax: +86-755-8427 6832

Email & Skype: info@chipsmall.com Web: www.chipsmall.com

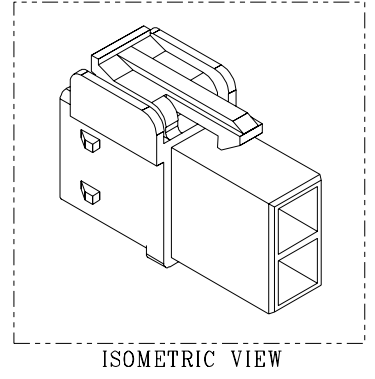
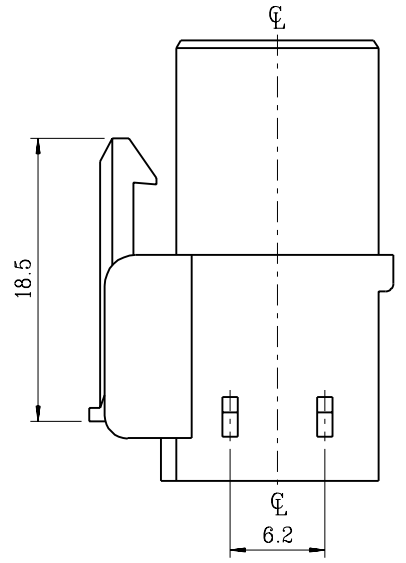
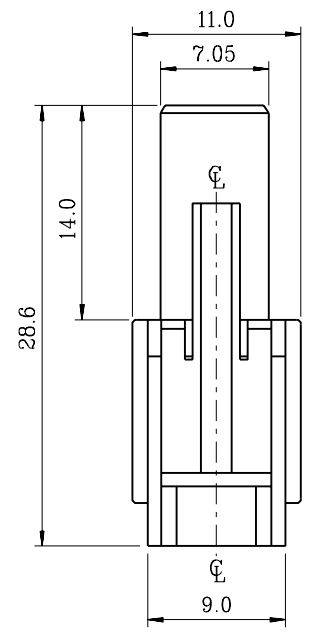
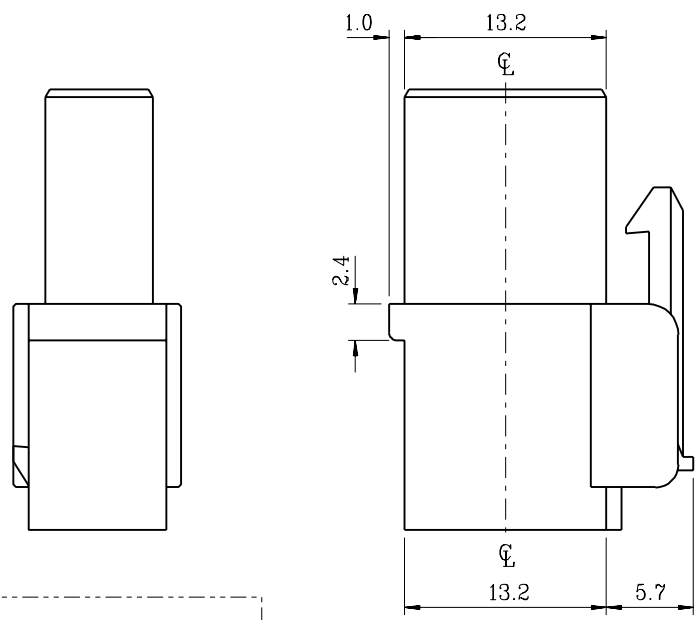
Address: A1208, Overseas Decoration Building, #122 Zhenhua RD., Futian, Shenzhen, China



DWG. NO. SD 35525-001  
 PROJECT NO. SIMILAR ITEM  
 DO NOT SCALE DRAWING DIMENSION IN METRIC



- NOTES**
1. MATERIAL : POLYESTER(P.B.T), UL94V-0
  2. COLOR : 35525-0200 (NATURAL)  
35525-0204 (BLUE)
  3. MATED HOUSING : 35524-092\*
  4. APPLICABLE TERMINAL : 35745-0\*10
  5. MATED T.P.A : 35150-029\*



↑  
"A"

REVISED	ECN NO. KOR2002-0130 DRWN: C.B.CHIN 02/05/18 CHK: M.Y.YANG APPR: C.W.LEE	DESCRIPTION	QUALITY SYMBOLS	GENERAL TOLERANCES: (UNLESS SPECIFIED)		SCALE 3:1	DESIGN UNITS <input checked="" type="checkbox"/> mm <input type="checkbox"/> INCH	THIRD ANGLE PROJECTION	DIMENSIONS: <input type="checkbox"/> mm <input type="checkbox"/> INCH <input checked="" type="checkbox"/> mm ONLY	SHT	REV
			MAJOR ▽ : 0	mm	INCH	DRAWN BY & DATE J.S.KANG 97.06.20	TITLE: .070 MULTI CONN' FEMALE HOUSING-2P	REVISE ON CAD ONLY			
A2	REV	DESCRIPTION	CRITICAL ∇ : 0	ANGULAR: ± °		CHECKED BY & DATE B.K.CHOI 97.06.20		MOLEX INCORPORATED			
			DRAFT WHERE APPLICABLE MUST REMAIN WITHIN DIMENSIONS		APPROVED BY & DATE C.W.LEE 97.06.20		CAD FILENAME S35525.DGN	MATERIAL NO. SEE NOTES	DRAWING NO. SD-35525-001	SHEET NO. 1 OF 1	