



Chipsmall Limited consists of a professional team with an average of over 10 year of expertise in the distribution of electronic components. Based in Hongkong, we have already established firm and mutual-benefit business relationships with customers from,Europe,America and south Asia,supplying obsolete and hard-to-find components to meet their specific needs.

With the principle of “Quality Parts,Customers Priority,Honest Operation,and Considerate Service”,our business mainly focus on the distribution of electronic components. Line cards we deal with include Microchip,ALPS,ROHM,Xilinx,Pulse,ON,Everlight and Freescale. Main products comprise IC,Modules,Potentiometer,IC Socket,Relay,Connector.Our parts cover such applications as commercial,industrial, and automotives areas.

We are looking forward to setting up business relationship with you and hope to provide you with the best service and solution. Let us make a better world for our industry!



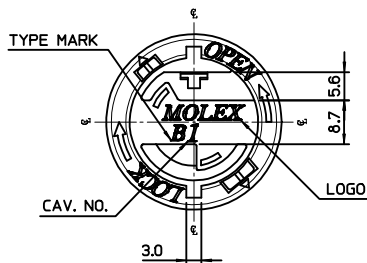
## Contact us

Tel: +86-755-8981 8866 Fax: +86-755-8427 6832

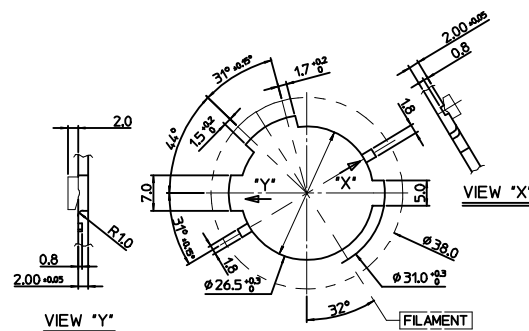
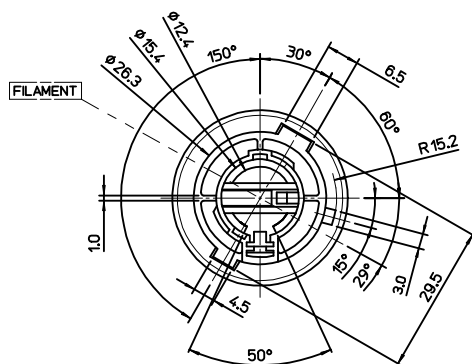
Email & Skype: info@chipsmall.com Web: www.chipsmall.com

Address: A1208, Overseas Decoration Building, #122 Zhenhua RD., Futian, Shenzhen, China

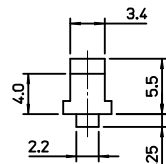
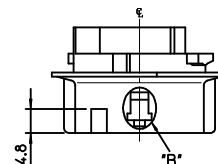
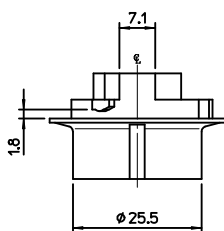
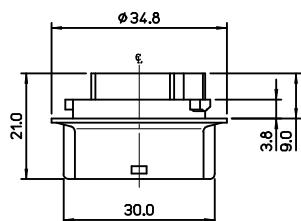




VIEW "A"



MOUNTING INTERFACE  
(MI-11)



DETAIL "B"  
SCALE 2:1

NOTES

1. FOCAL LENGTH = 31.8mm
2. APPLICABLE BULB CAP: PY21W(BAU15s)
3. MATES WITH

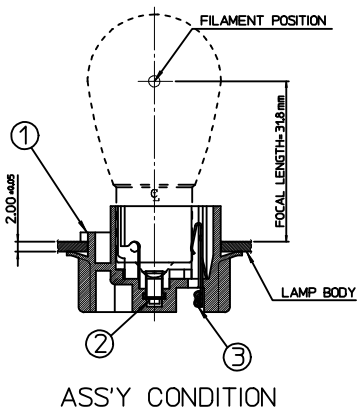
NO.	DESCRIPTION	MATERIAL	ORDER NO.	REMARK
②	POSITIVE TERMINAL	PHOSPHOR BRONZE	35438-8000	UNPLATED
③	EARTH TERMINAL	PHOSPHOR BRONZE	35439-8000	UNPLATED

<PART LIST>

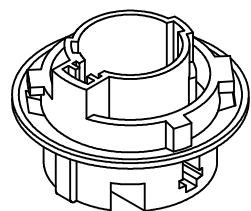
NO.	DESCRIPTION	MATERIAL	USAGE	REMARK
①	SINGLE SOCKET	PA66	1	B TYPE

<TABLE 1>

MATERIAL NO.	ORDER NO.	COLOR
355330211	35533-0211	BLACK
355330215	35533-0215	GRAY
355330216	35533-0216	WHITE



ASS'Y CONDITION



ISOVIEW

REVISED  
EC NO: KTR2015-0097  
DRWN: YIBAOK 2015/04/24  
CHKD:  
APPR: JYCH01 2015/05/04

QUALITY SYMBOLS  
▽=0  
∇=0

GENERAL TOLERANCES (UNLESS SPECIFIED)

	mm	INCH
4 PLACES	± ---	± ---
3 PLACES	± ---	± ---
2 PLACES	± 0.2	± ---
1 PLACE	± 0.3	± ---

ANGULAR ± 3 °

DRAFT WHERE APPLICABLE MUST REMAIN WITHIN DIMENSIONS

DIMENSION STYLE  
MM ONLY

DRAWN BY: JSKANG  
DATE: 1998/01/31

CHECKED BY: BKCH01  
DATE: 1998/01/31

APPROVED BY: CWLEE  
DATE: 1998/01/31

MATERIAL NO. SEE TABLE 1

SIZE A3

SCALE 1:1

DESIGN UNITS METRIC

THIRD ANGLE PROJECTION

TITLE  
NON-SEALED BULB SOCKET  
SINGLE HOUSING ASS'Y  
(B-TYPE)

MOLEX MOLEX INCORPORATED

DOCUMENT NO. SD-35533-002

SHEET NO. 1 OF 1

THIS DRAWING CONTAINS INFORMATION THAT IS PROPRIETARY TO MOLEX INCORPORATED AND SHOULD NOT BE USED WITHOUT WRITTEN PERMISSION