



Chipsmall Limited consists of a professional team with an average of over 10 year of expertise in the distribution of electronic components. Based in Hongkong, we have already established firm and mutual-benefit business relationships with customers from,Europe,America and south Asia,supplying obsolete and hard-to-find components to meet their specific needs.

With the principle of “Quality Parts,Customers Priority,Honest Operation,and Considerate Service”,our business mainly focus on the distribution of electronic components. Line cards we deal with include Microchip,ALPS,ROHM,Xilinx,Pulse,ON,Everlight and Freescale. Main products comprise IC,Modules,Potentiometer,IC Socket,Relay,Connector.Our parts cover such applications as commercial,industrial, and automotives areas.

We are looking forward to setting up business relationship with you and hope to provide you with the best service and solution. Let us make a better world for our industry!



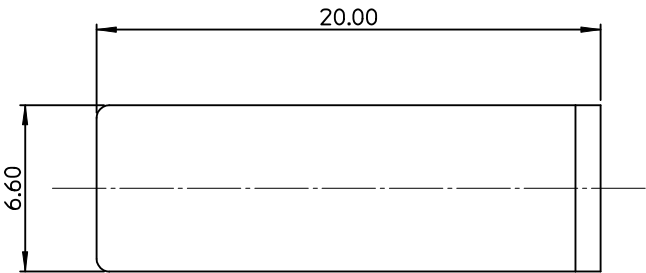
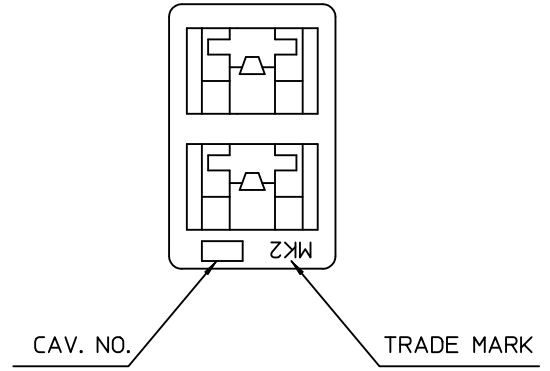
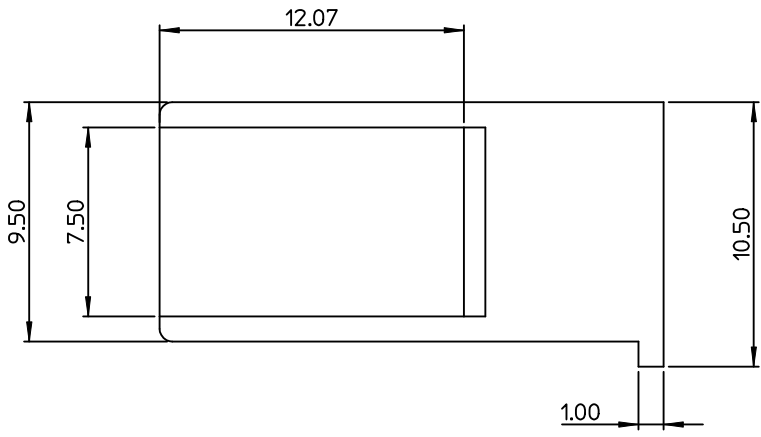
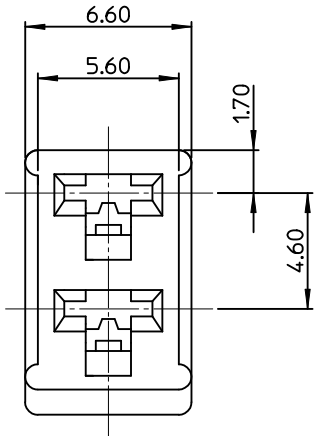
Contact us

Tel: +86-755-8981 8866 Fax: +86-755-8427 6832

Email & Skype: info@chipsmall.com Web: www.chipsmall.com

Address: A1208, Overseas Decoration Building, #122 Zhenhua RD., Futian, Shenzhen, China





NOTES
1. MATERIALS

ENG. NO.	MATERIAL	MATERIAL
35544-0200	POLYESTER(PBT) UL94 V-0	NATURAL (WHITE)
35544-9200	PC/PET, UL94 V-0	

2. APPLICABLE TERMINAL : .110 SLIP-ON REC.
35711-07*0/08*0

DRAWING ERROR EC NO: KOR2010-0080 DRWN: 2009/12/21 CHKD: WY. YANG 2009/12/21 APPR: YUNSIKKIM 2009/12/21	QUALITY SYMBOLS	GENERAL TOLERANCES (UNLESS SPECIFIED)	DIMENSION STYLE	SCALE	DESIGN UNITS	THIRD ANGLE PROJECTION
	▼ = 0 ◻ = 0	mm INCH 4 PLACES ± --- ± --- 3 PLACES ± --- ± --- 2 PLACES ± 0.3 ± --- 1 PLACE ± 0.3 ± --- ANGULAR ± 3 °	MM ONLY	5:1	METRIC	
	DESCRIPTION	DRAFT WHERE APPLICABLE MUST REMAIN WITHIN DIMENSIONS	DRAWN BY	DATE	TITLE	
	REV		WY. YANG	97/10/30	.110 HSG-2P (FOR DOOR SWITCH)	
		CHECKED BY	DATE	MOLEX INCORPORATED		
		BK. CHOI	97/10/30	DOCUMENT NO.		SHEET NO.
		APPROVED BY	DATE	SD-35544-002		1 OF 1
		CW. LEE	97/10/30	THIS DRAWING CONTAINS INFORMATION THAT IS PROPRIETARY TO MOLEX INCORPORATED AND SHOULD NOT BE USED WITHOUT WRITTEN PERMISSION		
		MATERIAL NO.	SIZE			
		SEE TABLE	A3			