



Chipsmall Limited consists of a professional team with an average of over 10 year of expertise in the distribution of electronic components. Based in Hongkong, we have already established firm and mutual-benefit business relationships with customers from,Europe,America and south Asia,supplying obsolete and hard-to-find components to meet their specific needs.

With the principle of "Quality Parts,Customers Priority,Honest Operation,and Considerate Service",our business mainly focus on the distribution of electronic components. Line cards we deal with include Microchip,ALPS,ROHM,Xilinx,Pulse,ON,Everlight and Freescale. Main products comprise IC,Modules,Potentiometer,IC Socket,Relay,Connector.Our parts cover such applications as commercial,industrial, and automotives areas.

We are looking forward to setting up business relationship with you and hope to provide you with the best service and solution. Let us make a better world for our industry!



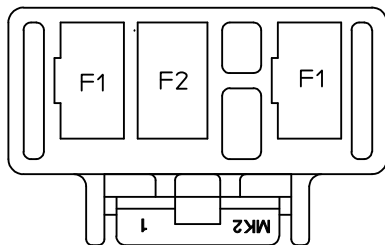
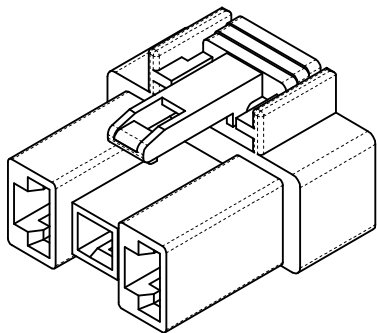
Contact us

Tel: +86-755-8981 8866 Fax: +86-755-8427 6832

Email & Skype: info@chipsmall.com Web: www.chipsmall.com

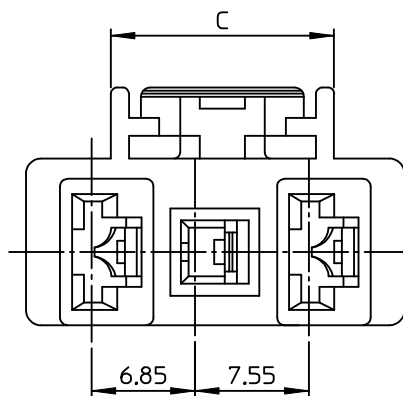
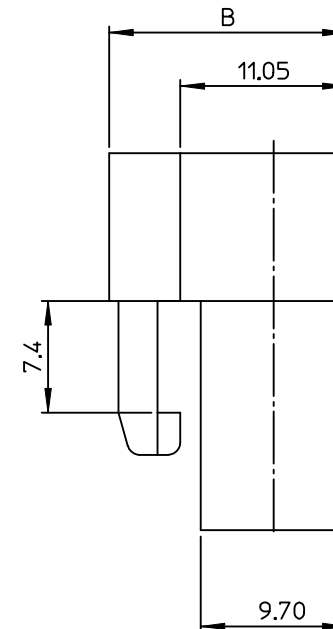
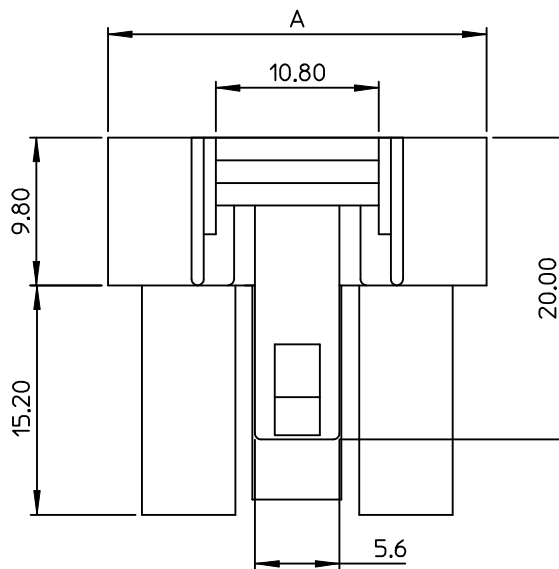
Address: A1208, Overseas Decoration Building, #122 Zhenhua RD., Futian, Shenzhen, China





F1 TERMINAL : 35725-5*10
 F2 TERMINAL : 35766-0*10

TERMINAL PATTERN



[TABLE] (A1)

MATERIAL NO.	DIMENSION			MATERIAL
	A	B	C	
355470300	25.10	15.75	14.80	POLYESTER
355470309	25.40	16.00	15.10	PET/PC

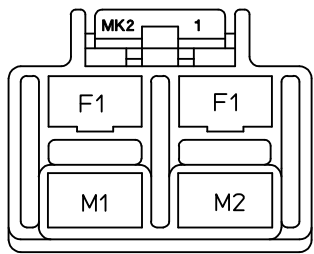
NOTES

1. MATERIAL :
 ① 35547-0300 : POLYESTER(PBT), NO GLASS FILLED, UL94V-0
 COLOR : NATURAL

- (A1) ② 35547-0309 : PET/PC, NO GLASS FILLED, UL94V-0
 COLOR : NATURAL

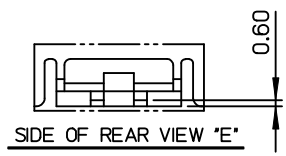
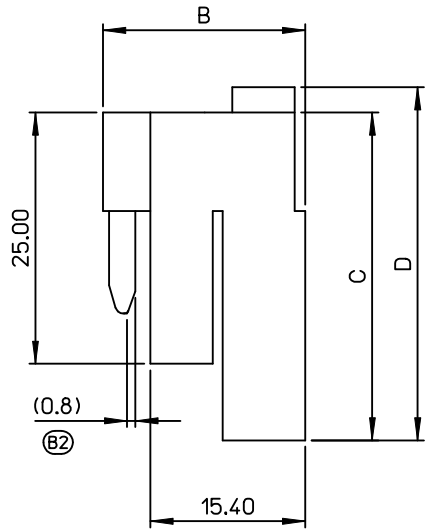
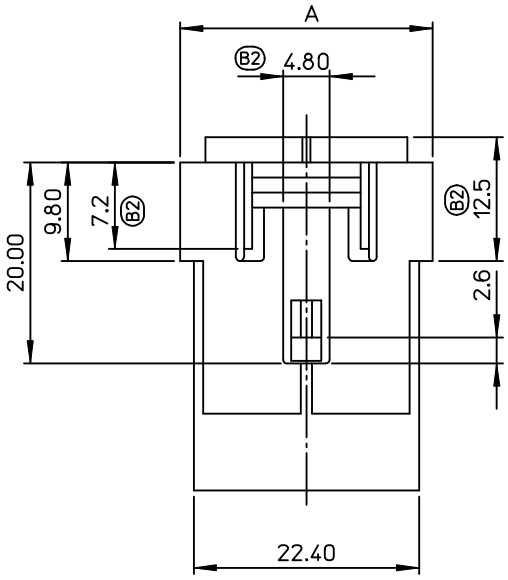
2. PRODUCT SPECIFICAION : PS-35546-001
 3. PACKING SPECIFICAION : PK-35547-001
 4. MATED HOUSING : 35546-070*
 5. APPLICABLE TERMINAL : 35725-5*10
 35766-0*10

PRELIMINARY REVISED EC NO: KOR2013-0051 DRWN: JSSHIN 2012/12/20 CHKD: SHCHU 2012/12/20 APPR: YSK/INO2 2012/12/27	QUALITY SYMBOLS ▽=0 ∇=0	GENERAL TOLERANCES (UNLESS SPECIFIED)		DIMENSION STYLE MM ONLY		SCALE 4:1	DESIGN UNITS METRIC	THIRD ANGLE PROJECTION			
		4 PLACES ± --- ± ---	mm INCH	DRAWN BY WY.YANG	DATE 1997/11/12	TITLE .250 MULTI W-T-W CONN. PLUG HOUSING -3P					
		3 PLACES ± --- ± ---		CHECKED BY BK.CHOI	DATE 1997/11/12	molex					
		2 PLACES ± 0.30 ± ---		APPROVED BY CW.LEE	DATE 1997/11/12						
1 PLACE ± 0.30 ± ---		MATERIAL NO. SEE TABLE		DOCUMENT NO. SD-35547-001		SHEET NO. 1 OF 1					
0 PLACE ± ±		ANGULAR ± 3 °		THIS DRAWING CONTAINS INFORMATION THAT IS PROPRIETARY TO MOLEX INCORPORATED AND SHOULD NOT BE USED WITHOUT WRITTEN PERMISSION							
DRAFT WHERE APPLICABLE MUST REMAIN WITHIN DIMENSIONS											



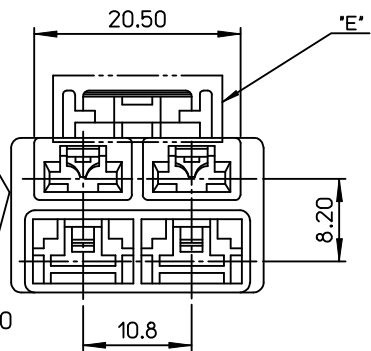
F1 TERMINAL : 35725-5*10
 M1 TERMINAL : 35453-9*02
 M2 TERMINAL : 35452-9*02
 F = FEMALE TERMINAL
 M = MALE TERMINAL

TERMINAL PATTERN



SIDE OF REAR VIEW 'E'

PRE-RELEASE
 REFERENCE
 USE ONLY



NOTES

1. MATERIAL :

- ① 35547-0400 : POLYESTER(PBT), NO GLASS FILLED, UL94V-0
 COLOR : NATURAL
- ② 35547-0409 : PET/PC, NO GLASS FILLED, UL94V-0
 COLOR : NATURAL

- 2. PRODUCT SPECIFICATION : PS-35546-001
- 3. PACKING SPECIFICATION : PK-35547-001
- 4. MATED HOUSING : 35546-070*
- 5. APPLICABLE TERMINAL : 35725-5*10
 35452-9*02
 35453-9*02

[TABLE] B2

MATERIAL NO.	DIMENSION				MATERIAL
	A	B	C	D	
355470400	25.10	20.10	32.60	35.10	POLYESTER
355470409	25.40	20.50	32.90	35.40	PET/PC

RELEASED EC NO: KOR2013-0051 DRWN: JSSHIN CHKD: SHCHU APPR: YSKIM02 2012/12/20 2012/12/20 2012/12/21	DESCRIPTION REV	QUALITY SYMBOLS	GENERAL TOLERANCES (UNLESS SPECIFIED)	DIMENSION STYLE	SCALE	DESIGN UNITS	THIRD ANGLE PROJECTION	
		▼=0 ▽=0	mm INCH 4 PLACES ± --- ± --- 3 PLACES ± --- ± --- 2 PLACES ± 0.30 ± --- 1 PLACE ± 0.30 ± --- 0 PLACE ± ±	MM ONLY	2:1	METRIC	DRAWN BY: WY. YANG DATE: 1997/11/12 CHECKED BY: BK. CHOI DATE: 1997/11/12 APPROVED BY: CW. LEE DATE: 1997/11/12	TITLE .250 MULTI W-T-W CONN. PLUG HOUSING -4P molex SD-35547-002 SHEET NO. 1 OF 1
			ANGULAR ± 3°					
			DRAFT WHERE APPLICABLE MUST REMAIN WITHIN DIMENSIONS					
				SEE TABLE				