



Chipsmall Limited consists of a professional team with an average of over 10 year of expertise in the distribution of electronic components. Based in Hongkong, we have already established firm and mutual-benefit business relationships with customers from,Europe,America and south Asia,supplying obsolete and hard-to-find components to meet their specific needs.

With the principle of “Quality Parts,Customers Priority,Honest Operation,and Considerate Service”,our business mainly focus on the distribution of electronic components. Line cards we deal with include Microchip,ALPS,ROHM,Xilinx,Pulse,ON,Everlight and Freescale. Main products comprise IC,Modules,Potentiometer,IC Socket,Relay,Connector.Our parts cover such applications as commercial,industrial, and automotives areas.

We are looking forward to setting up business relationship with you and hope to provide you with the best service and solution. Let us make a better world for our industry!



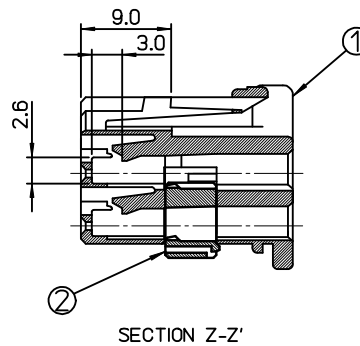
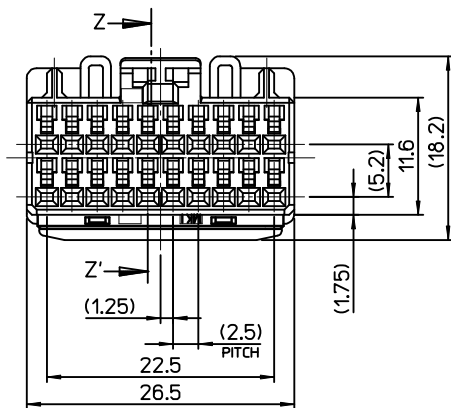
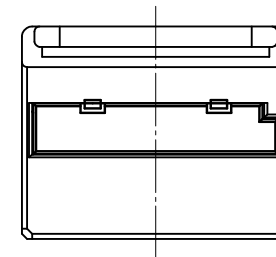
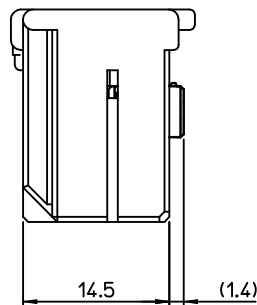
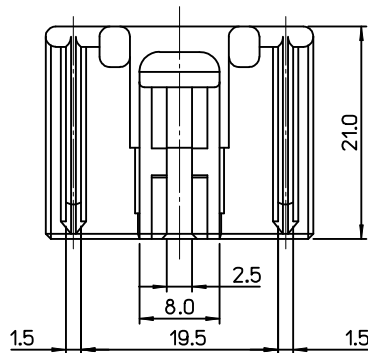
## Contact us

Tel: +86-755-8981 8866 Fax: +86-755-8427 6832

Email & Skype: info@chipsmall.com Web: www.chipsmall.com

Address: A1208, Overseas Decoration Building, #122 Zhenhua RD., Futian, Shenzhen, China





NOTES

1. MATERIAL : SEE PART LIST
2. APPLICABLE HEADER : 68151-2015,68151-2016(VERTICAL)  
68151-2025(RIGHT ANGLE)
3. APPLICABLE TERMINAL :

PART NO.	WIRE RANGE		MATERIAL	REMARK
	mm <sup>2</sup>	AWG		
50654-1001	0.3-0.85	22-18	COPPER ALLOY	TIN-PLATED

<PART LIST>

NO.	PART NAME	MATERIAL	REMARK
①	REC. HOUSING	POLYESTER(PBT)	NATURAL,GRAY
②	TPA	POLYESTER(PBT)	NATURAL

<TABLE 1>

MATERIAL NO.	ORDER NO.	COLOR
355642010	35564-2010	NATURAL
355642015	35564-2015	GRAY

REVISED EC NO: KOR2009-0157 DRW: EOKIM 2009/05/28 CHK: BKYOUN 2009/05/28 APPR: YUNSIKKIM 2009/05/28 A1	QUALITY SYMBOLS ▽=0 ▽=0	GENERAL TOLERANCES (UNLESS SPECIFIED) <table border="1"> <thead> <tr> <th></th> <th>mm</th> <th>INCH</th> </tr> </thead> <tbody> <tr> <td>4 PLACES</td> <td>± ---</td> <td>± ---</td> </tr> <tr> <td>3 PLACES</td> <td>± ---</td> <td>± ---</td> </tr> <tr> <td>2 PLACES</td> <td>± 0.15</td> <td>± ---</td> </tr> <tr> <td>1 PLACE</td> <td>± 0.25</td> <td>± ---</td> </tr> </tbody> </table> ANGULAR ± 1°		mm	INCH	4 PLACES	± ---	± ---	3 PLACES	± ---	± ---	2 PLACES	± 0.15	± ---	1 PLACE	± 0.25	± ---	DIMENSION STYLE MM ONLY DRAWN BY: YSIKKIM DATE: 1999/06/02 CHECKED BY: BKCHOI DATE: 1999/06/02 APPROVED BY: CWLEE DATE: 1999/06/02	SCALE 2:1 TITLE 040 WIRE-TO-BOARD CONN. FEMALE HOUSING ASS'Y 20P	DESIGN UNITS METRIC THIRD ANGLE PROJECTION
		mm	INCH																	
	4 PLACES	± ---	± ---																	
	3 PLACES	± ---	± ---																	
2 PLACES	± 0.15	± ---																		
1 PLACE	± 0.25	± ---																		
DRAFT WHERE APPLICABLE MUST REMAIN WITHIN DIMENSIONS		MATERIAL NO. SEE TABLE 1	MOLEX INCORPORATED SD-35564-001		SHEET NO. 1 OF 1															
THIS DRAWING CONTAINS INFORMATION THAT IS PROPRIETARY TO MOLEX INCORPORATED AND SHOULD NOT BE USED WITHOUT WRITTEN PERMISSION																				