



Chipsmall Limited consists of a professional team with an average of over 10 year of expertise in the distribution of electronic components. Based in Hongkong, we have already established firm and mutual-benefit business relationships with customers from,Europe,America and south Asia,supplying obsolete and hard-to-find components to meet their specific needs.

With the principle of “Quality Parts,Customers Priority,Honest Operation,and Considerate Service”,our business mainly focus on the distribution of electronic components. Line cards we deal with include Microchip,ALPS,ROHM,Xilinx,Pulse,ON,Everlight and Freescale. Main products comprise IC,Modules,Potentiometer,IC Socket,Relay,Connector.Our parts cover such applications as commercial,industrial, and automotives areas.

We are looking forward to setting up business relationship with you and hope to provide you with the best service and solution. Let us make a better world for our industry!



Contact us

Tel: +86-755-8981 8866 Fax: +86-755-8427 6832

Email & Skype: info@chipsmall.com Web: www.chipsmall.com

Address: A1208, Overseas Decoration Building, #122 Zhenhua RD., Futian, Shenzhen, China



DO NOT SCALE DRAWING
DIMENSION IN METRIC

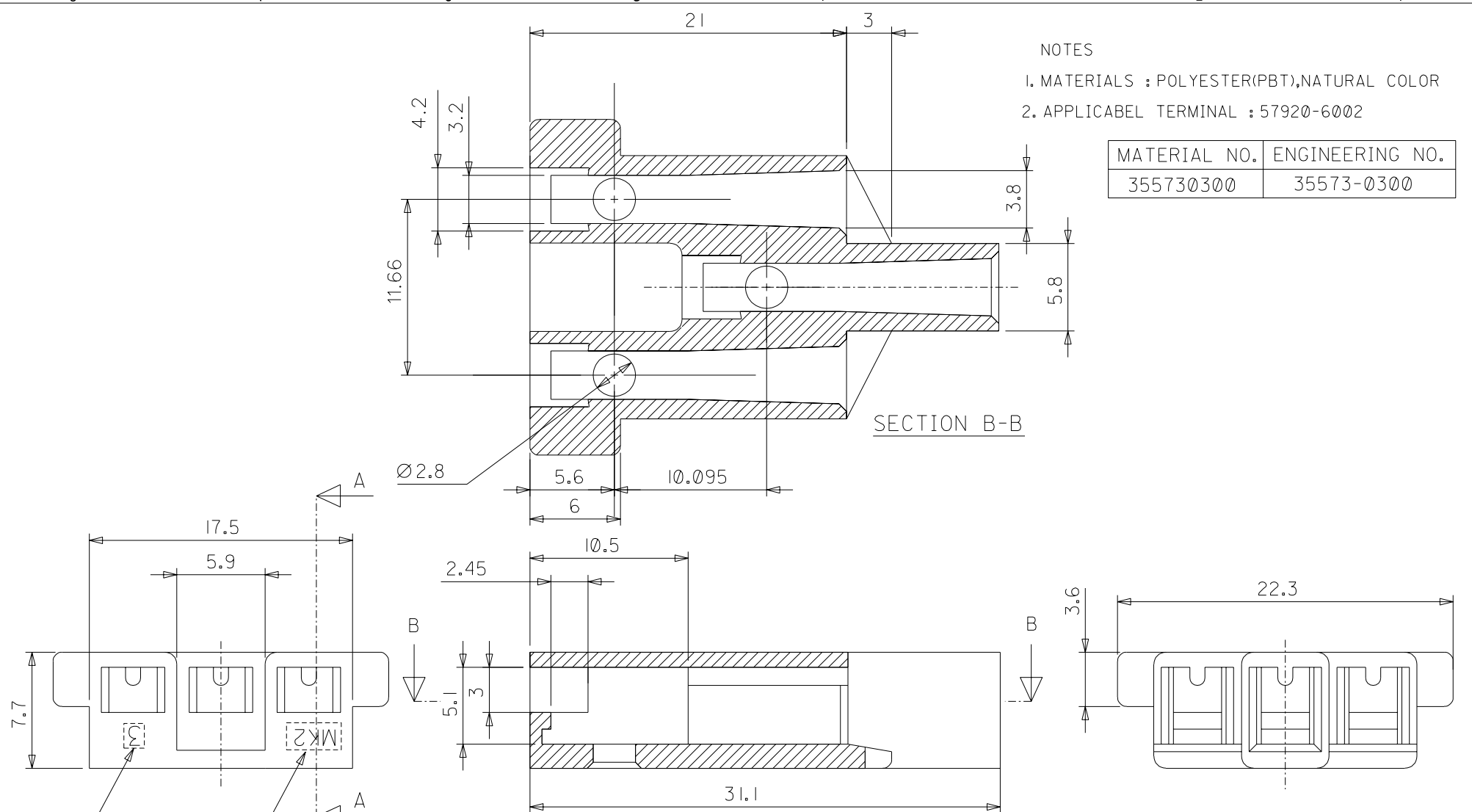
DWG. NO.
SD-35573-001

SIMILAR ITEM

PROJECT NO.

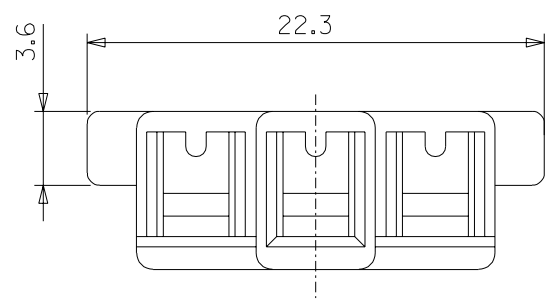
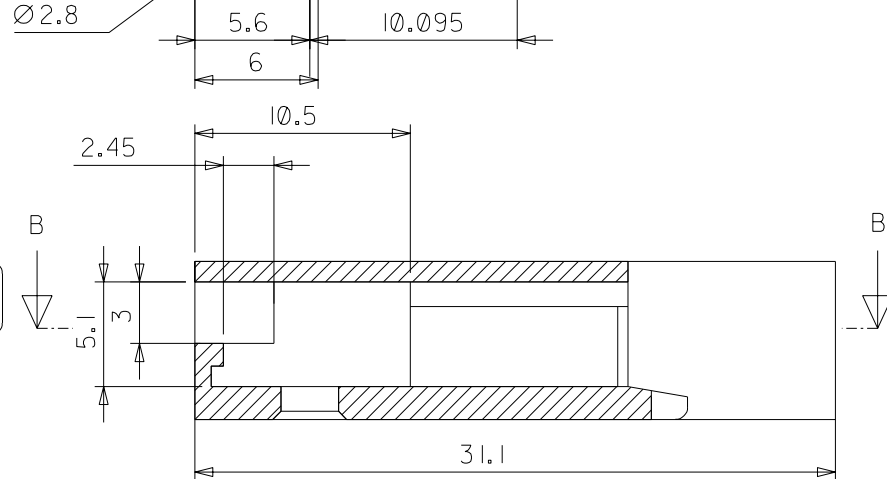
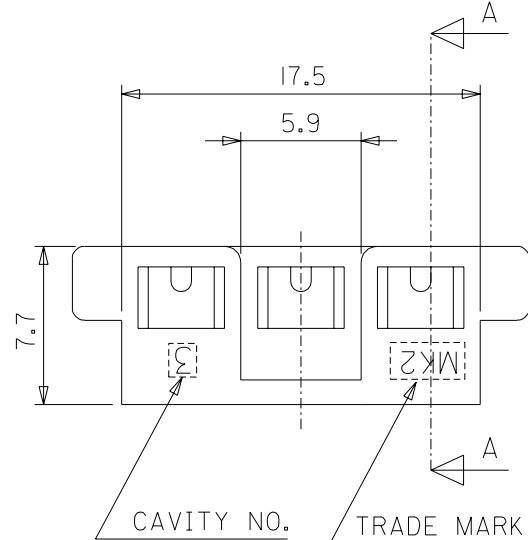
C

B



NOTES
1. MATERIALS : POLYESTER(PBT),NATURAL COLOR
2. APPLICABEL TERMINAL : 57920-6002

MATERIAL NO.	ENGINEERING NO.
355730300	35573-0300



REVISED EC NO. KOR2002-0093 DRWN: C.B.CHIN 02/03/21 CHK: W.Y.YANG APPR: C.W.LEE	DESCRIPTION	QUALITY SYMBOLS	GENERAL TOLERANCES: (UNLESS SPECIFIED)		SCALE 4:1	DESIGN UNITS <input checked="" type="checkbox"/> mm <input type="checkbox"/> INCH	THIRD ANGLE PROJECTION <input type="checkbox"/> mm <input type="checkbox"/> INCH <input checked="" type="checkbox"/> mm ONLY	SHT	REV
		MAJOR = 0	mm	INCH	DRAWN BY & DATE W.Y.YANG 99/11/13	TITLE: CLUSTER BLOCK HOUSIG-3P (2.29 DIA. PIN)			
B	REV	CRITICAL = 0	4 PLACES	±0.	±.	CHECKED BY & DATE B.K.CHOI 99/11/13	MOLEX INCORPORATED		
			3 PLACES	±0.	±.	APPROVED BY & DATE C.W.LEE 99/11/13			
			2 PLACES	±0.25	±.	CAD FILENAME S35573.DGN	MATERIAL NO. SEE CHART	DRAWING NO. SD-35573-001	SHEET NO. 1 OF 1
			1 PLACE	±0.25	±.	THIS DRAWING CONTAINS INFORMATION THAT IS PROPRIETARY TO MOLEX INCORPORATED AND SHOULD NOT BE USED WITHOUT WRITTEN PERMISSION.			SIZE B
DRAFT WHERE APPLICABLE MUST REMAIN WITHIN DIMENSIONS			ANGULAR: ± °		MX-A3				