



Chipsmall Limited consists of a professional team with an average of over 10 year of expertise in the distribution of electronic components. Based in Hongkong, we have already established firm and mutual-benefit business relationships with customers from,Europe,America and south Asia,supplying obsolete and hard-to-find components to meet their specific needs.

With the principle of “Quality Parts,Customers Priority,Honest Operation,and Considerate Service”,our business mainly focus on the distribution of electronic components. Line cards we deal with include Microchip,ALPS,ROHM,Xilinx,Pulse,ON,Everlight and Freescale. Main products comprise IC,Modules,Potentiometer,IC Socket,Relay,Connector.Our parts cover such applications as commercial,industrial, and automotives areas.

We are looking forward to setting up business relationship with you and hope to provide you with the best service and solution. Let us make a better world for our industry!



## Contact us

Tel: +86-755-8981 8866 Fax: +86-755-8427 6832

Email & Skype: info@chipsmall.com Web: www.chipsmall.com

Address: A1208, Overseas Decoration Building, #122 Zhenhua RD., Futian, Shenzhen, China

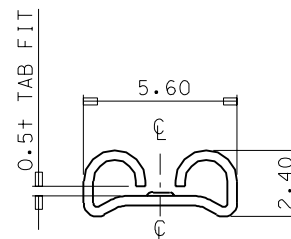
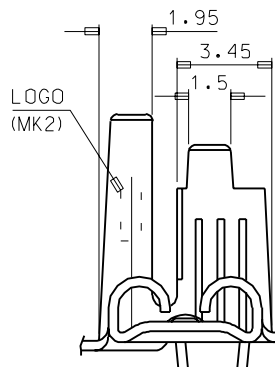
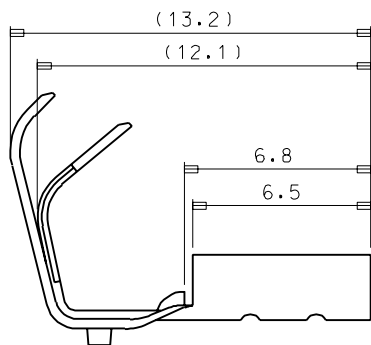
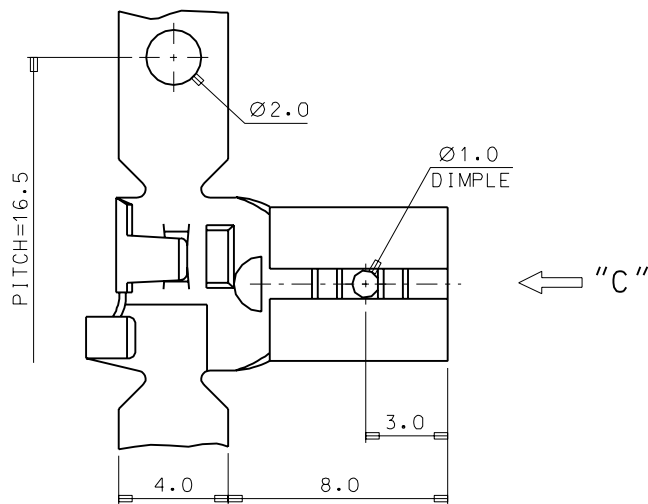


ENG. NO SD 35718-12\*\*

EDP NO.

SIMILAR ITEM

PROJECT NO.



VIEW "C"

NOTES

- MATERIAL : 35718-12\*0 (BRASS)  
35718-12\*1 (PHOSPHOR BRONZE)
- THICKNESS : 0.35mm
- FINISH : 35718-120\* (UNPLATED)  
35718-121\* (POST PLATED TIN)
- GENERAL TOLERANCE : 1PLCS : ±0.3  
2PLCS : ±0.2

WIRE RANGE AWG #20 - #16 (0.52-1.31mm <sup>2</sup> )				MATERIAL SEE NOTES				MOLEX-KOREA CO.,LTD.	
INSULATION RANGE Ø 3.1 MAX.				GENERAL TOLERANCE DIMENSION : ANGLE :				DRAWN BY W. Y. YANG	
DIE FEED: ---				DIMENSION CLASSIFICATION ▽ : CRITICAL ▼ : MAJOR ( ) : REFERENCE				CHK'D BY	
APPLICATOR FEED: 16.5				ASS'Y PART DESCRIPTION ENG. NO.				APP'D BY	
O'TY/ REEL OR PACK 4,000 O'TY/REEL				REVISE ONLY ON CAD SYSTEM				SCALE 6/1	
B REVISED KOR7 97 7.16 -0085				TITLE: .187 FLAG RECEPTACLE				SHEET 1 of 1	
A NEW RELEASED 93-003 93 2.27				ENG. NO. SD 35718-12**				REV B	
LTR REVISION RECORD ECN DATE									