

Chipsmall Limited consists of a professional team with an average of over 10 year of expertise in the distribution of electronic components. Based in Hongkong, we have already established firm and mutual-benefit business relationships with customers from,Europe,America and south Asia,supplying obsolete and hard-to-find components to meet their specific needs.

With the principle of “Quality Parts,Customers Priority,Honest Operation,and Considerate Service”,our business mainly focus on the distribution of electronic components. Line cards we deal with include Microchip,ALPS,ROHM,Xilinx,Pulse,ON,Everlight and Freescale. Main products comprise IC,Modules,Potentiometer,IC Socket,Relay,Connector.Our parts cover such applications as commercial,industrial, and automotives areas.

We are looking forward to setting up business relationship with you and hope to provide you with the best service and solution. Let us make a better world for our industry!



## Contact us

Tel: +86-755-8981 8866 Fax: +86-755-8427 6832

Email & Skype: info@chipsmall.com Web: www.chipsmall.com

Address: A1208, Overseas Decoration Building, #122 Zhenhua RD., Futian, Shenzhen, China

DWG. NO.  
SD-35725-26\*0

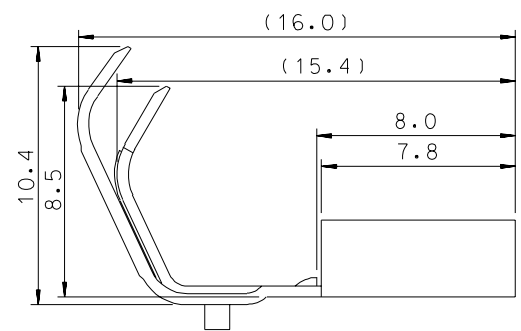
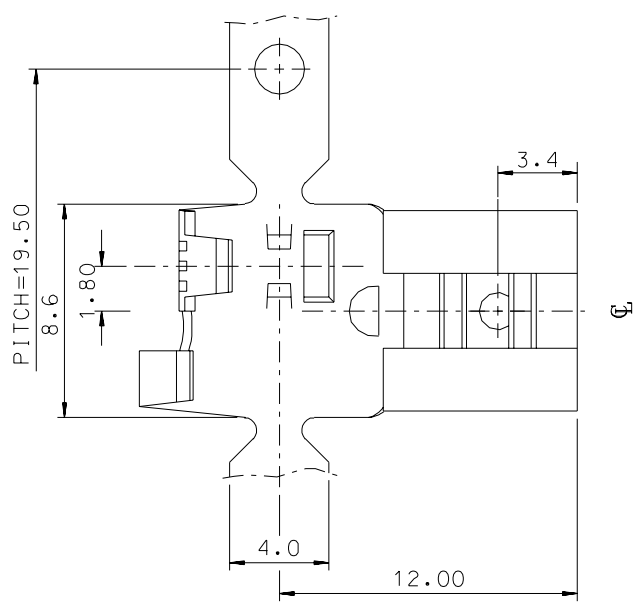
SIMILAR ITEM

PROJECT NO.

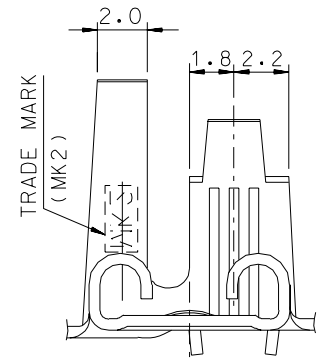
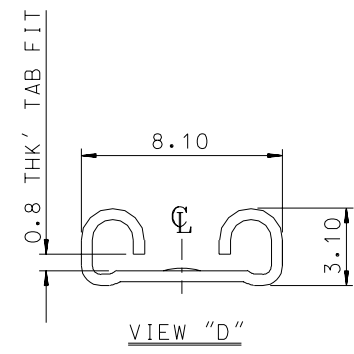
C

B

DO NOT SCALE DRAWING  
DIMENSION IN METRIC



"D"



NOTES

1. MATERIAL:BRASS, 0.45mmThk'
2. FINISH : POST-TIN PLATED
3. MATING TAB THICKNESS:0.8mmThk'
4. APPLICABLE WIRERANE :AWG#18 - #12
5. RECOMMENDED LENGTH OF WIRE STRIP IS 4.8mm - 5.3mm

MATERIAL NO.	ENG NO.	FINISH
357252600	35725-2600	UNPLATED
357252610	35725-2610	POST TIN PLATED

REVISED EC NO. KOR2004-0148 DRWN: C.B.CHIN 04/06/22 CHK: W.Y.YANG APPR: C.W.LEE	QUALITY SYMBOLS MAJOR = 0 CRITICAL = 0	GENERAL TOLERANCES: (UNLESS SPECIFIED)		SCALE 5:1	DESIGN UNITS <input checked="" type="checkbox"/> mm <input type="checkbox"/> INCH	THIRD ANGLE PROJECTION	DIMENSIONS: <input type="checkbox"/> mm <input type="checkbox"/> INCH <input checked="" type="checkbox"/> mm ONLY	SHT REVISE ON CAD ONLY	REV
		4 PLACES ±0.     ±.	DRAWN BY & DATE W.Y.YANG 93/07/21	TITLE: .250 FLAG REC' TERMINAL					
		3 PLACES ±0.     ±.	CHECKED BY & DATE B.K.CHOI 93/07/21	MOLEX INCORPORATED					
		2 PLACES ±0.30     ±.	APPROVED BY & DATE C.W.LEE 93/07/21	CAD FILENAME ST252610AA.DGN	MATERIAL NO. SEE NOTES	DRAWING NO. SD-35725-26*0	SHEET NO. 10F1		
1 PLACE ±0.30     ±.	ANGULAR: ± °	THIS DRAWING CONTAINS INFORMATION THAT IS PROPRIETARY TO MOLEX INCORPORATED AND SHOULD NOT BE USED WITHOUT WRITTEN PERMISSION.							
REV	DESCRIPTION	DRAFT WHERE APPLICABLE MUST REMAIN WITHIN DIMENSIONS		SIZE B		MX-A3			