



Chipsmall Limited consists of a professional team with an average of over 10 year of expertise in the distribution of electronic components. Based in Hongkong, we have already established firm and mutual-benefit business relationships with customers from,Europe,America and south Asia,supplying obsolete and hard-to-find components to meet their specific needs.

With the principle of “Quality Parts,Customers Priority,Honest Operation,and Considerate Service”,our business mainly focus on the distribution of electronic components. Line cards we deal with include Microchip,ALPS,ROHM,Xilinx,Pulse,ON,Everlight and Freescale. Main products comprise IC,Modules,Potentiometer,IC Socket,Relay,Connector.Our parts cover such applications as commercial,industrial, and automotives areas.

We are looking forward to setting up business relationship with you and hope to provide you with the best service and solution. Let us make a better world for our industry!



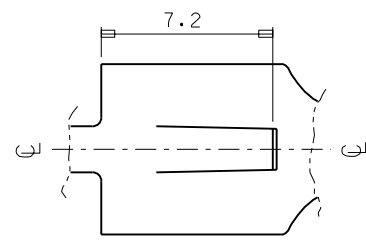
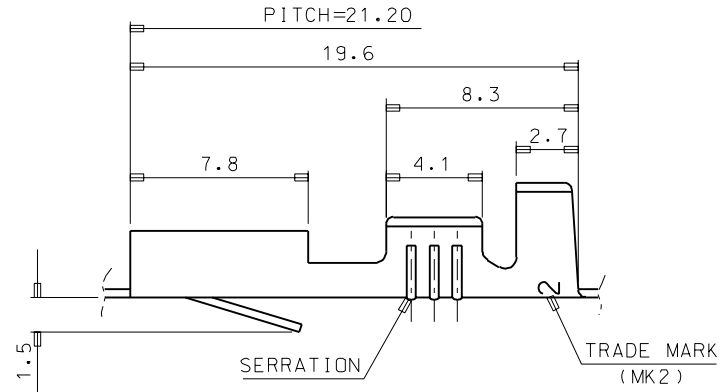
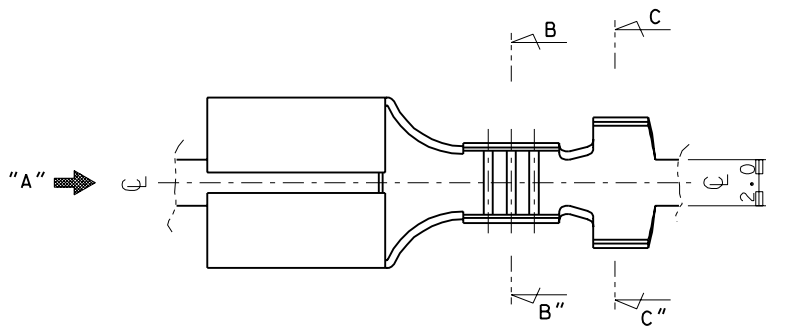
Contact us

Tel: +86-755-8981 8866 Fax: +86-755-8427 6832

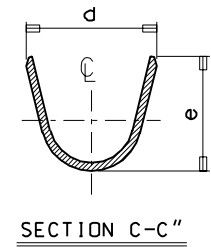
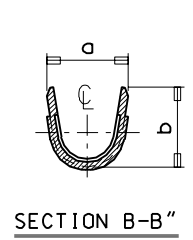
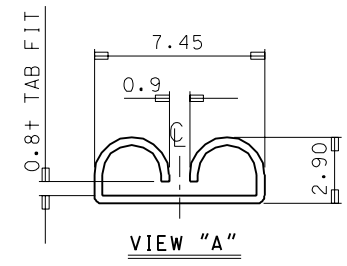
Email & Skype: info@chipsmall.com Web: www.chipsmall.com

Address: A1208, Overseas Decoration Building, #122 Zhenhua RD., Futian, Shenzhen, China





- NOTES
1. MATERIAL : BRASS, 0.35mm THICKNESS
THICKNESS : 0.35 mm
 2. FINISH : UNPLATED(35725-3300/3400/3500)
POST-TIN PLATING(35725-3310/3410/3510)
 3. RECOMMENDED LENGTH OF WIRE STRIP IS 5.2-5.8 mm



| ENG. NO. | a | b | d | e | WIRE RANGE | Q'TY/REEL |
|------------|------|-----|-----|-----|-------------|-----------|
| 35725-33*0 | 5.2 | 4.6 | 6.3 | 6.3 | AWG #14-#10 | 4,000 |
| 35725-34*0 | 3.5 | 3.5 | 5.7 | 5.0 | AWG #18-#14 | 5,000 |
| 35725-35*0 | 2.85 | 2.9 | 3.8 | 3.8 | AWG #22-#20 | 5,000 |

| | | | | | | | |
|---------------------------------|---------------------------|-----------------|--------|---------|--|-----------------------------|-----------------------------|
| WIRE RANGE SEE TABLE | | | | | MATERIAL SEE NOTES | molex MOLEX-KOREA CO.,LTD. | |
| INSULATION RANGE --- | B | REVISED | 95-007 | 95.1.17 | GENERAL TOLERANCE DIMENSION : 1Pics:±0.30 ANGLE: 2Pics:±0.20 | DRAWN BY J.S.KANG | CHK'D BY |
| DIE FEED: --- | A | CAD REDRAWING | | 93.6.3 | DIMENSION CLASSIFICATION ▽: CRITICAL ▼: MAJOR (): REFERENCE | APP'D BY | SCALE 5:1(CAD) |
| APPLICATOR FEED: 21.2 | LTR | REVISION RECORD | ECN | DATE | ASS'Y PART DESCRIPTION/ ENG. NO. | TITLE: .250 SLIP-IN REC' | |
| Q'TY/ REEL OR PACK SEE TABLE | REVISE ONLY ON CAD SYSTEM | | | | --- | ENG. NO. SD 35725-3**0 | SHEET 1 OF 1 REV B |