



Chipsmall Limited consists of a professional team with an average of over 10 year of expertise in the distribution of electronic components. Based in Hongkong, we have already established firm and mutual-benefit business relationships with customers from,Europe,America and south Asia,supplying obsolete and hard-to-find components to meet their specific needs.

With the principle of “Quality Parts,Customers Priority,Honest Operation,and Considerate Service”,our business mainly focus on the distribution of electronic components. Line cards we deal with include Microchip,ALPS,ROHM,Xilinx,Pulse,ON,Everlight and Freescale. Main products comprise IC,Modules,Potentiometer,IC Socket,Relay,Connector.Our parts cover such applications as commercial,industrial, and automotives areas.

We are looking forward to setting up business relationship with you and hope to provide you with the best service and solution. Let us make a better world for our industry!



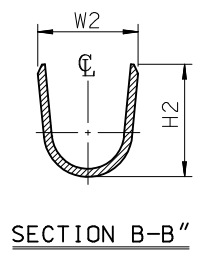
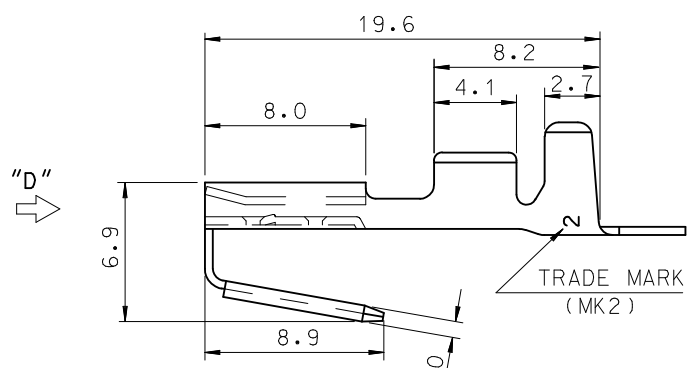
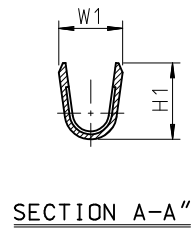
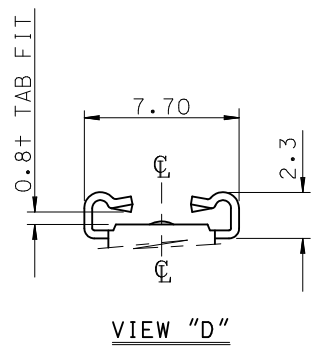
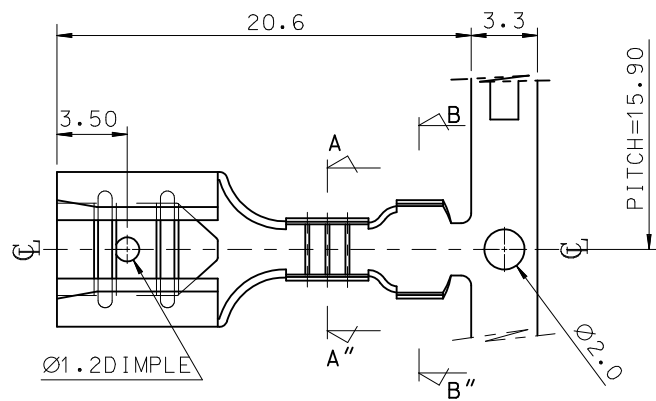
Contact us

Tel: +86-755-8981 8866 Fax: +86-755-8427 6832

Email & Skype: info@chipsmall.com Web: www.chipsmall.com

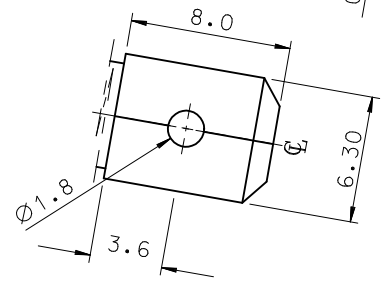
Address: A1208, Overseas Decoration Building, #122 Zhenhua RD., Futian, Shenzhen, China





NOTES

1. MATERIAL : BRASS 0.40 ± 0.03 THK'
2. FINISH : POST-TIN PLATING
3. RECOMMENDED LENGTH OF WIRE STRIP IS 5.3-5.8



MATERIAL NO.	PART NO.	W1	H1	W2	H2	WIRE	INSUL.DIA.
357253910	35725-3910	3.1	3.8	4.9	5.6	AWG#18-#16	MAX.Ø3.12
357254910	35725-4910			6.5	6.35	AWG#14	MAX.Ø3.50
357255910	35725-5910	4.0	4.2			AWG#12	MAX.Ø3.98

WIRE : UL1015

REVISED EC NO: KOR2012-0110 DRWN:HYOU 2012/04/23 CHKD:SH CHU APPR:YSK1M02 2012/04/25 DESCRIPTION	QUALITY SYMBOLS	GENERAL TOLERANCES (UNLESS SPECIFIED)	DIMENSION STYLE	SCALE	DESIGN UNITS	THIRD ANGLE PROJECTION	
	▼=0 ▽=0	mm INCH	MM ONLY	4:1	METRIC		
		4 PLACES ± --- ± ---	DRAWN BY DATE	TITLE			
		3 PLACES ± --- ± ---	W.Y.YANG 1993/06/26	.250 PIGGY BACK			
	2 PLACES ± 0.30 ± ---	CHECKED BY DATE	DOCUMENT NO.				
	1 PLACE ± 0.20 ± ---	B.K.CHOI 1993/06/26	SD-35725-*910				
	0 PLACE ± ±	APPROVED BY DATE	SHEET NO.				
		C.W.LEE 1993/06/26	1 OF 1				
		MATERIAL NO.	SEE TABLE				
			THIS DRAWING CONTAINS INFORMATION THAT IS PROPRIETARY TO MOLEX INCORPORATED AND SHOULD NOT BE USED WITHOUT WRITTEN PERMISSION				