



Chipsmall Limited consists of a professional team with an average of over 10 year of expertise in the distribution of electronic components. Based in Hongkong, we have already established firm and mutual-benefit business relationships with customers from,Europe,America and south Asia,supplying obsolete and hard-to-find components to meet their specific needs.

With the principle of "Quality Parts,Customers Priority,Honest Operation,and Considerate Service",our business mainly focus on the distribution of electronic components. Line cards we deal with include Microchip,ALPS,ROHM,Xilinx,Pulse,ON,Everlight and Freescale. Main products comprise IC,Modules,Potentiometer,IC Socket,Relay,Connector.Our parts cover such applications as commercial,industrial, and automotives areas.

We are looking forward to setting up business relationship with you and hope to provide you with the best service and solution. Let us make a better world for our industry!



Contact us

Tel: +86-755-8981 8866 Fax: +86-755-8427 6832

Email & Skype: info@chipsmall.com Web: www.chipsmall.com

Address: A1208, Overseas Decoration Building, #122 Zhenhua RD., Futian, Shenzhen, China



DO NOT SCALE DRAWING DIMENSION IN METRIC

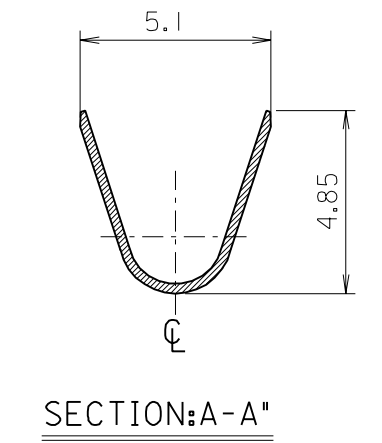
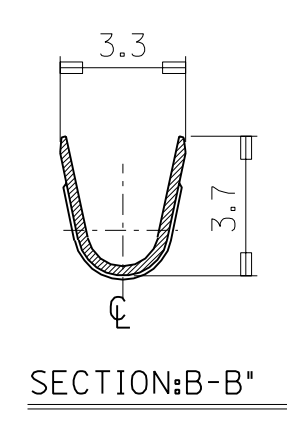
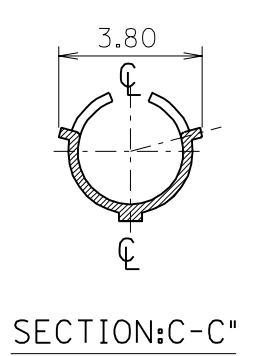
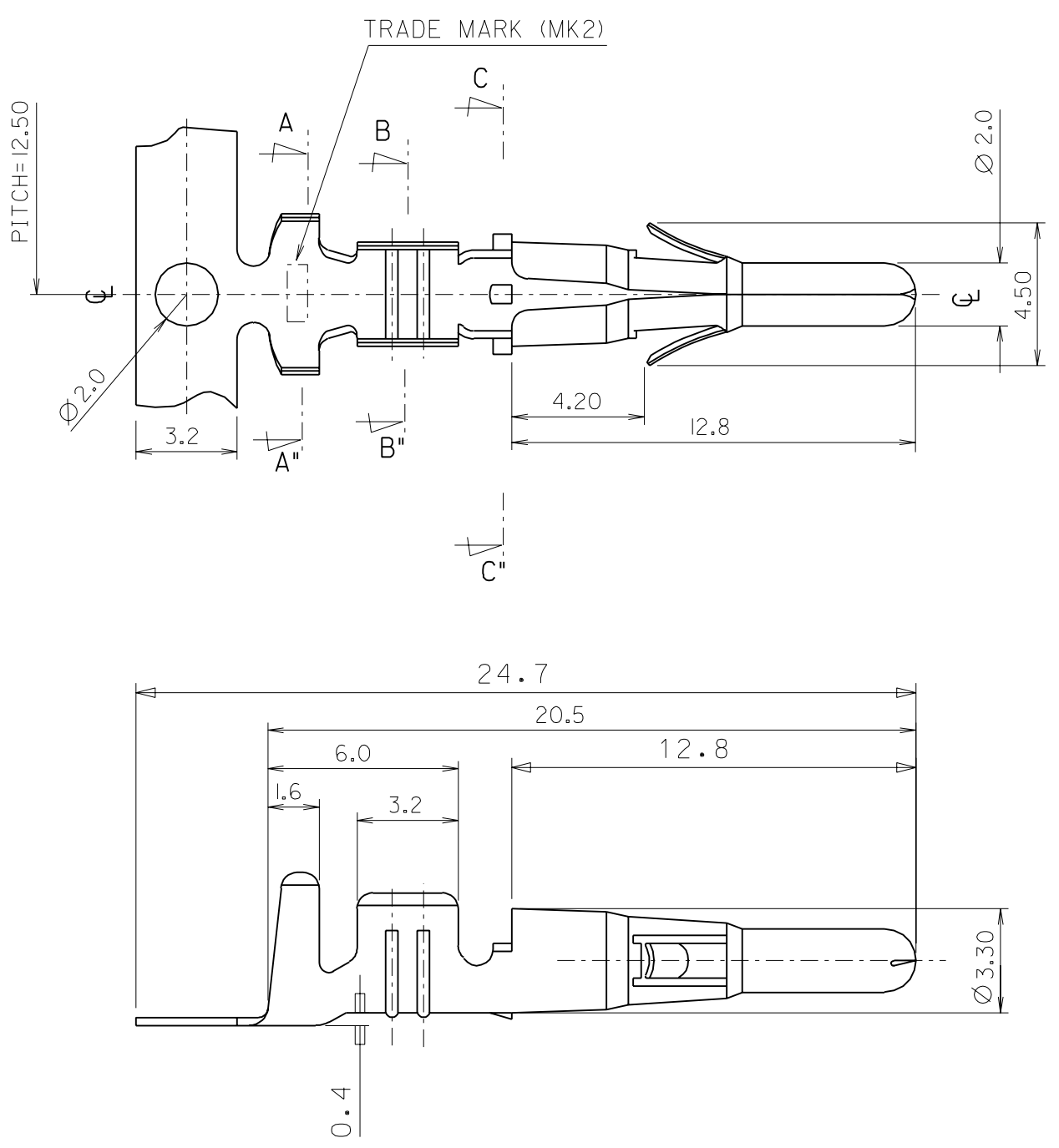
DWG. NO. SD-35727-001

SIMILAR ITEM

PROJECT NO.

C

B



- NOTES**
1. MATERIAL: BRASS THICKNESS:0.25
 2. FINISH: PRE-TIN PLATING
 3. APPLICABLE HOUSING: Ø2.0 RECEPTACLE HOUSING
(35141-**01, 35142-**01) * MEANS CIRCUIT NO.
 4. MATING TERMINAL: Ø2.0 SOCKET TERMINAL 35728-0201
 5. APPLICABLE WIRE RANGE: AWG #20-#14, 1.9-3.4mm INSUL.DIA.

MATERIAL NO.	ENG. NO.
357270201	35727-0201

REVISED EC NO. KOR 1999-0120 DRWN: H.C.RHO 99/12/29 CHK: APPR:	DESCRIPTION MAJOR = 3 CRITICAL = 1	GENERAL TOLERANCES: (UNLESS SPECIFIED)		SCALE 5:1	DESIGN UNITS <input checked="" type="checkbox"/> mm <input type="checkbox"/> INCH	THIRD ANGLE PROJECTION	DIMENSIONS: <input type="checkbox"/> mm <input type="checkbox"/> INCH <input checked="" type="checkbox"/> mm ONLY		SHT	REV	
		4 PLACES	±0.	±.	DRAWN BY & DATE W.Y.YANG 92/03/04		TITLE: 2.0 DIA PIN TERMINAL				
		3 PLACES	±0.	±.	CHECKED BY & DATE B.K.CHOI 92/03/04		MOLEX INCORPORATED KOREA				
		2 PLACES	±0.25	±.	APPROVED BY & DATE C.W.LEE 92/03/04						
1 PLACE	±0.25	±.	ANGULAR: ± 3 °		CAD FILENAME E7270201.DGN	MATERIAL NO. SEE CHART	DRAWING NO. SD-35727-001	SHEET NO. 10F1	THIS DRAWING CONTAINS INFORMATION THAT IS PROPRIETARY TO MOLEX INCORPORATED AND SHOULD NOT BE USED WITHOUT WRITTEN PERMISSION.		
DRAFT WHERE APPLICABLE MUST REMAIN WITHIN DIMENSIONS								SIZE B		MX-A3	