



Chipsmall Limited consists of a professional team with an average of over 10 year of expertise in the distribution of electronic components. Based in Hongkong, we have already established firm and mutual-benefit business relationships with customers from,Europe,America and south Asia,supplying obsolete and hard-to-find components to meet their specific needs.

With the principle of “Quality Parts,Customers Priority,Honest Operation,and Considerate Service”,our business mainly focus on the distribution of electronic components. Line cards we deal with include Microchip,ALPS,ROHM,Xilinx,Pulse,ON,Everlight and Freescale. Main products comprise IC,Modules,Potentiometer,IC Socket,Relay,Connector.Our parts cover such applications as commercial,industrial, and automotives areas.

We are looking forward to setting up business relationship with you and hope to provide you with the best service and solution. Let us make a better world for our industry!



Contact us

Tel: +86-755-8981 8866 Fax: +86-755-8427 6832

Email & Skype: info@chipsmall.com Web: www.chipsmall.com

Address: A1208, Overseas Decoration Building, #122 Zhenhua RD., Futian, Shenzhen, China



DO NOT SCALE DRAWING DIMENSION IN METRIC

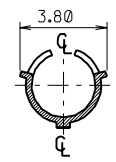
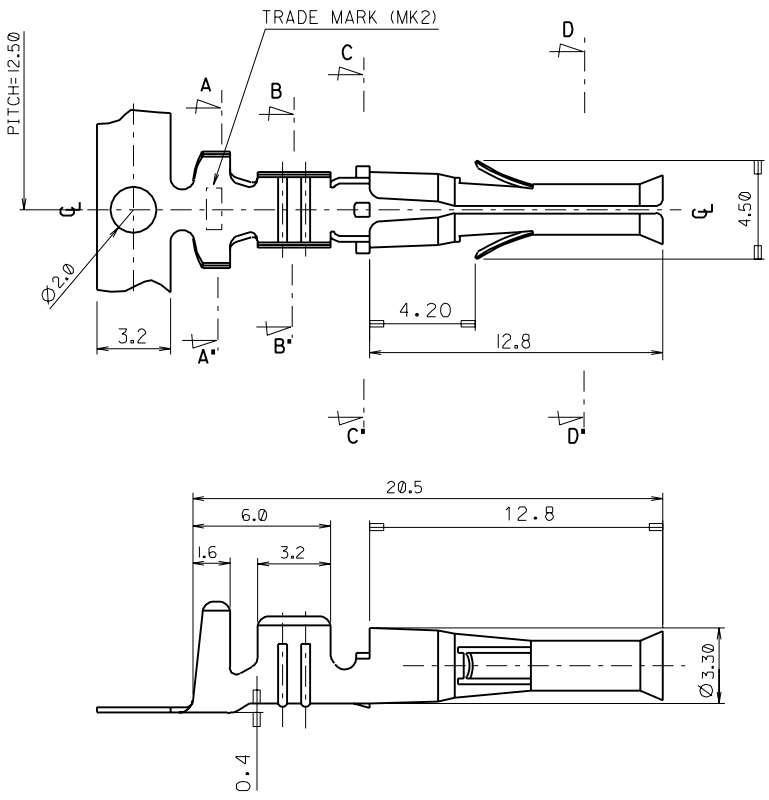
PROJECT NO. SD-35728-001

SIMILAR ITEM

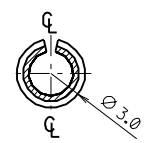
PROJECT NO.

C

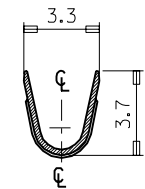
B



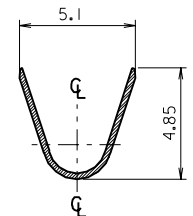
SECTION:C-C'



SECTION:D-D'



SECTION:B-B'



SECTION:A-A'

NOTES

1. MATERIAL: BRASS THICKNESS:0.25
2. FINISH: PRE-TIN PLATING
6. APPLICABLE HOUSING:Ø2.0 PLUG HOUSING (35143-**-01, 35144-0401) • MEANS CIRCUIT NO.
7. MATING TERMINAL:Ø2.0 PIN TERMINAL (35727-0201)
8. APPLICABLE WIRE RANGE: AWG #20-#14, INSUL.DIA 1.9-3.4mm

MATERIAL NO.	ENG. NO.
357280201	35728-0201

REVISED EC NO. KOR 1999-0120 DRWN: W.Y.YANG 99.12.31 CHK: CHK: APPR:	QUALITY SYMBOLS	MAJOR = 3
	DESCRIPTION	CRITICAL = 0
REV		

GENERAL TOLERANCES: (UNLESS SPECIFIED)	
	mm INCH
4 PLACES	±0.25 ±
3 PLACES	±0.25 ±
2 PLACES	±0.25 ±
1 PLACE	±0.25 ±
ANGULAR: ± 3°	
DRAFT WHERE APPLICABLE MUST REMAIN WITHIN DIMENSIONS	

SCALE 5:1	DESIGN UNITS <input checked="" type="checkbox"/> mm <input type="checkbox"/> INCH
DRAWN BY & DATE W.Y.YANG 92/03/04	
CHECKED BY & DATE B.K.CHOI 92/03/04	
APPROVED BY & DATE C.W.LEE 92/03/04	
CAD FILENAME E7280201.DGN	

DIMENSIONS: <input type="checkbox"/> mm <input type="checkbox"/> INCH <input checked="" type="checkbox"/> mm ONLY		SHT	REV
THIRD ANGLE PROJECTION		REVISE ON CAD ONLY	
TITLE: 2.0 DIA SOCKET TERMINAL			
MOLEX INCORPORATED KOREA			
MATERIAL NO. SEE CHART	DRAWING NO. SD-35728-001	SHEET NO. 10F1	SIZE B
THIS DRAWING CONTAINS INFORMATION THAT IS PROPRIETARY TO MOLEX INCORPORATED AND SHOULD NOT BE USED WITHOUT WRITTEN PERMISSION.			