



Chipsmall Limited consists of a professional team with an average of over 10 year of expertise in the distribution of electronic components. Based in Hongkong, we have already established firm and mutual-benefit business relationships with customers from,Europe,America and south Asia,supplying obsolete and hard-to-find components to meet their specific needs.

With the principle of "Quality Parts,Customers Priority,Honest Operation,and Considerate Service",our business mainly focus on the distribution of electronic components. Line cards we deal with include Microchip,ALPS,ROHM,Xilinx,Pulse,ON,Everlight and Freescale. Main products comprise IC,Modules,Potentiometer,IC Socket,Relay,Connector.Our parts cover such applications as commercial,industrial, and automotives areas.

We are looking forward to setting up business relationship with you and hope to provide you with the best service and solution. Let us make a better world for our industry!



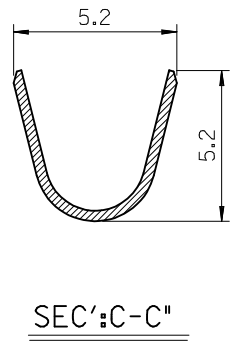
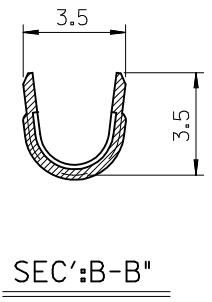
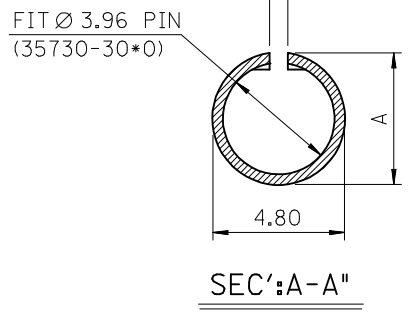
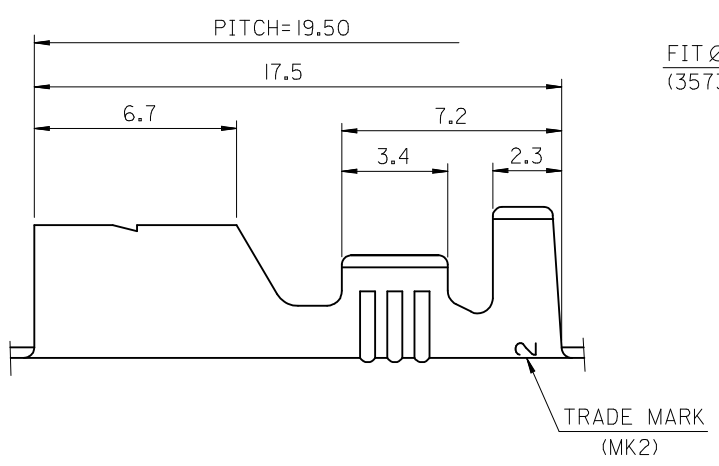
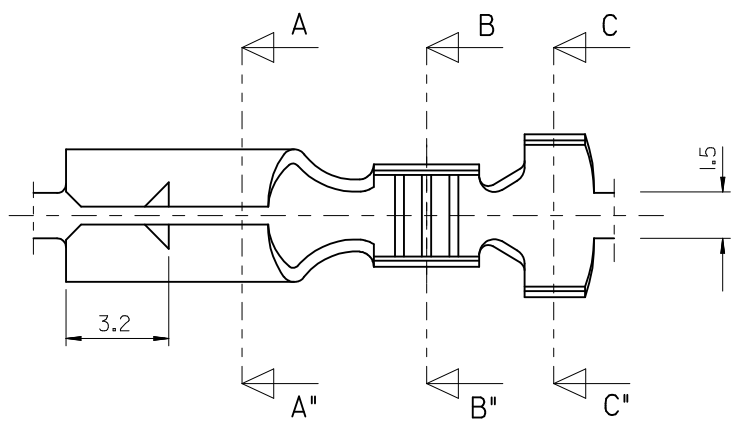
Contact us

Tel: +86-755-8981 8866 Fax: +86-755-8427 6832

Email & Skype: info@chipsmall.com Web: www.chipsmall.com

Address: A1208, Overseas Decoration Building, #122 Zhenhua RD., Futian, Shenzhen, China





- NOTES
1. MATERIAL : BRASS
 2. FINISH : 35730-3100 : UNPLATED
 @ 35730-3110 : TIN PLATED
 1.0 μm MIN. TIN PLATING
 OVERALL 0.3~0.8μm COPPER PLATING
 3. PRODUCT SPECIFICATION : PS-35730-001
 4. MATES WITH : 35730-30*0
 5. APPLICABLE WIRE RANGE : AWG #20~#14

ENG.NO.	DIMENSION	
	A	B
35730-3100	4.50	0.70
35730-3110	4.60	0.90

TABLE1

REVISED EC NO: KOR2009-0115 DRWN: JHPARK01 2009/01/29 CHKD: W. YANG 2009/01/29 APPR: YUNSIKKIM 2009/01/29	DESCRIPTION REV	QUALITY SYMBOLS ▽=0 ◻=0	GENERAL TOLERANCES (UNLESS SPECIFIED) <table border="1"> <thead> <tr> <th></th> <th>mm</th> <th>INCH</th> </tr> </thead> <tbody> <tr> <td>4 PLACES</td> <td>±---</td> <td>±---</td> </tr> <tr> <td>3 PLACES</td> <td>±---</td> <td>±---</td> </tr> <tr> <td>2 PLACES</td> <td>±0.20</td> <td>±---</td> </tr> <tr> <td>1 PLACE</td> <td>±0.30</td> <td>±---</td> </tr> <tr> <td colspan="3">ANGULAR ±---°</td> </tr> </tbody> </table>		mm	INCH	4 PLACES	±---	±---	3 PLACES	±---	±---	2 PLACES	±0.20	±---	1 PLACE	±0.30	±---	ANGULAR ±---°			DIMENSION STYLE MM ONLY	SCALE 6:1	DESIGN UNITS METRIC	THIRD ANGLE PROJECTION
			mm	INCH																					
		4 PLACES	±---	±---																					
		3 PLACES	±---	±---																					
		2 PLACES	±0.20	±---																					
1 PLACE	±0.30	±---																							
ANGULAR ±---°																									
DRAWN BY JS. KANG			DATE 1993/06/15	TITLE 3.96 PIN RECEPTACLE																					
CHECKED BY BK. CHOI			DATE 1993/06/15	MOLEX INCORPORATED																					
APPROVED BY CW. LEE			DATE 1993/06/15	DOCUMENT NO. SD-35730-31*0	SHEET NO. 1 OF 01																				
DRAFT WHERE APPLICABLE MUST REMAIN WITHIN DIMENSIONS			SEE NOTES	THIS DRAWING CONTAINS INFORMATION THAT IS PROPRIETARY TO MOLEX INCORPORATED AND SHOULD NOT BE USED WITHOUT WRITTEN PERMISSION																					