



Chipsmall Limited consists of a professional team with an average of over 10 year of expertise in the distribution of electronic components. Based in Hongkong, we have already established firm and mutual-benefit business relationships with customers from,Europe,America and south Asia,supplying obsolete and hard-to-find components to meet their specific needs.

With the principle of “Quality Parts,Customers Priority,Honest Operation,and Considerate Service”,our business mainly focus on the distribution of electronic components. Line cards we deal with include Microchip,ALPS,ROHM,Xilinx,Pulse,ON,Everlight and Freescale. Main products comprise IC,Modules,Potentiometer,IC Socket,Relay,Connector.Our parts cover such applications as commercial,industrial, and automotives areas.

We are looking forward to setting up business relationship with you and hope to provide you with the best service and solution. Let us make a better world for our industry!



Contact us

Tel: +86-755-8981 8866 Fax: +86-755-8427 6832

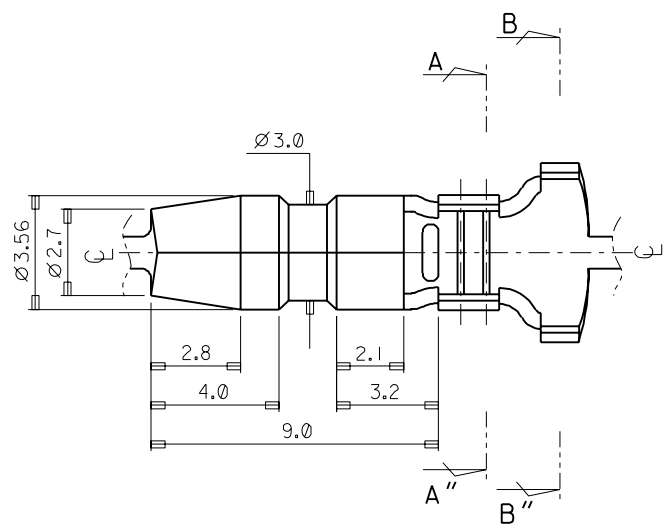
Email & Skype: info@chipsmall.com Web: www.chipsmall.com

Address: A1208, Overseas Decoration Building, #122 Zhenhua RD., Futian, Shenzhen, China

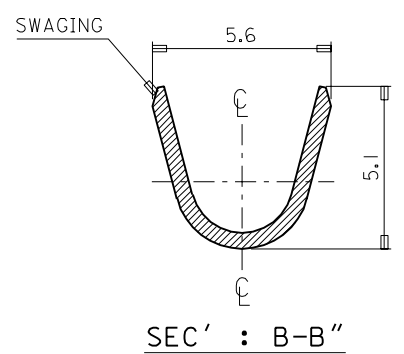
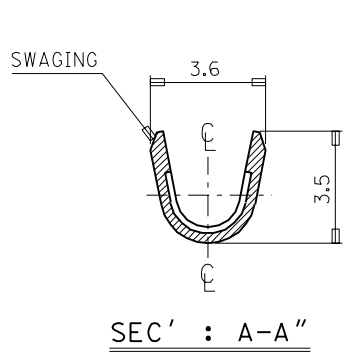
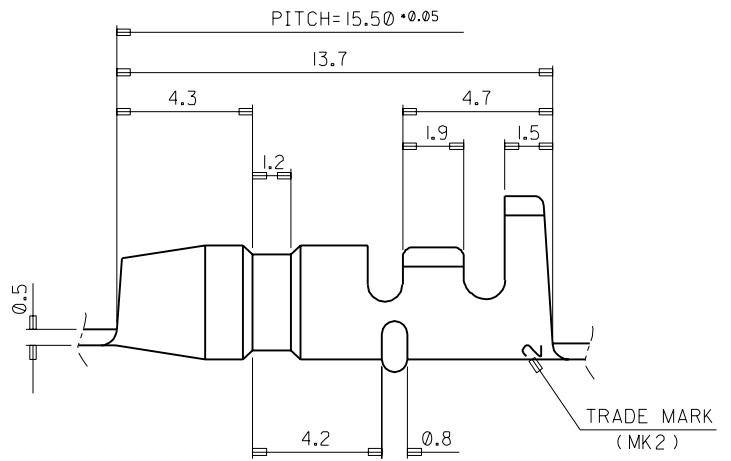


8 7 6 5 4 3 2 1

ENG. NO SD 35730-72*0
EDP NO.
SIMILAR ITEM
PROJECT NO. Ø3.56 PIN TM'L-S
DO NOT SCALE DRAWING
DIMENSION IN METRIC



- NOTES
1. MATERIAL : BRASS , 0.5 mm THICKNESS
 2. FINISH : 35730-7200(UNPLATED)
35730-7210(POST PLATED TIN)
35730-7240(TIN-LEAD PLATED)
 3. RECOMMENDED LENGTH OF WIRE STRIP IS 3.0-3.6mm



ASS'Y PART		QTY/REEL OR PACK	SURFACE AREA	MATERIAL	SEE NOTES	WIRE RANGE	GENERAL TOLERANCES	molex MOLEX-KOREA CO.,LTD.
DESCRIPTION	ENG.NO.	7,000 Q'TY /REEL	MM ²	DIMENSION CLASSIFICATION		AWG: #20-#14	DIM. : ±0.30	
		DIE NO.	LAYOUT NO.	<input checked="" type="checkbox"/> : CRITICAL <input checked="" type="checkbox"/> : MAJOR <input type="checkbox"/> : MINOR () : REFERENCE		MM ² : 0.5-2.2	ANGLE : ±0.15	REVISE ONLY ON CAD SYSTEM
B	REVISED	93-025	93.11.17	WIRE CRIMP WIDTH	INS. CRIMP WIDTH	INSULATION RANGE	TITLE:	Ø 3.56 PIN TM'L-S
A	CAD REDRAWING	93-019	93.8.17	WBDW	IBDW	Ø 2.6-3.8	ENG.NO.	SD 35730-72*0
LTR	REVISION RECORD	ECN	DR/CHK	DATE	DIE FEED	APPL FEED	15.50	1 of 1
								REV B

8 7 6 5 4 3 2 1 MK-9