



Chipsmall Limited consists of a professional team with an average of over 10 year of expertise in the distribution of electronic components. Based in Hongkong, we have already established firm and mutual-benefit business relationships with customers from,Europe,America and south Asia,supplying obsolete and hard-to-find components to meet their specific needs.

With the principle of “Quality Parts,Customers Priority,Honest Operation,and Considerate Service”,our business mainly focus on the distribution of electronic components. Line cards we deal with include Microchip,ALPS,ROHM,Xilinx,Pulse,ON,Everlight and Freescale. Main products comprise IC,Modules,Potentiometer,IC Socket,Relay,Connector.Our parts cover such applications as commercial,industrial, and automotives areas.

We are looking forward to setting up business relationship with you and hope to provide you with the best service and solution. Let us make a better world for our industry!



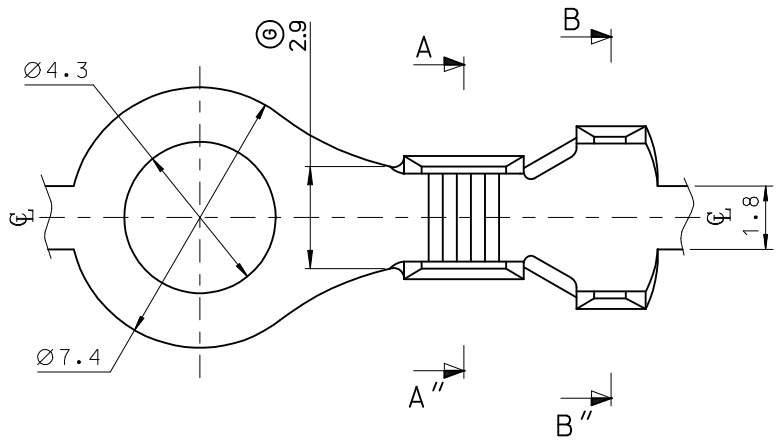
## Contact us

Tel: +86-755-8981 8866 Fax: +86-755-8427 6832

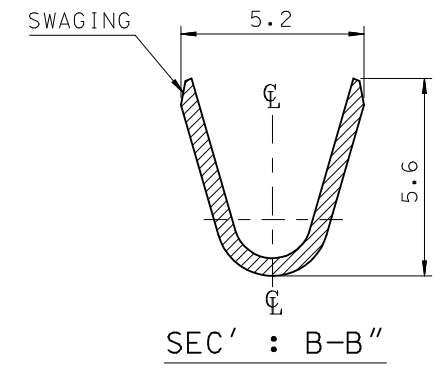
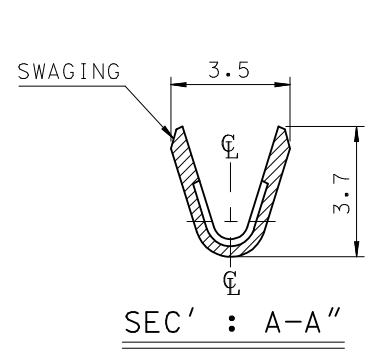
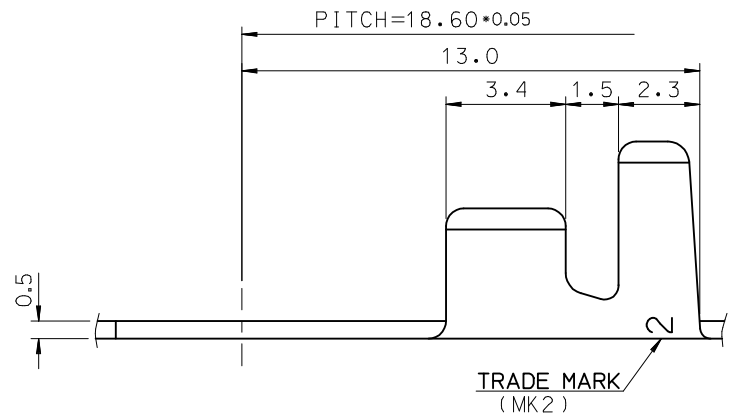
Email & Skype: info@chipsmall.com Web: www.chipsmall.com

Address: A1208, Overseas Decoration Building, #122 Zhenhua RD., Futian, Shenzhen, China





- NOTES
1. MATERIAL : BRASS , 0.5mm THICKNESS
  2. FINISH : 35750-1000 (UNPLATED)  
35750-1010 (PRE-PLATED TIN)  
(1.0 MICROMETER MIN. TIN OVER 0.3MICROMETER MIN. COPPER)  
35723-0804 (POST TIN PLATED, 1.0 MIROMETER MIN.)
  3. RECOMMENDED LENGTH OF WIRE STRIP IS 4.8-5.4mm.
  4. APPLICABLE WIRE : AWG #18-#14 (0.75-2.08mm<sup>2</sup>)  
INSULATION DIA. : Ø3.2mm MAX.



REVISED EC NO: KOR2013-0049 DRWN: JSSHIN 2012/12/03 CHKD: SHCHU 2012/12/03 APPR: YSKIM02 2012/12/13	QUALITY SYMBOLS ▽=0 ◻=0	GENERAL TOLERANCES (UNLESS SPECIFIED)		DIMENSION STYLE MM ONLY		SCALE 4:1	DESIGN UNITS METRIC	THIRD ANGLE PROJECTION	
		4 PLACES ± --- ± ---	3 PLACES ± --- ± ---	DRAWN BY JS. JANG	DATE 1997/02/04	TITLE 4.3 DIA. RING TERMINAL			
		2 PLACES ± 0.20 ± ---	1 PLACE ± 0.30 ± ---	CHECKED BY BK. CHOI	DATE 1997/02/04	molex			
		0 PLACE ± --- ± ---	ANGULAR ± 1 °	APPROVED BY CW. LEE	DATE 1997/02/04				
DRAFT WHERE APPLICABLE MUST REMAIN WITHIN DIMENSIONS		THIS DRAWING CONTAINS INFORMATION THAT IS PROPRIETARY TO MOLEX INCORPORATED AND SHOULD NOT BE USED WITHOUT WRITTEN PERMISSION							