



Chipsmall Limited consists of a professional team with an average of over 10 year of expertise in the distribution of electronic components. Based in Hongkong, we have already established firm and mutual-benefit business relationships with customers from,Europe,America and south Asia,supplying obsolete and hard-to-find components to meet their specific needs.

With the principle of "Quality Parts,Customers Priority,Honest Operation,and Considerate Service",our business mainly focus on the distribution of electronic components. Line cards we deal with include Microchip,ALPS,ROHM,Xilinx,Pulse,ON,Everlight and Freescale. Main products comprise IC,Modules,Potentiometer,IC Socket,Relay,Connector.Our parts cover such applications as commercial,industrial, and automotives areas.

We are looking forward to setting up business relationship with you and hope to provide you with the best service and solution. Let us make a better world for our industry!



Contact us

Tel: +86-755-8981 8866 Fax: +86-755-8427 6832

Email & Skype: info@chipsmall.com Web: www.chipsmall.com

Address: A1208, Overseas Decoration Building, #122 Zhenhua RD., Futian, Shenzhen, China



8 7 6 5 4 3 2 1

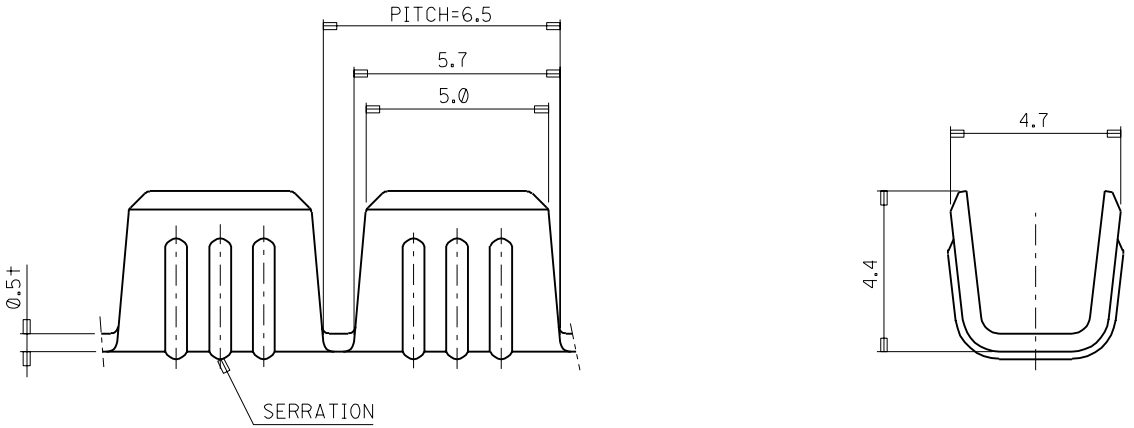
ENG. NO
SD 35760-5000

EDP NO.

SIMILAR ITEM

PROJECT NO.

DO NOT SCALE DRAWING
DIMENSION IN METRIC



		ASS'Y PART		QTY/REEL OR PACK	SURFACE AREA	MATERIAL	BRASS, 0.5t	WIRE RANGE	GENERAL TOLERANCES	molex MOLEX-KOREA CO.,LTD.	
		DESCRIPTION	ENG.NO.	///	/// MM ²	DIMENSION CLASSIFICATION		AWG:	DIM. : *0.3	REVISE ONLY ON CAD SYSTEM	
		///	///	DIE NO. ///	LAYOUT NO. ///	<input checked="" type="checkbox"/> : CRITICAL <input checked="" type="checkbox"/> : MAJOR <input type="checkbox"/> : MINOR () : REFERENCE		MM ² :	ANGLE :		
		///	///	WIRE CRIMP WIDTH ///	INS. CRIMP WIDTH ///	DRAWN BY	CHK'D BY	INSULATION RANGE	TITLE:	AK 3315 SPLICE	
A	CAD REDRAWING	94-003	94.5.19	///	///	W.Y.YANG			ENG.NO.	SD 35760-5000	1 of 1
LTR	REVISION RECORD	ECN	DR/CHK	DATE	DIE FEED	APPL FEED	WBDW ///	IBDW ///	APP'D BY	SCALE	8:1

8 7 6 5 4 3 2 1