



Chipsmall Limited consists of a professional team with an average of over 10 year of expertise in the distribution of electronic components. Based in Hongkong, we have already established firm and mutual-benefit business relationships with customers from,Europe,America and south Asia,supplying obsolete and hard-to-find components to meet their specific needs.

With the principle of “Quality Parts,Customers Priority,Honest Operation,and Considerate Service”,our business mainly focus on the distribution of electronic components. Line cards we deal with include Microchip,ALPS,ROHM,Xilinx,Pulse,ON,Everlight and Freescale. Main products comprise IC,Modules,Potentiometer,IC Socket,Relay,Connector.Our parts cover such applications as commercial,industrial, and automotives areas.

We are looking forward to setting up business relationship with you and hope to provide you with the best service and solution. Let us make a better world for our industry!



Contact us

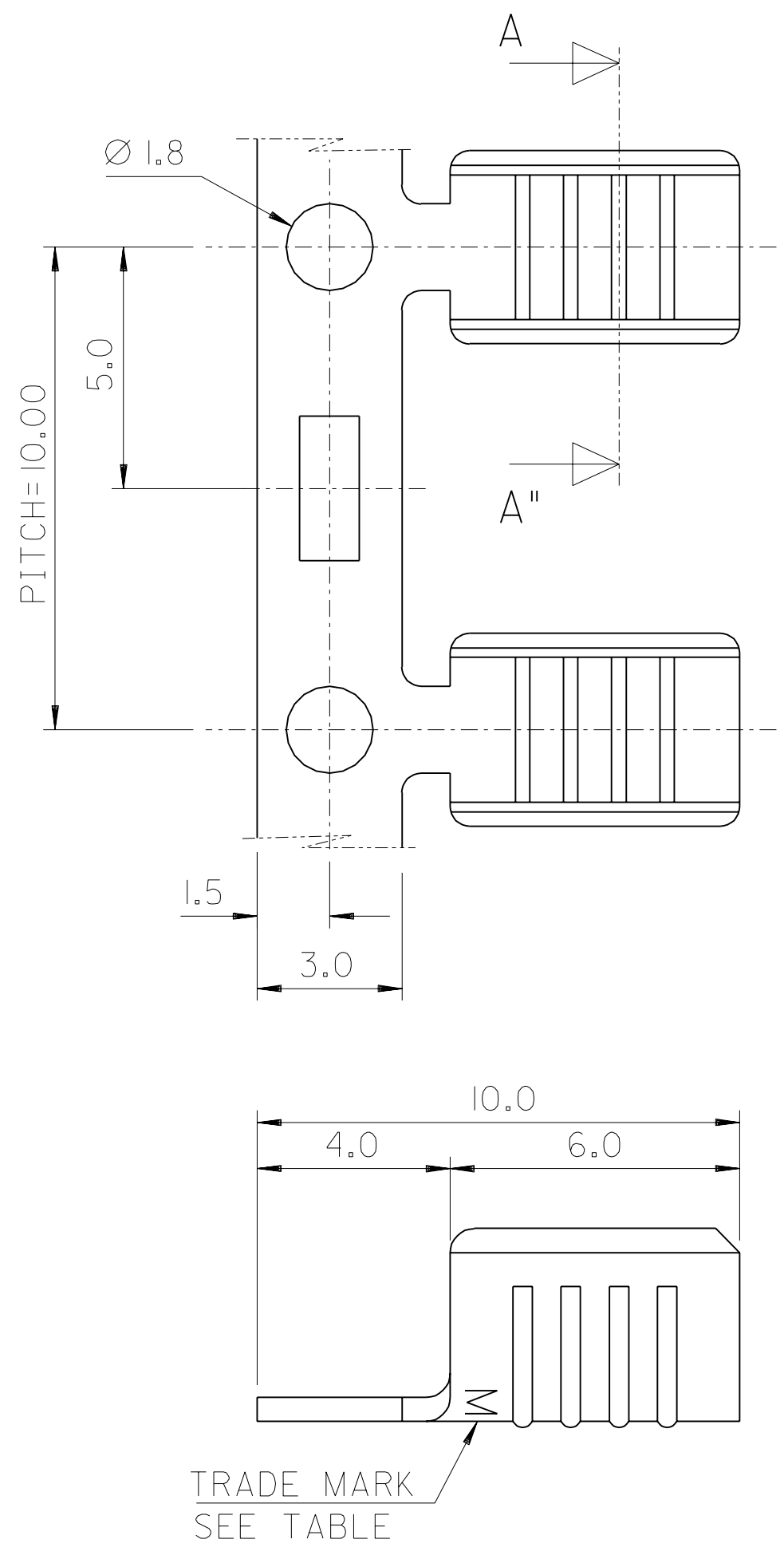
Tel: +86-755-8981 8866 Fax: +86-755-8427 6832

Email & Skype: info@chipsmall.com Web: www.chipsmall.com

Address: A1208, Overseas Decoration Building, #122 Zhenhua RD., Futian, Shenzhen, China



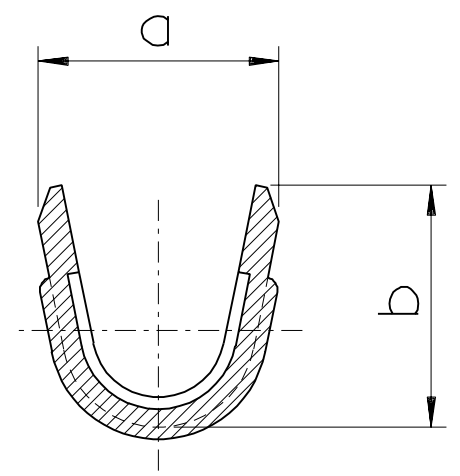
DWG. NO. SD 35760-7**0
 SIMILAR ITEM
 PROJECT NO.
 DO NOT SCALE DRAWING DIMENSION IN METRIC



NOTES

1. MATERIAL : BRASS , 0.5mm THICKNESS
2. PART NO.

PART NO.	DIM'S		FINISH	WIRE SIZE	MAT'L THICK'	TRADE MARK
	a	b				
35760-7100	3.3	3.3	UNPLATED	AWG #20-#16	0.5mm	MK2
35760-7110			POST PLATED TIN			
35760-7140			TIN-LEAD			
35760-7200	4.2	4.2	UNPLATED	AWG #16-#12	0.5mm	MK2
35760-7210			POST PLATED TIN			
35760-7240			TIN-LEAD			
35760-7205	4.2	4.2	POST PLATED TIN		0.4mm	MK24



REVISED	EC NO. DRWN: W.Y. YANG 01/11/15 CHK: APPR:	DESCRIPTION	QUALITY SYMBOLS	GENERAL TOLERANCES: (UNLESS SPECIFIED)		SCALE 8:1	DESIGN UNITS <input checked="" type="checkbox"/> mm <input type="checkbox"/> INCH	THIRD ANGLE PROJECTION <input checked="" type="checkbox"/>	DIMENSIONS: <input type="checkbox"/> mm <input type="checkbox"/> INCH <input checked="" type="checkbox"/> mm ONLY		SHT	REV
			MAJOR $\blacktriangledown = 0$ CRITICAL $\triangle = 0$	mm	INCH	DRAWN BY & DATE J.S.KANG 93/10/07		TITLE: WIRE SPLICE (S),(SM)		MATERIAL NO. SEE TABLE		DRAWING NO. SD-35760-7**0
B	REV		4 PLACES $\pm 0.$	$\pm .$	CHECKED BY & DATE B.K.CHOI 93/10/07		MOLEX INCORPORATED KOREA		DRAWING NO. SD-35760-7**0		SHEET NO. 10F1	SIZE B
			3 PLACES $\pm 0.$	$\pm .$	APPROVED BY & DATE C.W.LEE 93/10/07		CAD FILENAME S7607100.DGN		DRAWING NO. SD-35760-7**0		SHEET NO. 10F1	SIZE B
			2 PLACES ± 0.20	$\pm .$	DRAFT WHERE APPLICABLE MUST REMAIN WITHIN DIMENSIONS		THIS DRAWING CONTAINS INFORMATION THAT IS PROPRIETARY TO MOLEX INCORPORATED AND SHOULD NOT BE USED WITHOUT WRITTEN PERMISSION.		DRAWING NO. SD-35760-7**0		SHEET NO. 10F1	SIZE B
			1 PLACE ± 0.30	$\pm .$					DRAWING NO. SD-35760-7**0		SHEET NO. 10F1	SIZE B