



Chipsmall Limited consists of a professional team with an average of over 10 year of expertise in the distribution of electronic components. Based in Hongkong, we have already established firm and mutual-benefit business relationships with customers from,Europe,America and south Asia,supplying obsolete and hard-to-find components to meet their specific needs.

With the principle of “Quality Parts,Customers Priority,Honest Operation,and Considerate Service”,our business mainly focus on the distribution of electronic components. Line cards we deal with include Microchip,ALPS,ROHM,Xilinx,Pulse,ON,Everlight and Freescale. Main products comprise IC,Modules,Potentiometer,IC Socket,Relay,Connector.Our parts cover such applications as commercial,industrial, and automotives areas.

We are looking forward to setting up business relationship with you and hope to provide you with the best service and solution. Let us make a better world for our industry!



Contact us

Tel: +86-755-8981 8866 Fax: +86-755-8427 6832

Email & Skype: info@chipsmall.com Web: www.chipsmall.com

Address: A1208, Overseas Decoration Building, #122 Zhenhua RD., Futian, Shenzhen, China

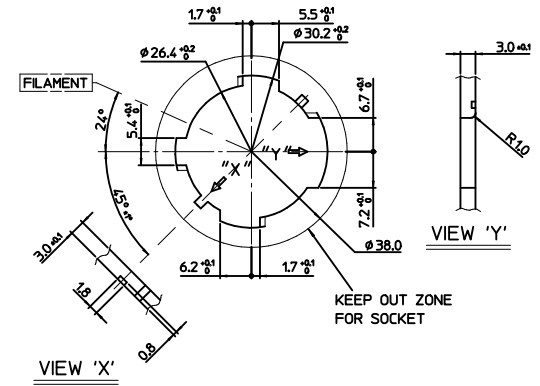
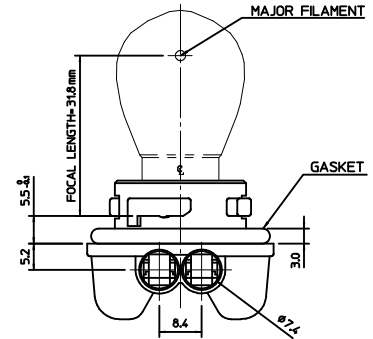
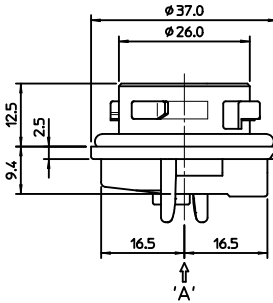
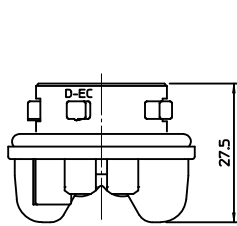
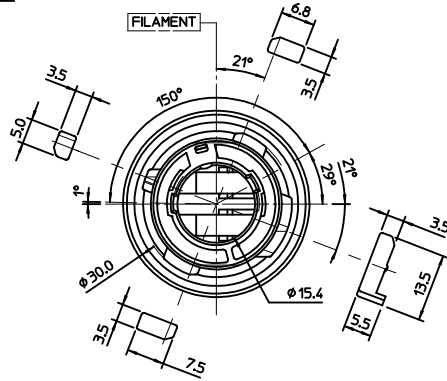
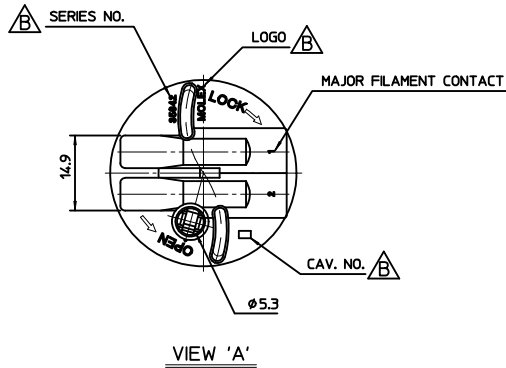


- NOTES
 1. FOCAL LENGTH = 31.8mm
 2. PRODUCT SPECIFICATION: PS-35842-001
 3. APPLICABLE BULB CAP: P21/4W(BAZ15d)
 4. MATES WITH

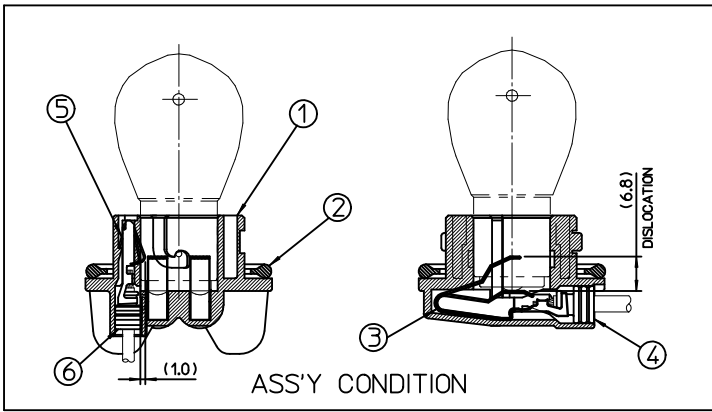
<PART LIST>

NO.	DESCRIPTION	MATERIAL	USAGE	REMARK
①	DOUBLE SOCKET	PA66 M/F	1	EC TYPE
②	SEAL GASKET	NBR	1	BLACK

NO.	DESCRIPTION	MATERIAL	ORDER NO.	REMARK
③	POSITIVE TERMINAL	PHOSPHOR BRONZE	35464-8000	UNPLATED
④	POSITIVE WIRE SEAL	SILICONE	35903-0096	BROWN
⑤	EARTH TERMINAL	PHOSPHOR BRONZE	35465-8000	UNPLATED
⑥	EARTH WIRE SEAL	SILICONE	35903-0106	BLUE



MOUNTING INTERFACE
(MI-4)



<TABLE 1>

MATERIAL NO.	ORDER NO.	COLOR
358421330	35842-1330	NATURAL
358421335	35842-1335	GRAY

QUALITY SYMBOLS
 ▽=0
 ∇=0

GENERAL TOLERANCES (UNLESS SPECIFIED)	mm		INCH	
	mm	INCH	mm	INCH
4 PLACES	± ---	± ---		
3 PLACES	± 0	± ---		
2 PLACES	± 0.15	± ---		
1 PLACE	± 0.25	± ---		
ANGULAR ± 2 °				

DRAFT WHERE APPLICABLE
 MUST REMAIN
 WITHIN DIMENSIONS

DIMENSION STYLE		SCALE	DESIGN UNITS	THIRD ANGLE PROJECTION
MM ONLY		1:1	METRIC	⊙ □
DRAWN BY	DATE	TITLE		
EOKIM	2009/07/20	SEALED PT BULB SOCKET DOUBLE HOUSING ASS'Y (EC-TYPE)		
CHECKED BY	DATE	MOLEX INCORPORATED		
BCYOON	2009/07/20			
APPROVED BY	DATE	DOCUMENT NO.		
EHJUNG	2009/07/20	SD-35842-003		

MATERIAL NO. SEE TABLE 1

SIZE A3

THIS DRAWING CONTAINS INFORMATION THAT IS PROPRIETARY TO MOLEX INCORPORATED AND SHOULD NOT BE USED WITHOUT WRITTEN PERMISSION