



Chipsmall Limited consists of a professional team with an average of over 10 year of expertise in the distribution of electronic components. Based in Hongkong, we have already established firm and mutual-benefit business relationships with customers from,Europe,America and south Asia,supplying obsolete and hard-to-find components to meet their specific needs.

With the principle of “Quality Parts,Customers Priority,Honest Operation,and Considerate Service”,our business mainly focus on the distribution of electronic components. Line cards we deal with include Microchip,ALPS,ROHM,Xilinx,Pulse,ON,Everlight and Freescale. Main products comprise IC,Modules,Potentiometer,IC Socket,Relay,Connector.Our parts cover such applications as commercial,industrial, and automotives areas.

We are looking forward to setting up business relationship with you and hope to provide you with the best service and solution. Let us make a better world for our industry!



## Contact us

Tel: +86-755-8981 8866 Fax: +86-755-8427 6832

Email & Skype: info@chipsmall.com Web: www.chipsmall.com

Address: A1208, Overseas Decoration Building, #122 Zhenhua RD., Futian, Shenzhen, China

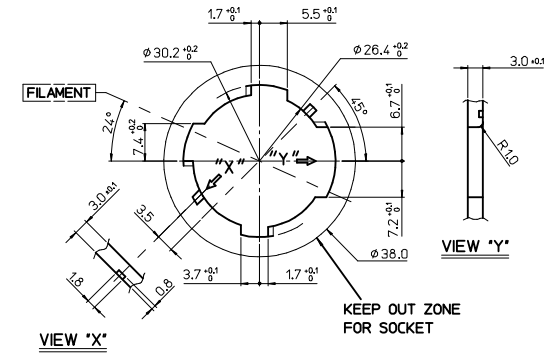
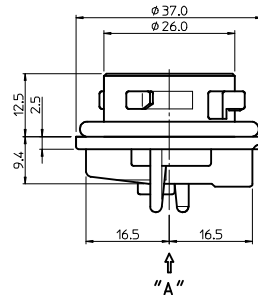
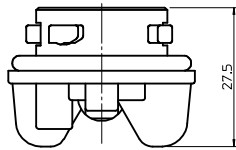
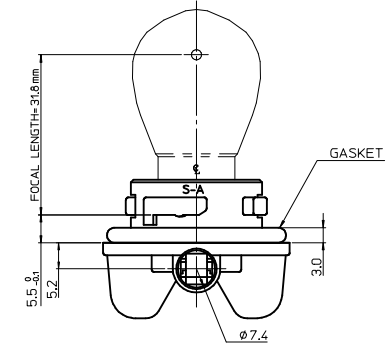
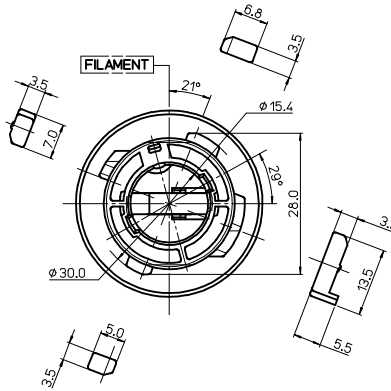
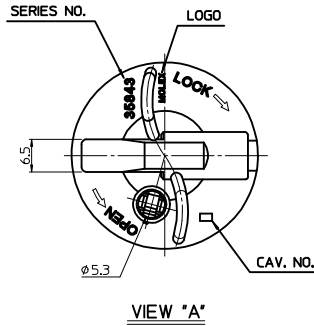


NOTES  
 1. FOCAL LENGTH =31.8mm  
 2. PRODUCT SPECIFICATION: PS-35842-001  
 3. APPLICABLE BULB CAP: P21W(BA15s)  
 4. MATES WITH

<PART LIST>

NO.	DESCRIPTION	MATERIAL	USAGE	REMARK
①	SINGLE SOCKET	PA66 M/F	1	A TYPE
②	SEAL GASKET	NBR	1	BLACK

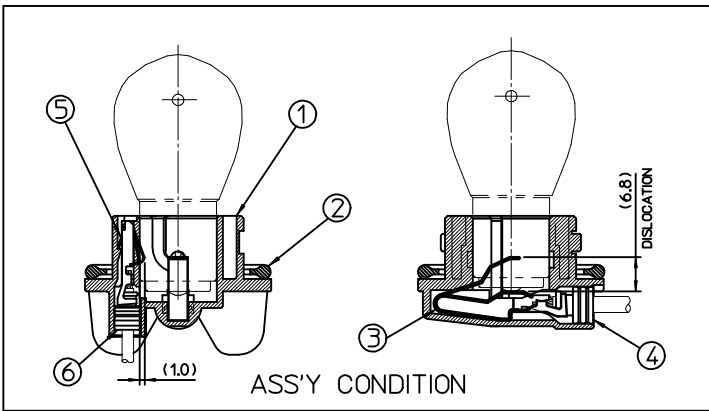
NO.	DESCRIPTION	MATERIAL	ORDER NO.	REMARK
③	POSITIVE TERMINAL	PHOSPHOR BRONZE	35464-8000	UNPLATED
④	POSITIVER WIRE SEAL	SILICONE	35903-0096	BROWN
⑤	EARTH TERMINAL	PHOSPHOR BRONZE	35465-8000	UNPLATED
⑥	EARTH WIRE SEAL	SILICONE	35903-0106	BLUE



MOUNTING INTERFACE (MI-1)

<TABLE 1>

MATERIAL NO.	ORDER NO.	COLOR
358431201	35843-1201	BLACK
358431205	35843-1205	GRAY
358431206	35843-1206	WHITE



QUALITY SYMBOLS	GENERAL TOLERANCES (UNLESS SPECIFIED)		DRAWN BY		DATE	TITLE
	mm	INCH	YSIKKIM	1999/05/13	SEALD PT BULB SOCKET SINGLE HOUSING ASS'Y (A-TYPE)	
▽=0	4 PLACES ± ---	± ---	CHECKED BY	DATE		
▽=0	3 PLACES ± ---	± ---	BKCHOI	1999/05/13		
	2 PLACES ± 0.15	± ---	APPROVED BY	DATE		
	1 PLACE ± 0.25	± ---	CWLEE	1999/05/13		
	ANGULAR ± 2 °		MATERIAL NO.		DOCUMENT NO.	
	DRAFT WHERE APPLICABLE MUST REMAIN WITHIN DIMENSIONS		SEE TABLE 1		SD-35843-001	

DIMENSION STYLE	SCALE	DESIGN UNITS	THIRD ANGLE PROJECTION
MM ONLY	1:1	METRIC	THIRD ANGLE PROJECTION
DRAWN BY		DATE	
YSIKKIM		1999/05/13	
CHECKED BY		DATE	
BKCHOI		1999/05/13	
APPROVED BY		DATE	
CWLEE		1999/05/13	
MATERIAL NO.		DOCUMENT NO.	SHEET NO.
SEE TABLE 1		SD-35843-001	1 OF 1
THIS DRAWING CONTAINS INFORMATION THAT IS PROPRIETARY TO MOLEX INCORPORATED AND SHOULD NOT BE USED WITHOUT WRITTEN PERMISSION			