



Chipsmall Limited consists of a professional team with an average of over 10 year of expertise in the distribution of electronic components. Based in Hongkong, we have already established firm and mutual-benefit business relationships with customers from,Europe,America and south Asia,supplying obsolete and hard-to-find components to meet their specific needs.

With the principle of “Quality Parts,Customers Priority,Honest Operation,and Considerate Service”,our business mainly focus on the distribution of electronic components. Line cards we deal with include Microchip,ALPS,ROHM,Xilinx,Pulse,ON,Everlight and Freescale. Main products comprise IC,Modules,Potentiometer,IC Socket,Relay,Connector.Our parts cover such applications as commercial,industrial, and automotives areas.

We are looking forward to setting up business relationship with you and hope to provide you with the best service and solution. Let us make a better world for our industry!



Contact us

Tel: +86-755-8981 8866 Fax: +86-755-8427 6832

Email & Skype: info@chipsmall.com Web: www.chipsmall.com

Address: A1208, Overseas Decoration Building, #122 Zhenhua RD., Futian, Shenzhen, China

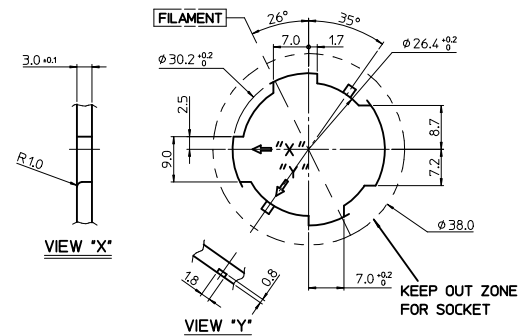
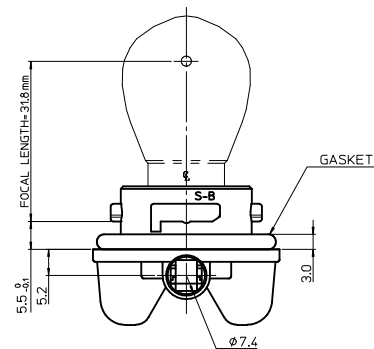
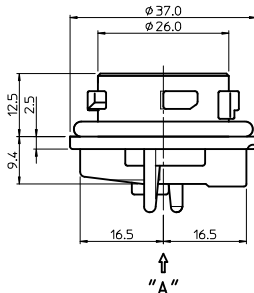
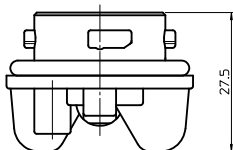
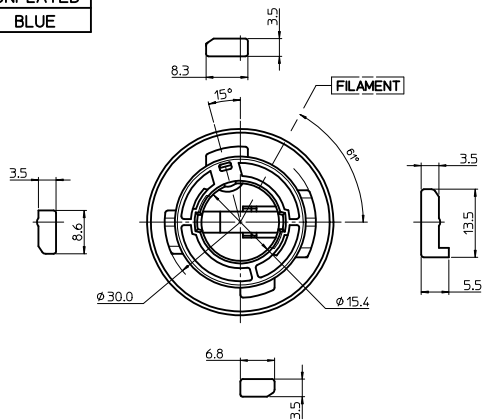
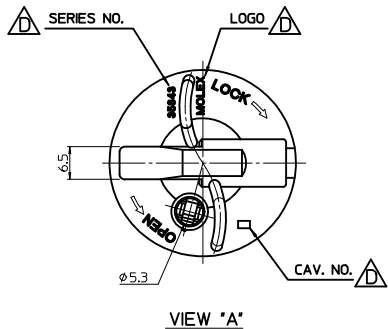


- NOTES
 1. FOCAL LENGTH =31.8mm
 2. PRODUCT SPECIFICATION: PS-35842-001
 3. APPLICABLE BULB CAP: P21W(BA15s)
 4. MATES WITH

NO.	DESCRIPTION	MATERIAL	ORDER NO.	REMARK
③	POSITIVE TERMINAL	PHOSPHOR BRONZE	35464-8000	UNPLATED
④	POSITIVER WIRE SEAL	SILICONE	35903-0096	BROWN
⑤	EARTH TERMINAL	PHOSPHOR BRONZE	35465-8000	UNPLATED
⑥	EARTH WIRE SEAL	SILICONE	35903-0106	BLUE

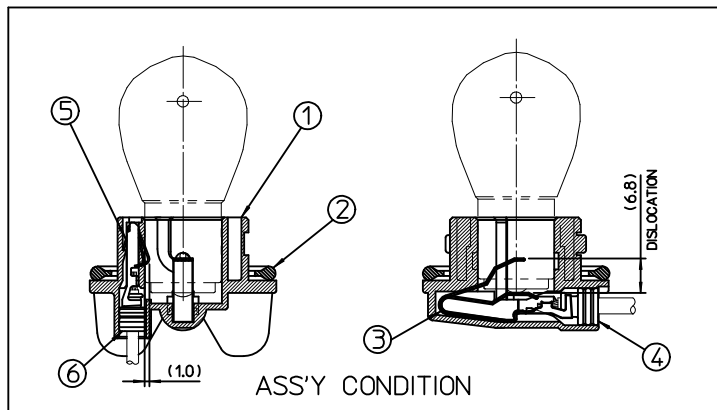
<PART LIST>

NO.	DESCRIPTION	MATERIAL	USAGE	REMARK
①	SINGLE SOCKET	PA66 M/F	1	B TYPE
②	SEAL GASKET	NBR	1	BLACK



<TABLE 1>

MATERIAL NO.	ORDER NO.	COLOR
358431210	35843-1210	NATURAL
358431211	35843-1211	BLACK
358431215	35843-1215	GRAY
358431216	35843-1216	WHITE
358431217	35843-1217	BROWN



REVISED	EC NO: KOR2010-0146	2010/04/05	DRW:NEOKIM	2010/04/05	CHKD:WYANG	2010/04/06	APPR:YUNSIKIM	2010/04/06
D	DESCRIPTION							

GENERAL TOLERANCES (UNLESS SPECIFIED)	mm	INCH
	4 PLACES	± ---
3 PLACES	± ---	± ---
2 PLACES	± 0.15	± ---
1 PLACE	± 0.25	± ---
ANGULAR ± 2 °		

DIMENSION STYLE		SCALE	DESIGN UNITS	THIRD ANGLE PROJECTION
MM ONLY		1:1	METRIC	☉
DRAWN BY	DATE	TITLE		
YSIKKIM	1999/06/30	SEALED PT BULB SOCKET SINGLE HOUSING ASS'Y (B-TYPE)		
CHECKED BY	DATE	MOLEX INCORPORATED		
BKCHOI	1999/06/30	DOCUMENT NO. SD-35843-002		
APPROVED BY	DATE	SHEET NO. 1 OF 1		
CWLEE	1999/06/30			
MATERIAL NO.		THIS DRAWING CONTAINS INFORMATION THAT IS PROPRIETARY TO MOLEX INCORPORATED AND SHOULD NOT BE USED WITHOUT WRITTEN PERMISSION		
SEE TABLE 1				
SIZE				
A3				